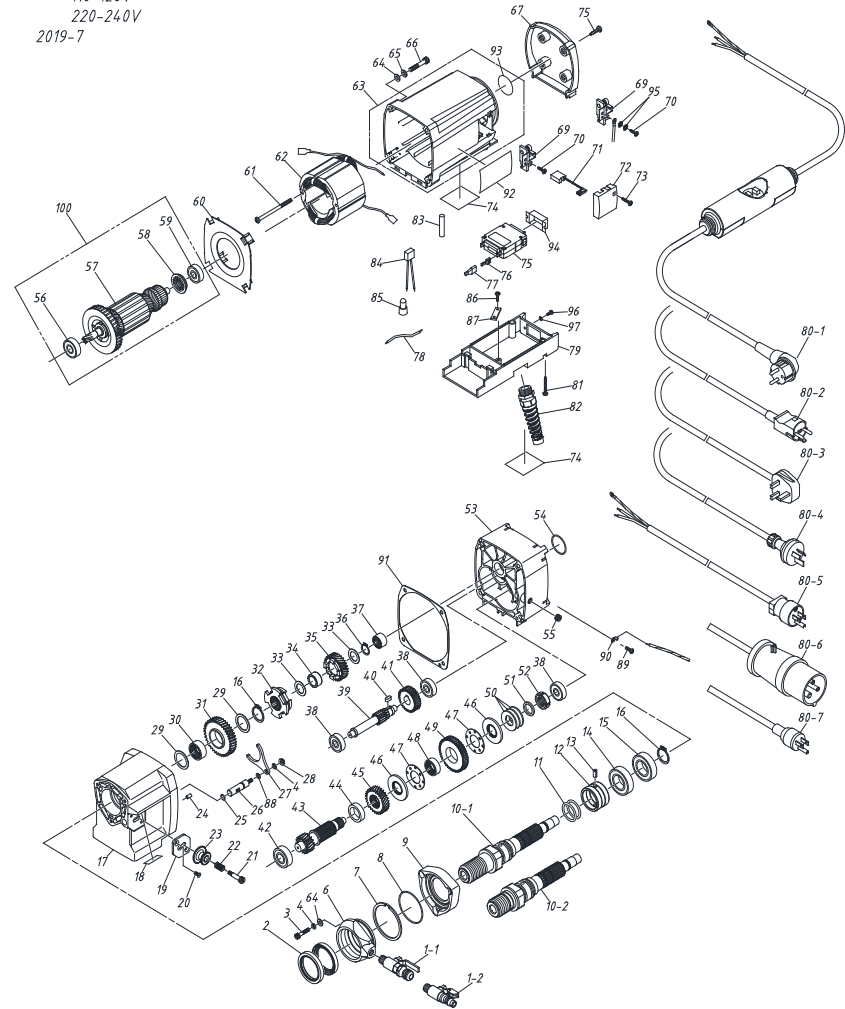


H2021 110-120V/220-240V SPARE PARTS PRICE LIST WITH PRICE 1/2

2019/9/27

| POS | PART NAME | NOTE | QTY | CPT CODE | Compatibility with R2021 |
|------|------------------------|----------------|-----|----------|--------------------------|
| 1-1 | WATER COCK-GARDENA | | 1 | 044137 | YES |
| 1-2 | WATER COCK-SHIBUYA | 1/4-φ16 | 1 | 000061 | YES |
| 2 | OIL SEAL | HMSA42557(SUS) | 2 | 042178 | YES |
| 3 | HEX. SOCKET BOLT | M5×25 | 3 | 042179 | YES |
| 4 | SPRING WASHER | 5 | 4 | 042180 | YES |
| 6 | SWIVEL RING | | 1 | 051922 | YES (Color is changed) |
| 7 | SNAP RING | SA63 | 1 | 005085 | YES |
| 8 | O-RING | S55 | 1 | 042182 | YES |
| 9 | FIXING RING | | 1 | 051923 | YES (Color is changed) |
| 10-1 | SPINDLE (U) | | 1 | 042728 | YES |
| 10-2 | SPINDLE (A) | | 1 | 042727 | YES |
| 11 | O-RING | P28 | 2 | 000070 | YES |
| 12 | SEAL RING | | 1 | 042139 | YES |
| 13 | SPRING PIN | 6×12AW(SUS) | 1 | 000004 | YES |
| 14 | BALL BEARING | 6005DDU | 1 | 001694 | YES |
| 15 | BALL BEARING | 6005ZZ | 1 | 041710 | YES |
| 16 | SNAP RING-C | 25 | 2 | 000689 | YES |
| 17 | GEAR CASE | | 1 | 051941 | YES (Color is changed) |
| 18 | SHIFT POSITION STICKER | | 1 | 042186 | YES |
| 19 | PLATE | | 1 | 042187 | YES |
| 20 | SCREW COUNTERSUNK | M4×10 | 2 | 000712 | YES |
| 21 | STRIPPER BOLT | MSB6.5-20 | 1 | 006509 | YES |
| 22 | COIL SPRING | | 1 | 000171 | YES |
| 23 | KNOB | | 1 | 043060 | YES |
| 24 | PARARREL PIN | A5×10 | 1 | 006559 | YES |
| 25 | O-RING | P8 | 1 | 042190 | YES |
| 26 | GEAR CHANGE SHAFT | | 1 | 042191 | YES |
| 27 | LEVER | | 1 | 044746 | YES |
| 28 | U-NUT FLANGED | M5 | 1 | 042193 | YES |
| 29 | SHIM RING | | 2 | 042194 | YES |
| 30 | METAL | | 1 | 042195 | YES |
| 31 | NO. 8 GEAR | | 1 | 051933 | NO |
| 32 | CLUTCH NO.3 | | 1 | 051946 | NO |
| 33 | SHIM RING | | 2 | 042199 | YES |
| 34 | METAL | | 1 | 042200 | YES |
| 35 | NO. 6 GEAR | | 1 | 042732 | YES |
| 36 | SNAP RING-C | 17 | 1 | 000272 | YES |
| 37 | NEEDLE BEARING | TA 1512 Z | 1 | 004630 | YES |
| 38 | BALL BEARING | 6200ZZ | 3 | 000030 | YES |
| 39 | NO. 3 GEAR | | 1 | 051939 | NO |
| 40 | PARARREL KEY | 5×5×12 | 1 | 042872 | YES |
| 41 | NO. 2 GEAR | | 1 | 042734 | YES |
| 42 | BALL BEARING | 6202ZZ | 1 | 000300 | YES |
| 43 | NO. 7 GEAR | | 1 | 051934 | NO |
| 44 | RING | | 1 | 006514 | YES |
| 45 | NO. 5 GEAR | | 1 | 042736 | YES |
| 46 | CLUTCH | | 2 | 042737 | YES |
| 47 | WASHER | | 2 | 042738 | YES |
| 48 | METAL | | 1 | 042739 | YES |
| 49 | NO. 4 GEAR | | 1 | 051940 | NO |

H2021 100V
110-120V
220-240V
2019-7



| | | | | | |
|----|--------------------|---------|---|--------|------------------------|
| 50 | SPRING PLATE | MDS18-2 | 3 | 000014 | YES |
| 51 | RING | | 1 | 006520 | YES |
| 52 | TWIN FU NUT | TFU03SC | 1 | 041776 | YES |
| 53 | BALL BEARING COVER | | 1 | 051947 | YES (Color is changed) |
| 54 | O-RING | S32 | 1 | 005389 | YES |

H2021 110-120V/220-240V SPARE PARTS PRICE LIST WITH PRICE 2/2

| POS | PART NAME | NOTE | QTY | CPT CODE | Compatibility with R2021 |
|------|--------------------------------|-------------------|-----|----------|--------------------------|
| 55 | HEX SOCKET PLUG | 1/8 | 1 | 005386 | YES |
| 56 | BALL BEARING | 6201HP | 1 | 045618 | YES |
| 57-1 | ARMATURE 220-240V | | 1 | | |
| 57-2 | ARMATURE 110-120V | | 1 | | |
| 57-3 | ARMATURE 100V | | 1 | 052497 | YES |
| 58 | COLLAR | | 1 | 042152 | YES |
| 59 | BALL BEARING | 6200DDW | 1 | 045620 | YES |
| 60 | FAN CASING | | 1 | 043080 | YES |
| 61-1 | TAPPING SCREW PANHEAD | 5 × 85 220-240V | 2 | 043081 | YES |
| 61-2 | TAPPING SCREW PANHEAD | 5 × 80 110-120V | 2 | 042682 | YES |
| 62-1 | FIELD COIL 220-240V | | 1 | 052595 | NO |
| 62-2 | FIELD COIL 110-120V | | 1 | 045979 | YES |
| 62-3 | FIELD COIL 100V | | 1 | 043079 | YES |
| 63 | MOTOR HOUSING W/DUSTPROOF SEAL | | 1 | 051948 | YES (See NOTE) |
| 64 | WASHER | ROUND 6 | 7 | 042157 | YES |
| 65 | SPRING WASHER | 2-6 | 4 | 042158 | YES |
| 66 | HEX SOCKET BOLT | M6 × 90 | 4 | 042744 | YES |
| 67 | TAIL COVER | | 1 | 051949 | YES (Color is changed) |
| 68 | TAPPING SCREW PANHEAD | 5 × 20 | 4 | 042161 | YES |
| 69 | BRUSH HOLDER | | 2 | 042162 | YES |
| 70 | SCREW TRUSS PC | 4 × 14 | 2 | 042163 | YES |
| 71 | CARBON BRUSH | | 2 | 049626 | YES |
| 72 | BRUSH COVER | | 2 | 051929 | YES (Color is changed) |
| 73 | TAPPING SCREW PANHEAD | 4 × 20 | 2 | 042166 | YES |
| 74-1 | MOTOR NAME PLATE 220-240V | | 2 | | |
| 74-2 | MOTOR NAME PLATE 110-120V | | 2 | | |
| 74-3 | MOTOR NAME PLATE 100V | | 2 | | |
| 75-1 | CIRCUIT PROTECTOR 220-240V | NRAR1100-15AAA | 1 | 001944 | NO |
| 75-2 | CIRCUIT PROTECTOR 110-120V | NRAR1100-22ADA | 1 | 051759 | YES |
| 75-3 | CIRCUIT PROTECTOR 100V | NRAR1100-30ADA | 1 | 044977 | NO |
| 76 | FASTEN TERMINAL | | 2 | 000057 | YES |
| 77 | CAP | | 2 | 000056 | YES |
| 78-1 | LEAD WIRE | 110-120V/220-240V | 1 | 043135 | YES |
| 78-2 | LEAD WIRE | 100V | 2 | 043097 | NO |
| 79 | SWITCH BOX | | 1 | 043492 | YES |
| 80-1 | PLUG WITH CABLE & PRCD | 220-240V EU/ASIA | 1 | 042218 | YES |
| 80-2 | PLUG WITH CABLE & PRCD | 220-240V DK | 1 | 042783 | YES |
| 80-3 | PLUG WITH CABLE & PRCD | 220-240V SA | 1 | 050972 | YES |
| 80-4 | PLUG WITH CABLE & PRCD | 220-240V AU | 1 | 051170 | YES |
| 80-5 | PLUG WITH CABLE | 110-120V US | 1 | 042781 | YES |
| 80-6 | PLUG WITH CABLE | 110V UK | 1 | 053048 | NO |
| 80-7 | PLUG WITH CABLE | 100V TW | 1 | 045969 | YES |
| 81 | SCREW HANHEAD B TIGHT | 4 × 30 | 2 | 042171 | YES |
| 82 | CABLE SLEEVE | 5311 1720 | 1 | 052825 | NO |
| 83 | INSULATION TUBE | φ 8 × 40 | 1 | 042174 | YES |
| 84 | CONDENSER | 0.1 μF | 1 | 000059 | YES |

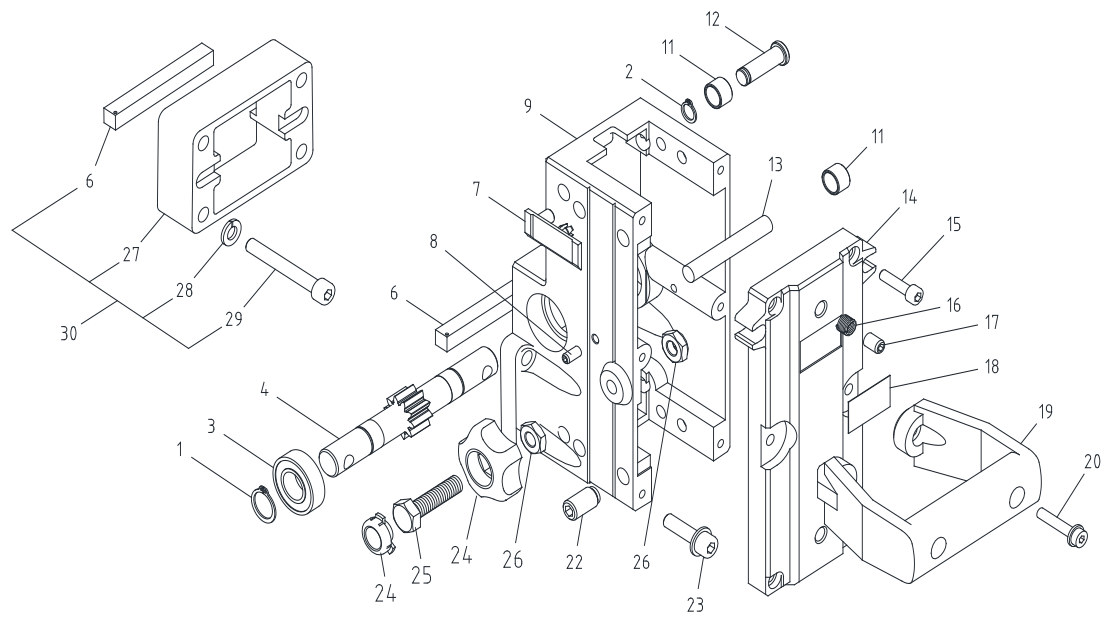
| | | | | | |
|-------|------------------------|---------------------------|---|--------|-----|
| 85-1 | CLOSED-END CONNECTOR | 5.5SD / 110-120V/220-240V | 2 | 000055 | YES |
| 85-2 | CLOSED-END CONNECTOR | 5.5SD / 100V | 3 | 000055 | YES |
| 86 | TAPPING SCREW PANHEAD | 4 × 16 | 2 | 005495 | YES |
| 87 | CORD FIXER | 6560067 | 1 | 042177 | YES |
| 88 | COLLAR | | 1 | 051950 | NO |
| 89 | SCREW PANHEAD W/SW | M4 × 10 | 1 | 000690 | YES |
| 90 | TERMINAL w/ INSULATION | FVD2-M4 | 1 | 045679 | NO |
| 91 | RUBBER GASKET | | 1 | 044737 | YES |
| 92 | LABEL | | 1 | 052180 | NO |
| 93 | DUSTPROOF SEAL | | 1 | 052033 | NO |
| 94 | DUST COVER | NRAR | 1 | 000131 | YES |
| 95 | TOOTHED WASHER | TW ONLY | 2 | 043085 | YES |
| 96 | SCREW PANHEAD W/SW | M3 × 8 | 2 | 043093 | YES |
| 97 | WASHER | 3 | 2 | 043094 | YES |
| 100-1 | ARMATURE ASSY 220-240V | 56+57+58+59 | 1 | 052594 | NO |
| 100-2 | ARMATURE ASSY 110-120V | 56+57+58+59 | 1 | 045983 | YES |
| 100-3 | ARMATURE ASSY 100V | 56+57+58+59 | 1 | 052498 | NO |

CARRIAGE BLOCK FOR H2021 SPARE PARTS LIST WITH PRICE

2019/9/3

| POS | PART NAME | NOTE | QTY | CPT CODE | Compatibility with TS-252 C.B. |
|-----|-------------------------------|------------------|-----|----------|--------------------------------|
| 1 | SNAP RING-C | 17 | 2 | 000272 | YES |
| 2 | SNAP RING-C | 10 | 2 | 041411 | NO |
| 3 | BALL BEARING | 6003-2VU | 2 | 048379 | YES |
| 4 | PINION GEAR | | 1 | 051988 | YES (See NOTE) * |
| 6 | PARALLEL KEY | | 2 | 042637 | YES |
| 7 | SLIDING PLATE | | 2 | 042125 | YES |
| 8 | HEX SOCKET SCREW | M6 x 12 | 2 | 042123 | YES |
| 9 | CARRIAGE BODY | | 1 | 052020 | NO |
| 11 | ROLLER WITH BUSH | | 8 | 049273 | YES |
| 12 | ROLLER SHAFT(F) | | 4 | 052005 | NO |
| 13 | ROLLER SHAFT(R) | | 2 | 042129 | YES |
| 14 | BACK COVER | | 1 | 042634 | YES |
| 15 | HEX. SOCKET BOLT | M6 x 25 | 4 | 042131 | YES |
| 16 | HELISERT | M8 x 1D | 2 | 000458 | YES |
| 17 | HEX. SOCKET SCREW | M8 x 12 | 2 | 042130 | YES |
| 18 | WEIGHT LABEL (CARRIAGE BLOCK) | | 1 | | |
| 19 | GRIP HANDLE (RESIN) | | 1 | 042133 | YES |
| 20 | HEX. SOCKET BOLT FLANGED | M6 x 30 | 2 | 042132 | YES |
| 22 | HEX. SOCKET SCREW | | 4 | 042126 | YES |
| 23 | HEX. SOCKET BOLT w/SW | M8 x 30 | 4 | 042391 | YES |
| 24 | STOPPER-KNOB | M10 | 1 | 042268 | YES |
| 25 | HEX. BOLT | M10 x 40(COPPER) | 1 | 042267 | YES |
| 26 | U-NUT | 3-M10 | 2 | 043045 | YES |
| 27 | 30MM SPACER BODY | | 1 | 052024 | YES (Color is changed) |
| 28 | SPRING WASHER | 2-8 | 4 | 042824 | YES |
| 29 | HEX. SOCKET BOLT | M8 X 60 | 4 | 042823 | YES |
| 30 | 30MM SPACER SET | | 1 | 052023 | YES (Color is changed) |
| | CARRIAGE BLOCK CPL. | excl. POS. 30 | 1 | 052910 | YES (Color is changed) |

*NOTE: Attach #042121 Cover between Pos.1 Snap Ring-C and Pos.3 Ball Bearing when #042120 Pinion Gear is used.

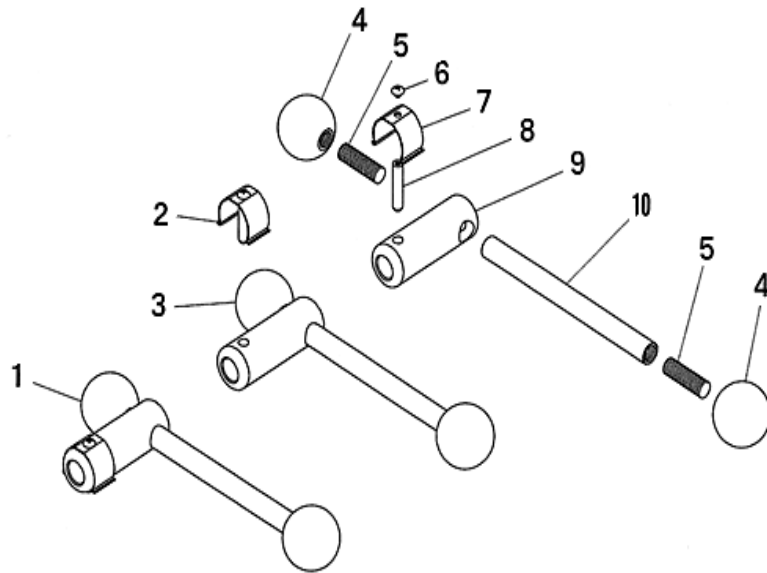


TS-255 QUICK RELEASE HANDLE SPARE PARTS LIST WITH PRICE

2019/9/3

| POS | PART NAME | NOTE | QTY | CPT CODE | Compatibility with TS-252 Q.R.Handle |
|-----|-------------------------------|-------------|-----|----------|--------------------------------------|
| 1 | Q.R. HANDLE CPL. (AL) | | 1 | 042076 | YES |
| 2 | RETAINER COMPLETE | | 1 | 006095 | YES |
| 3 | Q.R. HANDLE (AL) w/o RETAINER | | 1 | 042112 | YES |
| 4 | GRIP BALL DIA. 45 | | 2 | 042113 | YES |
| 5 | THREADED BOLT | M12 × 40 | 2 | 042116 | YES |
| 6 | SCREW | M5 × 6(SUS) | 1 | 006091 | YES |
| 7 | SPRING | | 1 | 006092 | YES |
| 8 | PIN | | 1 | 006093 | YES |
| 9 | HANDLE BODY (AL) | | 1 | 042115 | YES |
| 10 | HANDLE ROD (AL) | | 1 | 042114 | YES |

NOTE: No change.



TS-255 FIXED BASE AND COLUMN 800L/1000L SPARE PARTS LIST WITH PRICE

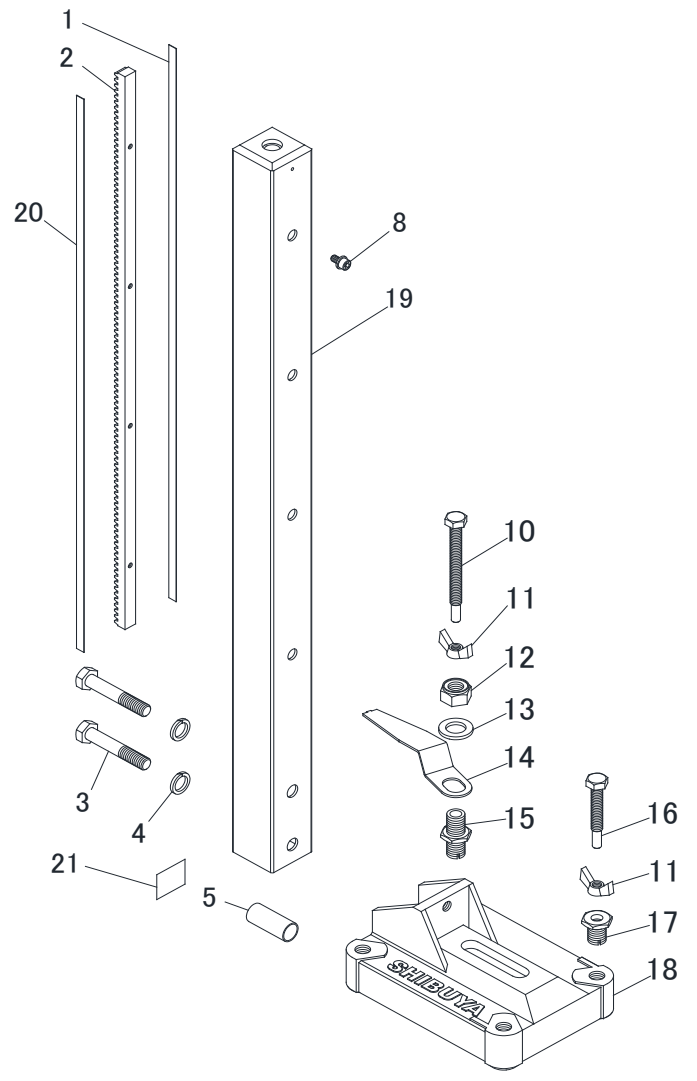
COLUMN

2019/9/3

| POS | PART NAME | NOTE | QTY | CPT CODE | Compatibility with TS-252 Column |
|-----|------------------------------|-----------------|---------------|----------|----------------------------------|
| 1 | DEPTH GAUGE DECAL (mm) | | 1 | 000520 | YES |
| 2 | RACK GEAR 800L | | 1 | 004688 | YES |
| 2 | RACK GEAR 1000L | | 1 | 004670 | YES |
| 5 | PIPE BOSS | | 2 | 005164 | YES |
| 8 | HEX. SOCKET BOLT | M6 X 12 | 4 (FOR 800L) | 004672 | YES |
| | | | 6 (FOR 1000L) | | YES |
| 19 | COLUMN 800L | | 1 | 041944 | YES |
| 19 | COLUMN 1000L | | 1 | 002046 | YES |
| 20 | DEPTH GAUGE DECAL (inch) | US VERSION ONLY | 1 | 044497 | YES |
| 21 | WEIGHT LABEL (TS-255 800L) | | 1 | | |
| 21 | WEIGHT LABEL (TS-255 1000L) | | 1 | | |
| | COLUMN CPL. 800L | | 1 | 005659 | YES |
| | COLUMN CPL. 800L US VERSION | | 1 | 051678 | YES |
| | COLUMN CPL. 1000L | | 1 | 051679 | YES |
| | COLUMN CPL. 1000L US VERSION | | 1 | 051680 | YES |

BASE

| POS | PART NAME | NOTE | QTY | CPT CODE | Compatibility with TS-252 Base |
|-----|------------------|----------|-----|----------|--------------------------------|
| 3 | HEX. BOLT | M12 x 70 | 2 | 042650 | YES |
| 4 | SPRING WASHER | 2-12 | 2 | 042098 | YES |
| 10 | LEVELING BOLT(F) | | 2 | 042648 | YES |
| 11 | HEX. NUT | 1-W1/2 | 4 | 042651 | YES |
| 12 | U-NUT | 1-M20 | 2 | 042825 | YES |
| 13 | PLAIN WASHER | 20 | 2 | 042656 | YES |
| 14 | BEAM | | 2 | 042657 | YES |
| 15 | HEX. BOSS (F) | | 2 | 042652 | YES |
| 16 | LEVELING BOLT(R) | | 2 | 042649 | YES |
| 17 | HEX. BOSS (R) | | 2 | 042653 | YES |
| 18 | BASE PLATE | | 1 | 042646 | YES |
| | TS-255 BASE CPL. | | 1 | 042644 | YES |



AB52 SWIVEL BASE AND COLUMN L1000 SPARE PARTS LIST WITH PRICE

COLUMN

03.09.2019

| POS | PART NAME | NOTE | QTY | CPT CODE | Compatibility with TS-252 Column |
|-----|------------------------------|-----------------|-----|----------|----------------------------------|
| 5 | HEX. SOCKET BOLT W/SW | M6 x 12 | 6 | 004672 | YES |
| 6 | INDICATION LABEL | | 1 | 000732 | YES |
| 7 | PIPE BOSS | | 1 | 005164 | YES |
| 24 | RACK GEAR | | 1 | 004670 | YES |
| 25 | DEPTH GAUGE DECAL (mm) | | 1 | 000520 | YES |
| 26 | DEPTH GAUGE DECAL (inch) | US VERSION ONLY | 1 | 044497 | YES |
| 27 | COLUMN AB52 1000L M16 | | 1 | 042929 | YES |
| 28 | WEIGHT LABEL(AB52) | | 1 | | |
| | COLUMN CPL. 1000L | | 1 | 051682 | YES |
| | COLUMN CPL. 1000L US VERSION | | 1 | 051683 | YES |

BASE

| POS | PART NAME | NOTE | QTY | CPT. CODE | Compatibility with old type AB52 |
|-----|-----------------------|----------------------|-----|-----------|----------------------------------|
| 8 | HEX. BOLT | M12 x 70 | 1 | 042650 | YES |
| 9 | SPRING WASHER | 2-12 | 1 | 042098 | YES |
| 10 | WASHER | φ 12.5 x φ 28 x t3.2 | 2 | 042826 | YES (See NOTE) * |
| 11 | PLATE (N) | | 1 | 052533 | NO |
| 12 | HEX. BOLT | M12 x 90 (10.9) | 2 | 042827 | YES |
| 13 | LEVELING BOLT (F) | | 2 | 042094 | YES |
| 14 | FLANGE NUT | 2-M10 | 4 | 042096 | YES |
| 15 | U-NUT | 3-M16 | 2 | 042101 | YES |
| 16 | PLAIN WASHER | POLISHED ROUND 16 | 2 | 042100 | YES |
| 17 | BEAM | | 2 | 042099 | YES |
| 18 | HEX. BOSS 2 (F) | | 2 | 042092 | YES |
| 19 | ANGLE SCALE | | 1 | 006478 | YES |
| 20 | LEVELING BOLT (R) | | 2 | 042095 | YES |
| 21 | HEX. BOSS 2 (R) | | 2 | 042093 | YES |
| 22 | BASE PLATE | | 1 | 042828 | YES |
| | AB52 SWIVEL BASE CPL. | | 1 | 042796 | YES |

*NOTE : Quantity is changed from 4 to 2 pcs. Pos.11 Plate (N) does not need to use with Pos.10 Washer.

