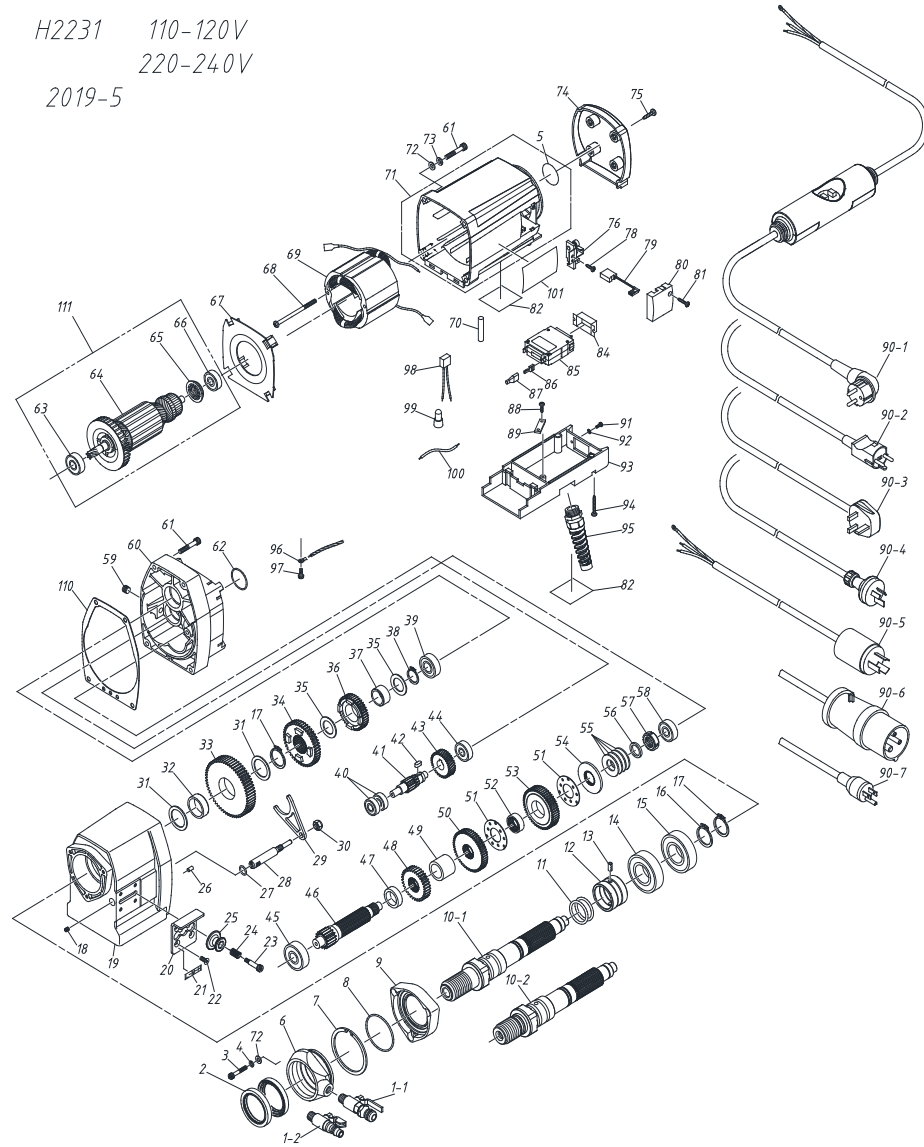


H2231 110-120V  
220-240V  
2019-5



H2231 110-120V/220-240V SPARE PARTS PRICE LIST WITH PRICE 1/2

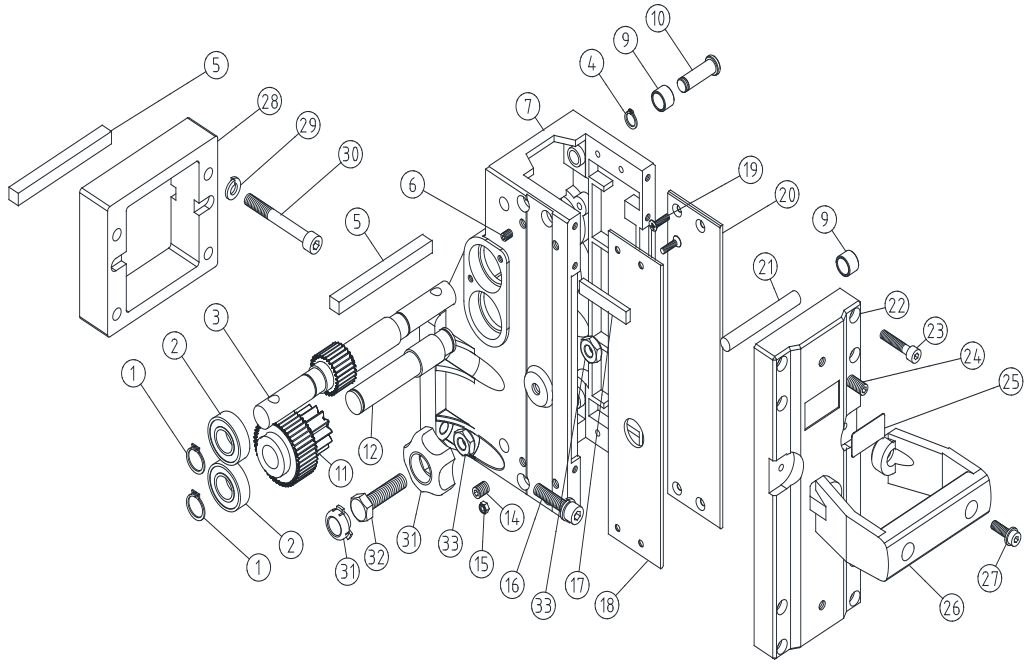
2019/9/27

POS	PART NAME	NOTE	QTY	CPT CODE	Compatibility with R2231
1-1	WATER COCK-GARDENA		1	044137	YES
1-2	WATER COCK-SHIBUYA	1/4-φ 16	1	000061	YES
2	OIL SEAL	HMSA45609 (SUS)	2	043048	YES
3	HEX. SOCKET BOLT	M5 × 30	3	043049	YES
4	SPRING WASHER	5	3	042180	YES
5	DUSTPROOF SEAL		1	052033	NO
6	SWIVEL RING		1	052612	YES (Color is changed)
7	SNAP RING	SA70	1	005081	YES
8	O-RING	S56	1	005080	YES
9	FIXING RING		1	052613	YES (Color is changed)
10-1	SPINDLE (U)		1	043118	YES
10-2	SPINDLE (A)		1	043053	YES
11	O-RING	P31	2	000151	YES
12	SEAL RING		1	000152	YES
13	SPRING PIN	6 × 12AW (SUS)	1	000004	YES
14	BALL BEARING	6206DDU	1	000153	YES
15	BALL BEARING	6206ZZ	1	043054	YES
16	SNAP RING-C	30	1	000257	YES
17	SNAP RING-C	29	2	000165	YES
18	HEX. SOCKET SCREW	M5 × 6	1	000447	YES
19	GEAR CASE		1	051910	YES (Color is changed)
20	PLATE		1	043058	YES
21	SHIFT POSITION STICKER		1	043059	YES
22	HEX. SOCKET SCREW	M5 × 12 COUNTERSUNK	4	006508	YES
23	STRIPPER BOLT	MSB6.5-20	1	006509	YES
24	COIL SPRING		1	000171	YES
25	KNOB		1	043061	YES
26	PARALLEL PIN	A5 × 10	1	006559	YES
27	O-RING	PS-12	1	043062	YES

28	GEAR CHANGE SHAFT		1	052646	NO
29	LEVER		1	043064	YES
30	U-NUT	M8	1	000261	YES
31	SHIM RING		2	006522	YES
32	METAL		1	006523	YES
33	NO. 10 GEAR		1	052645	NO
34	NO. 8 GEAR		1	052643	NO
35	SHIM RING		2	006526	YES
36	NO. 6 GEAR		1	043067	YES
37	METAL		1	006528	YES
38	SNAP RING-C	22	1	006529	YES
39	BALL BEARING	6202ZZ	1	000300	YES
40	BALL BEARING	6000ZZ	2	000112	YES
41	NO. 3 GEAR		1	043068	YES
42	PARALLEL KEY	5 × 5 × 12	1	042872	YES
43	NO. 2 GEAR		1	042734	YES
44	BALL BEARING	6200ZZ	1	000030	YES
45	BALL BEARING	6302ZZ	1	000325	YES
46	NO. 9 GEAR		1	052644	NO
47	RING		1	006514	YES
48	NO. 7 GEAR		1	052642	NO
49	RING		1	043071	YES
50	NO. 5 GEAR		1	043072	YES
51	WASHER		2	043073	YES
52	METAL		1	042739	YES
53	NO. 4 GEAR		1	043075	YES
POS	PART NAME	NOTE	QTY	CPT CODE	Compatibility with R2231
54	CLUTCH		1	043074	YES
55	SPRING PLATE	MDS18-2	4	000014	YES
56	RING		1	006520	YES
57	TWIN FU NUT	TFU03SC	1	041776	YES
58	BALL BEARING	6201ZZ	1	000028	YES
59	HEX. SOCKET PLUG	1/8	1	005386	YES

60	BALL BEARING COVER		1	052641	NO
61	HEX. SOCKET BOLT	M6 x 35	8	043540	YES
62	O-RING	S32	1	005389	YES
63	BALL BEARING	6201HP	1	045618	YES
64-1	ARMATURE 110-120V		1		
64-2	ARMATURE 220-240V		1		
65	COLLAR		1	042152	YES
66	BALL BEARING	6200DDW	1	045620	YES
67	FAN CASING		1	043080	YES
68	TAPPING SCREW PANHEAD	5 x 85	2	043081	YES
69-1	FIELD COIL 110-120V		1	053067	NO
69-2	FIELD COIL 220-240V		1	052595	NO
70	INSULATION TUBE	φ 8 x 40	1	042174	NO
71	MOTOR HOUSING W/DUSTPROOF SEAL		1	051948	NO
72	WASHER	ROUND 6	7	042157	YES
73	SPRING WASHER	2-6	4	042158	YES
74	TAIL COVER		1	051949	NO
75	TAPPING SCREW PANHEAD	5 x 20	4	042161	NO
76	BRUSH HOLDER		2	042162	YES
78	SCREW TRUSS PC	4 x 14	2	042163	YES
79	CARBON BRUSH		2	049626	YES
80	BRUSH COVER		2	051929	YES (Color is changed)
81	TAPPING SCREW PANHEAD	4 x 20	2	042166	YES
82	MOTOR NAME PLATE		2		
84	DUST COVER	NRAR	1	000131	YES (Used in other models)
85-1	CIRCUIT PROTECTOR 110-120V	NRAR1100-30ADA	1	044977	YES
85-2	CIRCUIT PROTECTOR 220-240V	NRAR1100-15AAA	1	001944	NO
86	FASTEN TERMINAL		2	000057	YES
87	CAP		2	000056	YES
88	TAPPING SCREW PANHEAD	4 x 16	2	005495	YES
89-1	CORD FIXER 220-240V		1	042177	NO
89-2	CORD FIXER 110-120V		1	044747	NO
90-1	PLUG WITH CABLE & PRCD	220-240V EU/ASIA	1	042218	YES

90-2	PLUG WITH CABLE & PRCD	220-240V DK	1	042783	YES
90-3	PLUG WITH CABLE & PRCD	220-240V SA	1	050972	YES
90-4	PLUG WITH CABLE & PRCD	220-240V AU	1	051170	YES
90-5	PLUG WITH CABLE	110-120V US	1	043121	YES
90-6	PLUG WITH CABLE	110V UK	1	053048	NO
90-7	PLUG WITH CABLE	110-120V TW	1	045969	YES
91	SCREW PANHEAD W/SW	M3 × 8	2	043093	YES (Used in other models)
92	WASHER	3	2	043094	YES (Used in other models)
93	SWITCH BOX		1	043492	YES (Used in other models)
94	SCREW PANHEAD B TIGHT	4 × 30	2	042171	NO
95	CABLE SLEEVE		1	052825	NO
96-1	TERMINAL w/ INSULATION	FVD2-M4 / 220-240V AND UK	1	045679	YES (Used in other models)
96-2	TERMINAL w/ INSULATION	FV5.5-S4 / 110-120V US/TW	1	043096	YES (Used in other models)
97	SCREW PANHEAD w/SW	M4 × 8	1	000706	YES
98-1	CONDENSER	0.1 μ F/110-120V/220-240V	1	000059	YES
98-2	CONDENSER	0.1 μ F/110V UK	2	000059	YES
99-1	CLOSED-END CONNECTOR	5.5SD / 220-240V	2	000055	YES
99-2	CLOSED-END CONNECTOR	5.5SD / 110-120V US TW	3	000055	YES
99-3	CLOSED-END CONNECTOR	5.5SD / 110V UK	2	000055	YES
100-1	LEAD WIRE	220-240V	1	043135	YES (Used in other models)
100-2	LEAD WIRE	110-120V US TW	2	043097	YES (Used in other models)
100-3	LEAD WIRE	110V UK	1	043097	YES (Used in other models)
101	LABEL		1	052180	NO
110	RUBBER GASKET		1	044922	YES
111-1	ARMATURE ASSY 110-120V	63+64+65+66	1	048208	YES
111-2	ARMATURE ASSY 220-240V	63+64+65+66	1	052594	NO



CARRIAGE BLOCK FOR H2221/H2231 SPARE PARTS PRICE 2019/9/27

POS	PART NAME	NOTE	QTY	CPT CODE	Compatibility with TS-403 C.B.
1	SNAP RING-C	17	4	000272	YES
2	BALL BEARING	6003-2VU	4	048379	YES
3	PINION GEAR		1	000568	YES
4	SNAP RING-C	10	2	041411	NO
5	PARALLEL KEY	10 × 10 × 100	2	042952	YES
6	HEX. SOCKET SCREW	M6 × 12	4	042123	YES
7	CARRIAGE BODY		1	052738	NO
9	ROLLER WITH BUSH		8	049273	YES
10	ROLLER SHAFT (F)		4	052005	YES
11	REDUCTION NO.2-3 GEAR w/COLLAR		1	000535	YES
12	NO.2-3 GEAR SHAFT		1	000534	YES
14	HEX. SOCKET SCREW	M8 × 10	4	004655	YES
15	NYLON NUT	M4	8	000481	YES
16	HEX. SOCKET BOLT w/SW	M8 × 35	4	042392	YES
17	PLATE		2	000531	YES
18	ADJUSTMENT PLATE-2		1	006496	YES
19	SCREW COUNTERSUNK	M4 × 16	8	000515	YES
20	ADJUSTMENT PLATE-1		1	006495	YES
21	ROLLER SHAFT (R)		2	042955	YES
22	BACK COVER		1	042949	YES
23	HEX. SOCKET BOLT	M6 × 30	8	042957	YES
24	HEX. SOCKET SCREW	M8 × 16	2	042956	YES
25	LABEL		1		
26	GRIP HANDLE (RESIN)		1	042133	YES
27	HEX. SOCKET BOLT FLANGED	M6 × 18	2	042958	YES
28	30MM SPACER BODY		1	052736	YES (Color is changed)
29	SPRING WASHER	2-8	4	042824	YES
30	HEX. SOCKET BOLT	M8 × 65	4	042972	YES
31	STOPPER-KNOB	M10	1	042268	YES
32	HEX. BOLT	M10 × 40 (COPPER)	1	042267	YES
33	U-NUT	3-M10	2	043045	YES
	CARRIAGE BLOCK CPL.		1	053211	YES
	30MM SPACER SET		1	052735	YES (Color is changed)

\*NOTE: It does not attach to the old type rollers.

\*\*NOTE: The new type carriage body does not have hols for the hex socket screws to fix the old type rollers.

\*\*\*NOTE: It can also be fixed with the hex socket screws.

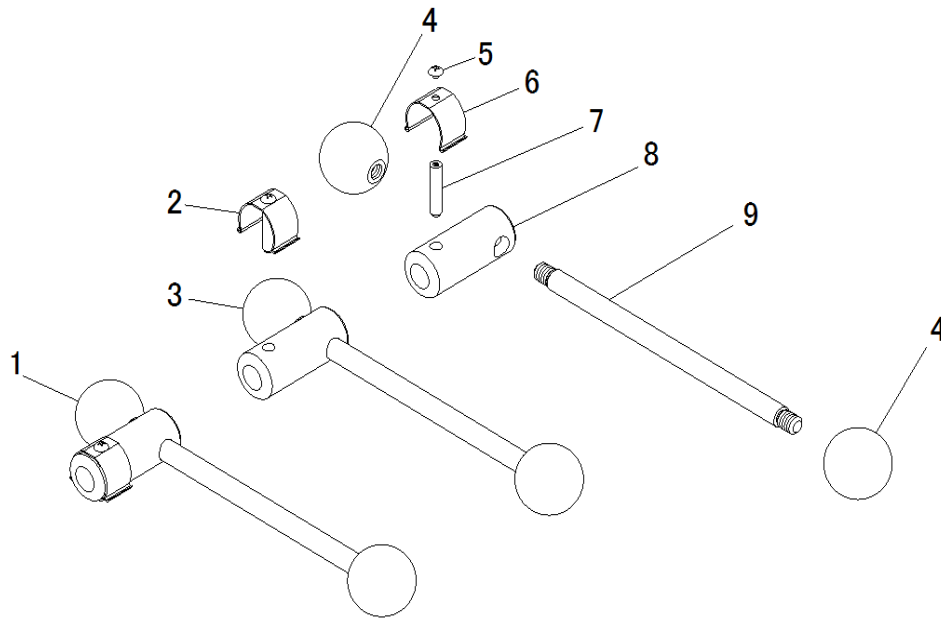
\*\*\*\*NOTE: It can be used with the R2231 motor.

QUICK RELEASE HANDLE SPARE PARTS LIST WITH PRICE

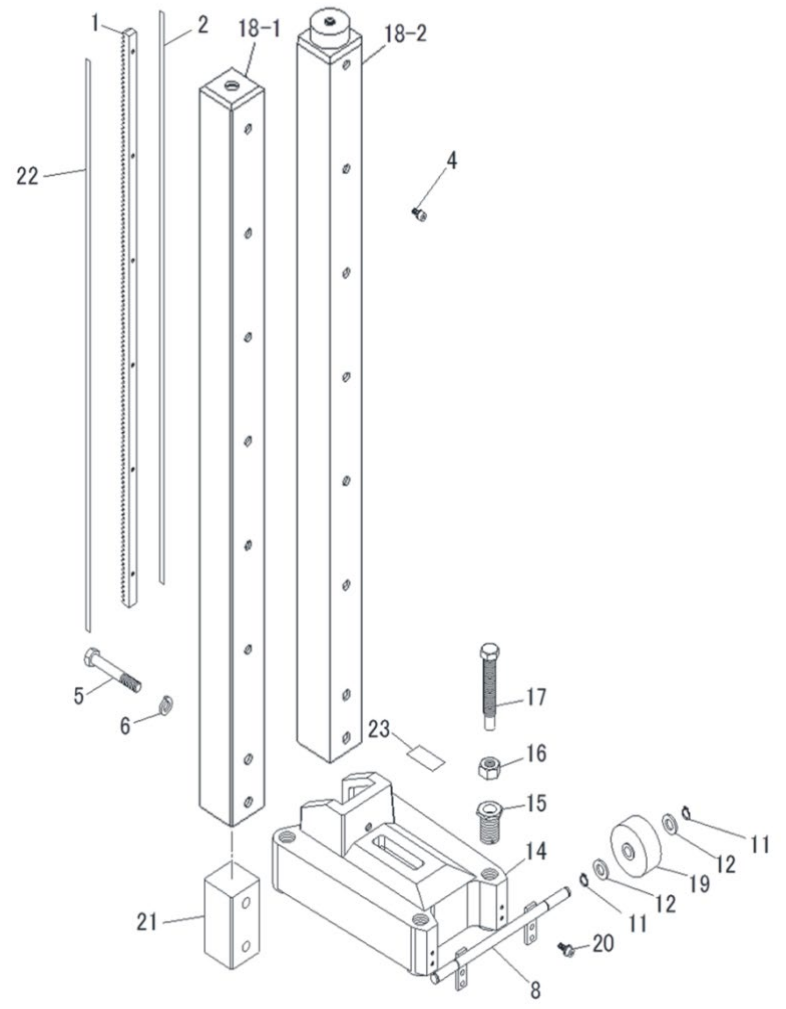
2019/5/21

POS	PART NAME	NOTE	QTY	CPT CODE	Compatibility with TS-403 Q.R.Handle
1	Q.R.HANDLE CPL.		1	042959	YES
2	RETAINER COMPLETE		1	006095	YES
3	Q.R.HANDLE w/o RETAINER		1	042960	YES
4	GRIP BALL DIA.45		2	042113	YES
5	SCREW	M5 x 6(SUS)	1	006091	YES
6	SPRING		1	006092	YES
7	PIN		1	006093	YES
8	HANDLE BODY		1	006094	YES
9	HANDLE ROD		1	000492	YES

NOTE: No change.







**TS-405 BASE AND COLUMN 1000L SPARE PARTS LIST WITH PRICE**

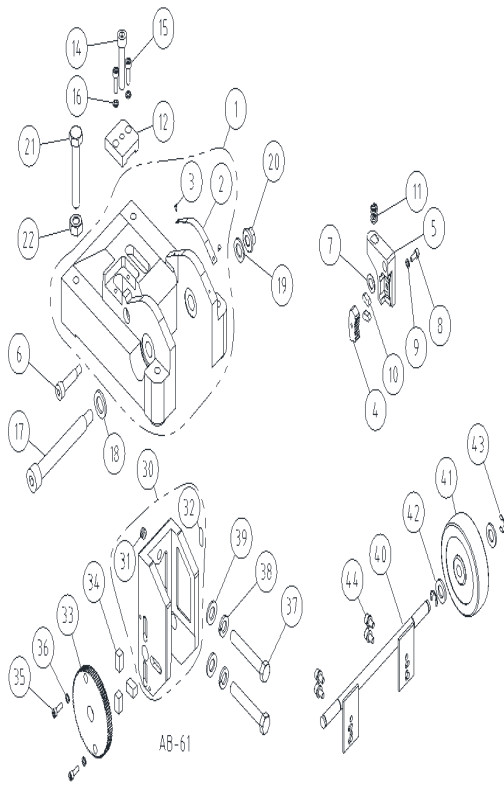
2019/9/27

**COLUMN**

POS	PART NAME	NOTE	QTY	CPT CODE	Compatibility with TS-403 Column
1	RACK GEAR		1	045571	YES
2	DEPTH GAUGE DECAL (mm)		1	000520	YES
4	HEX. SOCKET BOLT w/SW	M6 × 12	6	004672	YES
18-1	COLUMN - STANDARD TYPE		1	043026	YES
18-2	COLUMN w/SWIVEL TOP CONNECTION		1	042962	YES
21	CORE BLOCK		1	006583	YES
22	DEPTH GAUGE DECAL (inch)	US	1	044497	YES
	COLUMN CPL. STANDARD TYPE		1	042976	YES
	COLUMN CPL. STANDARD TYPE	US	1	051684	YES
	COLUMN CPL. w/SWIVEL TOP CONNECTION		1	051686	YES

**BASE**

POS	PART NAME	NOTE	QTY	CPT CODE	Compatibility with TS-403 Base
5	HEX. BOLT	M12 × 80	2	042966	YES
6	SPRING WASHER	2-12	2	042098	YES
8	WHEEL SHAFT		1	042969	YES
11	SNAP RING-C	12	4	000456	YES
12	PLAIN WASHER	12	4	042726	YES
14	BASE PLATE		1	042964	YES
15	HEX. BOSS	M16	4	042968	YES
15	HEX. BOSS	5/8	4	044371	YES
16	HEX. NUT	1-M16	4	042967	YES
16	HEX. NUT	5/8-11UNC	4	044370	YES
17	LEVELING BOLT	M16	4	042965	YES
17	LEVELING BOLT	5/8	4	044369	YES
19	WHEEL	425E-R100mm	2	000581	YES
20	HEX. SOCKET BOLT w/SW	M6 × 15	2	045576	YES
	TS-405 BASE CPL.		1	042975	YES
	TS-405 BASE CPL.	US	1	053212	YES
	WHEEL KIT	8+11+12+19+20	1	048200	YES



## AB61 SWIVEL BASE SPARE PARTS LIST WITH PRICE

2019/9/27

POS	PART NAME	NOTE	QTY	CPT CODE	Compatibility with AB61
1	BASE PLATE W/ANGLE SCALE		1	049290	YES
2	ANGLE SCALE		1	000725	YES
3	PIN	#4 × 4.8	2	000726	YES
4	INTERNAL GEAR		1	000717	YES
5	CLAMP		1	000719	YES
6	SHOULDER BOLT	MSB10-35	1	000722	YES
7	WASHER	MSR10-0.5	1	000716	YES
8	HEX. SOCKET BOLT	M5 × 12	1	000169	YES
9	SPRING WASHER	5	1	047911	YES
10	KEY	6 × 6 × 16	2	000718	YES
11	COIL SPRING		1	000462	YES
12	PLATE		1	000715	YES
14	HEX. SOCKET BOLT	M10 × 30	1	000713	YES
15	HEX. SOCKET BOLT	M6 × 20	2	000308	YES
16	SPRING WASHER	6	2	047912	YES
17	SHOULDER BOLT	MSB16-120	1	000728	YES
18	PLAIN WASHER	16	1	042100	YES (Used in other models)
19	PLAIN WASHER	12	1	042726	YES (Used in other models)
20	FLANGED NUT	M12	1	000723	YES
21	HEX. BOLT	W1/2 × 75	4	000771	YES
22	HEX. NUT	1-W1/2	4	042651	YES (Used in other models)
30	COLUMN HOLDER ASSY		1	049288	YES
31	HELISERT	M12 × 1D	2	000610	YES
32	INDICATION LABEL		1	000732	YES
33	GEAR WHEEL		1	000729	YES
34	KEY		3	000730	YES
35	HEX. SOCKET BOLT	M5 × 15	2	000412	YES
36	SPRING WASHER	5	2	047911	YES
37	HEX. BOLT	M12 × 80	2	042966	YES
38	SPRING WASHER	2-12	2	042098	YES
39	PLAIN WASHER	12	2	042726	YES
40	WHEEL SHAFT		1	042069	YES
41	WHEEL	425E-R100mm	2	000581	YES
42	PLAIN WASHER	12	4	042726	YES (Used in other models)
43	SNAP RING E	10	4	000580	YES
44	HEX. SOCKET BOLT	M6 × 12 w/SW	4	047554	YES
	AB61 SWIVEL BASE CPL.			041839	YES