

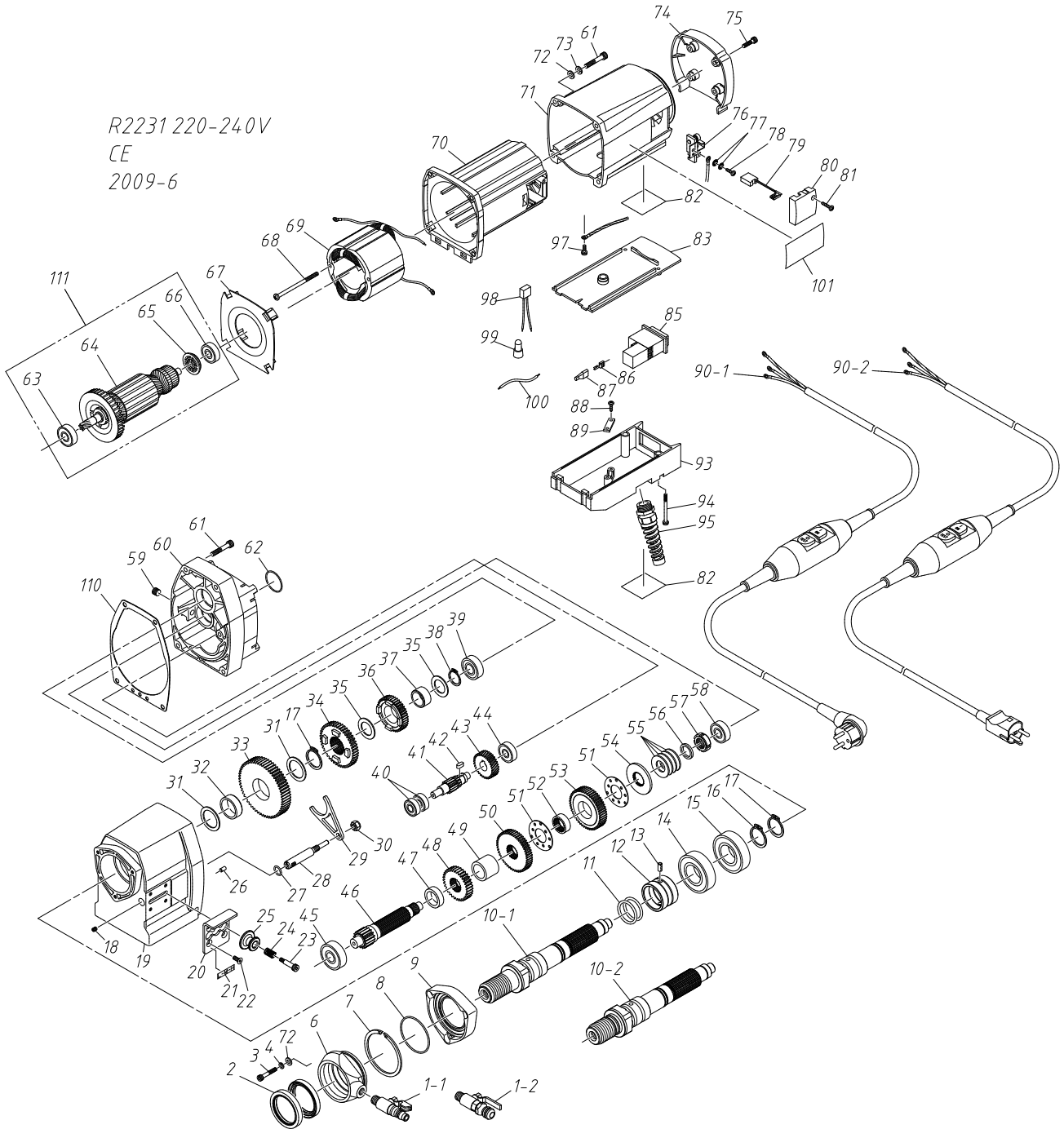
SKEMATISKE TEGNINGER MED RESERVEDELSLISTER

R2221 RESERVEDELSLISTE 220-240V U&A CE

POS	PART NAME	DRAWING NO.	QTY	CPT	POS	PART NAME	DRAWING NO.	QTY	CPT
1-1	WATER COCK SHIBUYA	1/4- Dia. 16	1	000061	52	SPRING PLATE	MDS18-2	4	000014
1-2	WATER COCK GARDENA	S409692	1	044137	53	RING	S407198	1	006520
2	OIL SEAL	HMSA45609 (SUS)	2	043048	54	TWIN FU NUT	TFU03SC	1	041776
3	HEX. SOCKET BOLT	M5×30	3	043049	55	BALL BEARING COVER	S100629	1	043103
4	SPRING WASHER	5	3	042180	56	HEX. SOCKET BOLT	M6×20	4	043104
6	SWIVEL RING	S304641	1	043050	57	O-RING	S32	1	005389
7	SNAP RING	SA70	1	005081	58	BALL BEARING	6201HP	1	045618
8	O-RING	S56	1	005080	59	ARMATURE 220-240V	VV-460012	1	043129
9	FIXING RING	S304642	1	043051	60	COLLAR	6901068	1	042152
10-1	SPINDLE (U)	S304646	1	043119	61	BALL BEARING	6200VV	1	000122
10-2	SPINDLE (A)	S304645	1	043052	62	FAN CASING	VV-490004	1	043080
11	O-RING	P31	2	000151	63	TAPPING SCREW PANHEAD	5×85	2	043081
12	SEAL RING	S408781	1	000152	64	FIELD COIL 220-240V	VV-500012	1	043130
13	SPRING PIN	6×12AW (SUS)	1	000004	65	INSULATION HOUSING	VV-800006	1	043082
14	BALL BEARING	6206DDU	1	000153	66	MOTOR HOUSING	VV-800003	1	043083
15	BALL BEARING	6206ZZ	1	043054	67	SKIVE	RUND 6	7	042157
16	SNAP RING-C	30	1	000257	68	SPRING WASHER	2-6	4	042158
17	SNAP RING-C	29	2	000165	69	HEX. SOCKET BOLT	M6×35	4	043540
18	HEX. SOCKET SCREW	M5×6	1	000447	70	TAIL COVER	VV-880004	1	043084
19	GEAR CASE	S100628	1	043055	71	HEX. SOCKET BOLT	M5×25	4	042179
20	PLATE	S408965	1	043057	72	BRUSH HOLDER	6570110	2	042162
21	SHIFT POSITION STICKER	VV-920001	1	042186	73	TEETHED WASHER	5	4	043085
22	HEX. SOCKET SCREW	M5×12	4	006508	74	SCREW TRUSS PC	4×14	2	042163
23	STRIPPER BOLT	MSB6.5-20	1	006509	75	CARBON BRUSH	VV-090002	2	042224
24	COIL SPRING	S408727	1	000171	76	BRUSH COVER	VV-880002	2	042165
25	KNOB	S408999	1	043060	77	TAPPING SCREW PANHEAD	4×20	2	042166
26	HEX. SOCKET PLUG	1/8	1	005386	78	MOTOR NAME PLATE	VV-910033	2	043137
27	PARALLEL PIN	A5×10	1	006559	79	SWITCH CASE B	VV-360008	1	043088
28	O-RING	P9	1	005387					
29	GEAR CHANGE SHAFT	S407195	1	006511	81	CIRUIT PROTECTOR	3120-F524-H7T1-W01D-12A+X3120-U0	1	043138
31	U-NUT	M8	1	000261	82	FASTEN TERMINAL	OTP-225032-2	2	000057
32	SHIM RING	S407205	2	006522	83	CAP	238035-09	2	000056
33	METAL	S407202	1	006523	84	TAPPING SCREW PANHEAD	4×16	2	005495
34	NO. 8 GEAR	S408633	1	043098	85	CORD FIXER	VV-560004	1	043091
36	SHIM RING	S407204	2	006526	86-1	Plug+Cable+PRCD	VV-520001	1	042218
37	NO. 6 GEAR	S408631	1	043099	86-2	Plug+Cable+PRCD	S408989 DK	-	042783
38	METAL	S407201	1	006528	89	SWITCH CASE A	VV-360007	1	043134
39	SNAP RING-C	22	1	006529	90	SCREW PANHEAD	M4×50	2	043095
40	BALL BEARING	6202ZZ	2	000300	91	CABLE SLEEVE	5311 1720	1	042690
41	BALL BEARING	6201ZZ	3	000028	93	SCREW PANHEAD w/SW	M4×8	1	000706
42	NO. 3 GEAR	S408808	1	043100	94	CONDENSER	0.1µ F	1	000059
43	PARALLEL KEY	5×5×12	1	042872	95	CLOSED-END CONNECTOR	5.5SD	2	000055
44	NO. 2 GEAR	S408772	1	042734	96	LEAD WIRE	9673020	2	043135
45	NO. 7 GEAR	S408807	1	043101	97	CAUTION PLATE	VV-920002	1	042225
46	RING	S407199	1	006514	110	RUBBER GASKET	S305120	1	044920
47	NO. 5 GEAR	S407188	1	043139	111	ARMATURE ASSY 220-240V	58+69+60+61	1	044147
48	CLUTCH	S408634	2	043074	120	KOBLING NO.3 M.LØFTER	S411319	1	048823
49	WASHER	S408636	2	043073	121	KOBLING NO.3	SAMLET SOM POS.#120 CODE #048823		
50	METAL	S408635	1	042739	122	LØFTER			
51	NO. 4 GEAR	S408630	1	043102					

SKEMATISKE TEGNINGER MED RESERVEDELSLISTER

R2231 220-240V
CE
2009-6

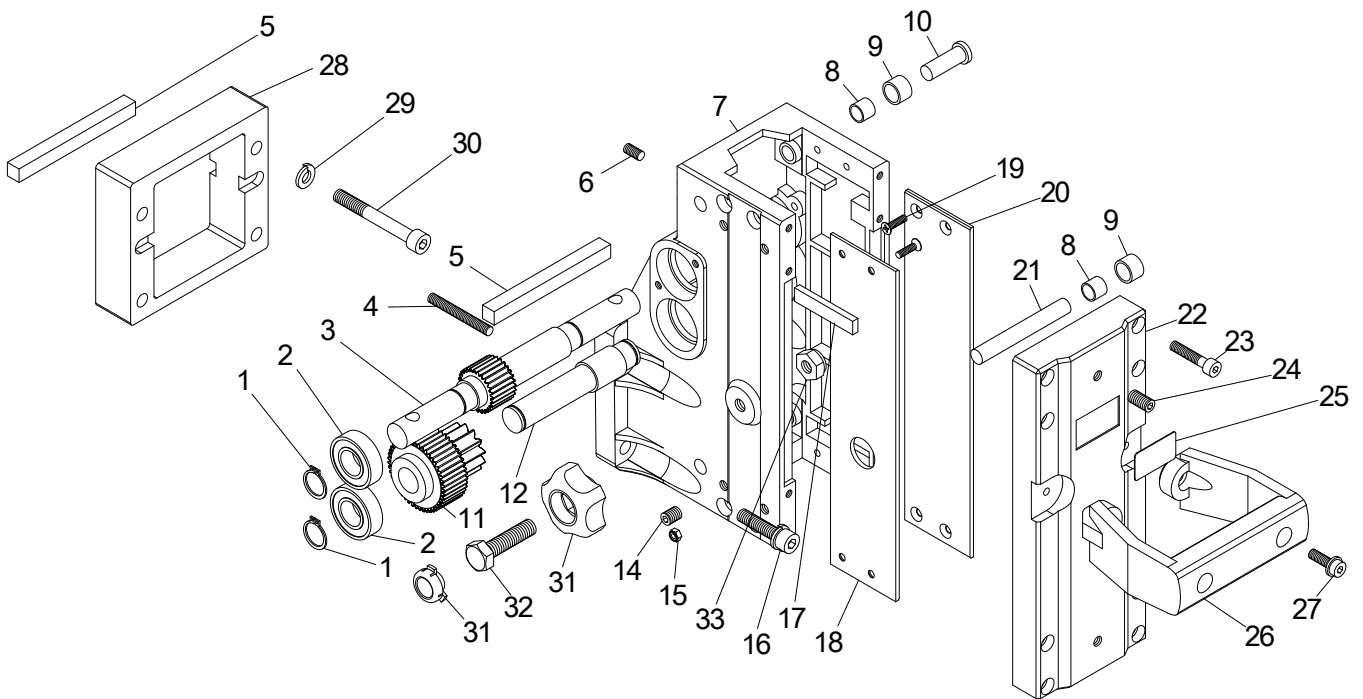


SKEMATISKE TEGNINGER MED RESERVEDELSLISTER

R2231 RESERVEDELSLISTE 220-240V U&A CE

POS	PART NAME	DRAWING NO.	QTY	CPT CODE	POS	PART NAME	DRAWING NO.	QTY	CPT CODE
1-1	WATER COCK	1/4- Dia. 16	1	000061	53	NO. 4 GEAR	S408774	1	043075
1-2	WATER COCK	S409692	1	044137	54	CLUTCH	S408634	1	043074
2	OIL SEAL	HMSA45609 (SUS)	2	043048	55	SPRING PLATE	MDS18-2	4	000014
3	HEX. SOCKET BOLT	M5x30	3	043049	56	RING	S407198	1	006520
4	SPRING WASHER	5	3	042180	57	TWIN FU NUT	TFU03SC	1	041776
6	SWIVEL RING	S304641	1	043050	58	BALL BEARING	6201ZZ	1	000028
7	SNAP RING	SA70	1	005081	59	HEX. SOCKET PLUG	1/8	1	005386
8	O-RING	S56	1	005080	60	BALL BEARING COVER	S100627	1	043076
9	FIXING RING	S304642	1	043051	61	HEX. SOCKET BOLT	M6x35	8	043540
10-1	SPINDLE (U)	S304542	1	043118	62	O-RING	S32	1	005389
10-2	SPINDLE (A)	S304535	1	043053	63	BALL BEARING	6201HP	1	045618
11	O-RING	P31	2	000151	64	ARMATURE 220-240V	VV-460012	1	043129
12	SEAL RING	S408781	1	000152	65	COLLAR	6901068	1	042152
13	SPRING PIN	6x12AW (SUS)	1	000004	66	BALL BEARING	6200VV	1	000122
14	BALL BEARING	6206DDU	1	000153	67	FAN CASING	VV-490004	1	043080
15	BALL BEARING	6206ZZ	1	043054	68	TAPPING SCREW	5x85	2	043081
16	SNAP RING-C	30	1	000257	69	FIELD COIL 220-240V	VV-500012	1	043130
17	SNAP RING-C	29	2	000165	70	INSULATION HOUSING	VV-800006	1	043082
18	HEX. SOCKET SCREW	M5x6	1	000447	71	MOTOR HOUSING	VV-800003	1	043083
19	GEAR CASE	S100626	1	043056	72	SKIVE	RUND 6	7	042157
20	PLATE	S409139	1	043058	73	SPRING WASHER	2-6	4	042158
21	SHIFT POSITION STICKER	S408972	1	043059	74	TAIL COVER	VV-880004	1	043084
22	HEX. SOCKET SCREW	M5x12 COUNTERSUNK	4	006508	75	HEX. SOCKET BOLT	M5x25	4	042179
23	STRIPPER BOLT	MSB6.5-20	1	006509	76	BRUSH HOLDER	6570110	2	042162
24	COIL SPRING	S408727	1	000171	77	TEETHED WASHER	5	4	043085
25	KNOB	S409138	1	043061	78	SCREW TRUSS PC	4x14	2	042163
26	PARALLEL PIN	A5x10	1	006559	79	CARBON BRUSH	VV-090002	2	042224
27	O-RING	PS-12	1	043062	80	BRUSH COVER	VV-880002	2	042165
28	GEAR CHANGE SHAFT	S408779	1	043063	81	TAPPING SCREW	4x20	2	042166
29	LEVER	S408780	1	043064	82	MOTOR NAME PLATE	VV-910038	2	043136
30	U-NUT	M8	1	000261	83	SWITCH CASE B	VV-360008	1	043088
31	SHIM RING	S407205	2	006522	85	CIRUIT PROTECTOR	3120-F524-H7T1-W01D-12A+X3120-U0000	1	043138
32	METAL	S407202	1	006523	86	FASTEN TERMINAL	OTP-225032-2	2	000057
33	NO. 10 GEAR	S409137	1	043065	87	CAP	238035-09	2	000056
34	NO. 8 GEAR	S304723	1	043066	88	TAPPING SCREW	4x16	2	005495
35	SHIM RING	S407204	2	006526	89	CORD FIXER	VV-560004	1	043091
36	NO. 6 GEAR	S409135	1	043067	90-1	Plug+Cable+PRCD	VV-520001	1	042218
37	METAL	S407201	1	006528	90-2	Plug+Cable+PRCD	S408989 DK	-	042783
38	SNAP RING-C	22	1	006529	93	SWITCH CASE A	VV-360007	1	043134
39	BALL BEARING	6202ZZ	1	000300	94	SCREW PANHEAD	M4x50	2	043095
40	BALL BEARING	6000ZZ	2	000112	95	CABLE SLEEVE	5311 1720	1	042690
41	NO. 3 GEAR	S409095	1	043068	97	SCREW PANHEAD w/SW	M4x8	1	000706
42	PARALLEL KEY	5x5x12	1	042872	98	CONDENSER	0.1µF	1	000059
43	NO. 2 GEAR	S408772	1	042734	99	CLOSED-END	5.5SD	2	000055
44	BALL BEARING	6200ZZ	1	000030	100	LEAD WIRE	9673020	2	043135
45	BALL BEARING	6302ZZ	1	000325	101	CAUTION PLATE	VV-920002	1	042225
46	NO. 9 GEAR	S409196	1	043069					
47	RING	S407199	1	006514					
48	NO. 7 GEAR	S409195	1	043070					
49	RING	S409197	1	043071					
50	NO. 5 GEAR	S409134	1	043072					
51	WASHER	S408636	2	043073	110	RUBBER GASKET	S305121	1	044922
52	METAL	S408635	1	042739	111	ARMATURE ASSY	63+64+65+66	1	044147

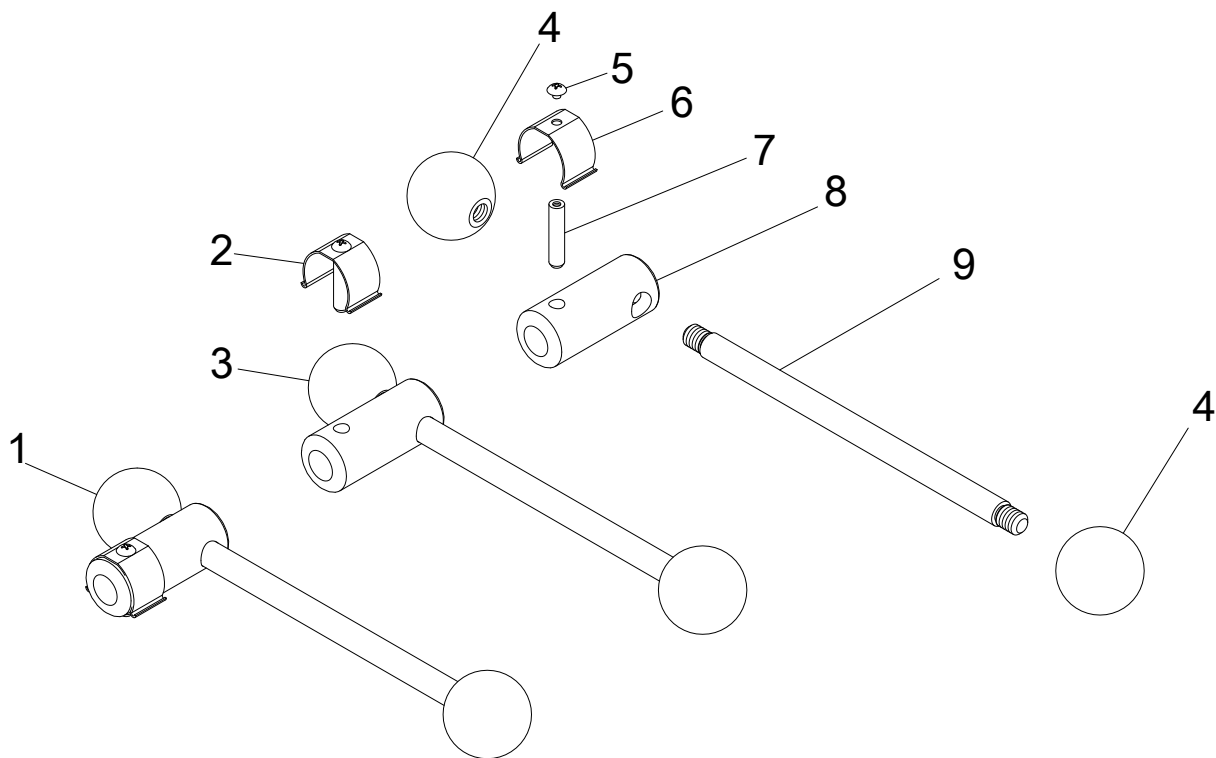
TS-402 / TS-403 FREMFØRINGSKASSE



TS-402 / TS-403 RESERVEDELSLISTE FOR FREMFØRINGSKASSE

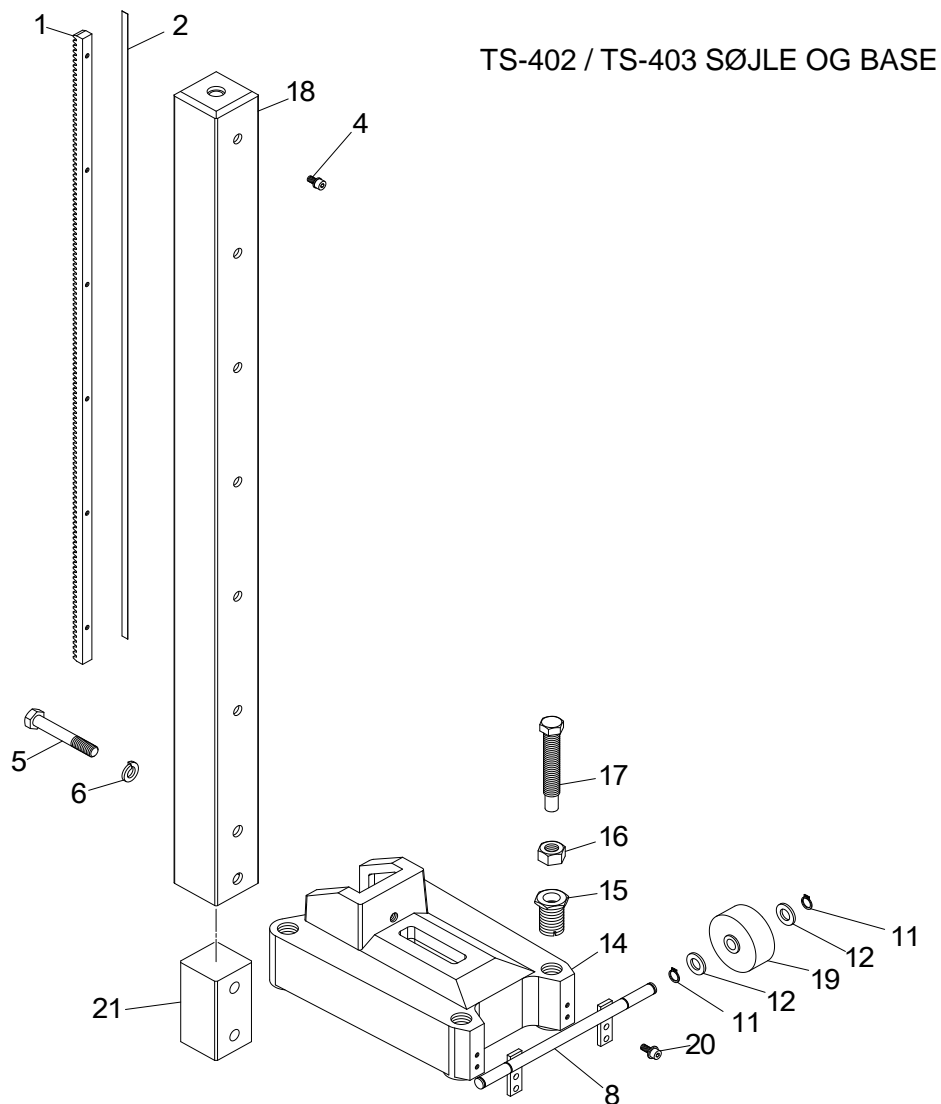
POS	PART NAME	DRAWING NO.	QTY	CPT. CODE
1	SNAP RING-C	17	4	000272
2	LEJE	6003-2VU	4	048379
3	PINION GEAR	S401214	1	000568
4	HEX. SOCKET SCREW	M6×50	2	006498
5	PARALLEL KEY	S408962	2	042952
6	HEX. SOCKET SCREW	M6×12	6	042123
7	CARRIAGE BODY	S100620	1	042948
8	DU BUSH	1010	8	000478
9	ROLLER (F)	S401062	8	000479
10	ROLLER SHAFT (F)	S408538	4	042122
11	REDUCTION NO.2-3 GEAR w/COLLAR	S302950	1	000535
12	NO.2-3 GEAR SHAFT	S402805	1	000534
14	HEX. SOCKET SCREW	M8×10	4	004655
15	NYLON NUT	M4	8	000481
16	HEX. SOCKET BOLT w/SW	M8×35	4	042392
17	PLATE	S402476	2	000531
18	ADJUSTMENT PLATE-2 (TS-402/403)	S407383	1	006496
19	SCREW COUNTERSUNK	M4×16	8	000515
20	ADJUSTMENT PLATE-1 (TS-402/403)	S407381	1	006495
21	ROLLER SHAFT (R)	S408927	2	042955
22	BACK COVER	S201959	1	042949
23	HEX. SOCKET BOLT	M6×30	8	042957
24	HEX. SOCKET SCREW	M8×16	2	042956
25	NAME PLATE (TS-402)	S408910A-G01	1	042953
25	NAME PLATE (TS-403)	S408910A-G02	1	042954
26	GRIP HANDLE (RESIN)	S304528	1	042133
27	HEX. SOCKET BOLT FLANGED	M6×18	2	042958
28	SPACER 30MM	S404693	1	042970
29	SPRING WASHER	2-8	4	042824
30	HEX. SOCKET BOLT	M8×65	4	042972
31	STOPPER-KNOB	M10	1	042268
32	HEX. BOLT	M10×40 (COPPER)	1	042267
33	U-NUT	3-M10	1	043045

TS-402 / TS-403 HÅNDTAG TIL HURTIG FRIGØRELSE



RESERVEDELSLISTE FOR TS-402/TS-403 HÅNDTAG TIL HURTIG FRIGØRELSE

POS	PART NAME	DRAWING NO.	Q'TY	CPT. CODE
1	Q.R.HANDLE CPL..	S304606	1	042959
2	RETAINER COMPLETE	S304606-4-6	1	006095
3	Q.R.HANDLE w/o RETAINER	S304606-1-3	1	042960
4	GRIP BALL DIA.45	S408746	2	042113
5	SCREW	M5×6(SUS)	1	006091
6	SPRING	G6971201	1	006092
7	PIN	S406214	1	006093
8	HANDLE BODY	S406238A-G01	1	006094
9	HANDLE ROD	S402449	1	000492



TS-402 / TS-403 SØJLE OG BASE

TS-402 / TS-403 RESERVEDELSLISTE FOR SØJLE

POS	PART NAME	DRAWING NO.	Q'TY	CPT. CODE
1	RACK GEAR	S404472	1	004670
2	SCALE SEAL	S400044	1	000520
4	HEX. SOCKET BOLT w/SW	M6×12	6	004672
18	COLUMN	S304640	1	043026
21	CORE BLOCK	S407026	1	006583

TS-402 / TS-403 RESERVEDELSLISTE FOR BASE

POS	PART NAME	DRAWING NO.	Q'TY	CPT. CODE
5	HEX. BOLT	M12×80	2	042966
6	SPRING WASHER	2-12	2	042098
8	WHEEL SHAFT	S304638-G01	1	042969
11	SNAP RING-C	12	4	000456
12	PLAIN WASHER	12	4	042726
14	BASE PLATE	S100562	1	042964
15	HEX. BOSS	S408906	4	042968
16	HEX. NUT	1-M16	4	042967
17	LEVELING BOLT	S408905	4	042965
19	WHEEL	425E-R100mm	2	000581
20	HEX. SOCKET BOLT w/SW	M6 X 15	2	045576