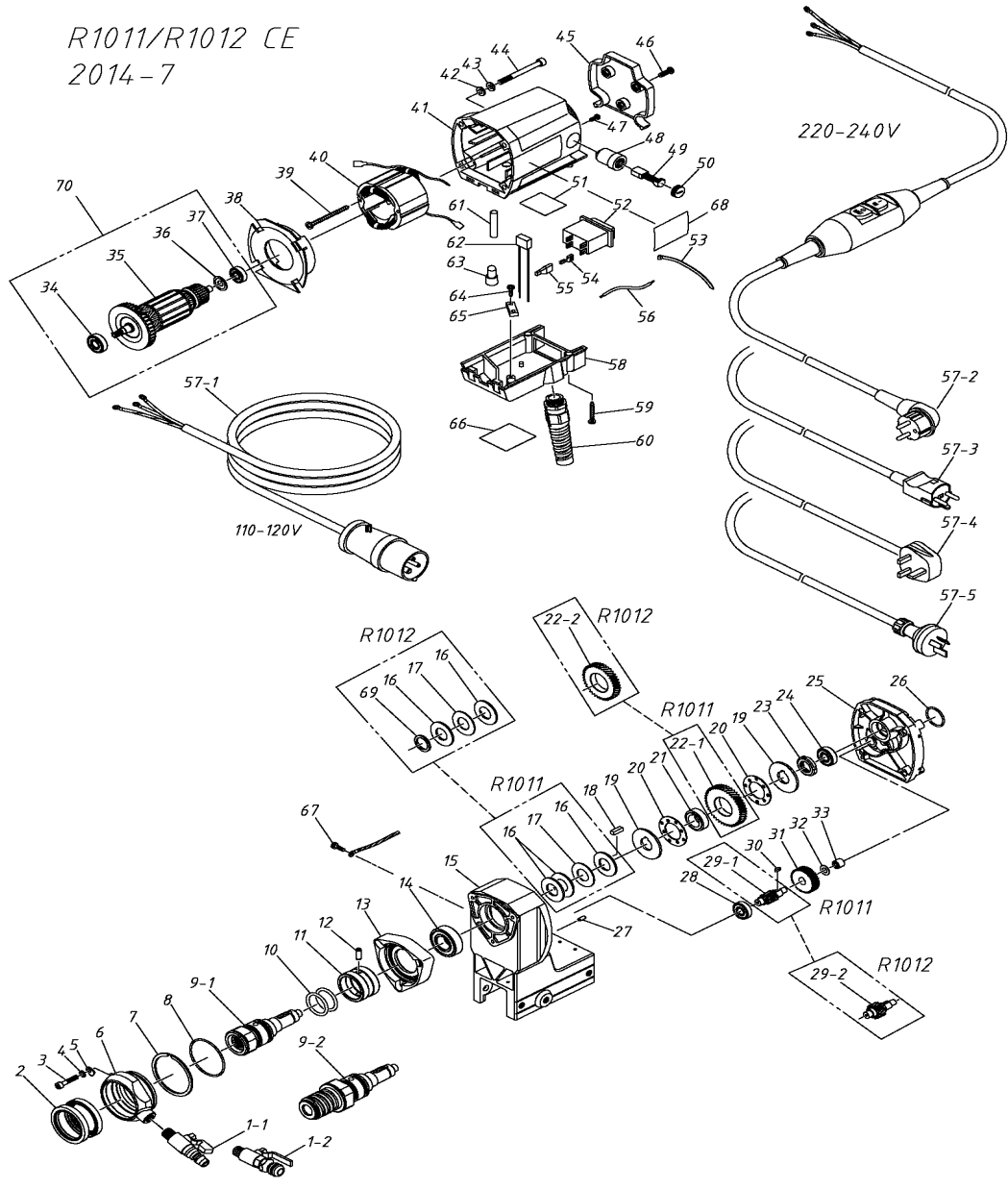


R1011 (220-240V) G & A

POS	PART NAME	DRAWING NUMBER	QTY.	CPT CODE	
1-1	WATER COCK-SHIBUYA	1/4-φ 16	1	000061	
1-2	WATER COCK GARDENA	S409692	1	044137	
2	OIL SEAL	HMSA42557 (SUS)	2	042178	
3	HEX. SOCKET BOLT	M5 × 25	3	042179	
4	SPRING WASHER	5	3	042180	
5	SUPPORT RING	S409270	3	043872	
6	SWIVEL RING	S304819	1	043873	
7	SNAP RING	SA60	1	043874	
8	O-RING	S53	1	043875	
9-1	SPINDLE (G1/2)	S304784	1	043906	
9-2	SPINDLE (A)	S304785	1	043905	
10	O-RING	P28	2	000070	
11	SEAL RING	S408532	1	042139	
12	SPRING PIN	6 × 12AW (SUS)	1	000004	
13	FIXING RING	S304820	1	043877	
14	BALL BEARING	6004DDU	1	001701	
15	DRILL HEAD CHASSIS	S100635	1	043878	
16	SPRING PLATE	MDS18-2	3	000014	
17	SPRING PLATE	MDS18-1	1	000015	
18	PARALLEL KEY	5 × 5 × 15	1	008118	
19	CLUTCH	S409267	2	043879	
20	WASHER	S408534	2	042146	
21	METAL	S409336	1	043880	
22-1	NO.4 GEAR R1011	S409494	1	043881	
23	FU NUT	FU03SC	1	006521	
24	BALL BEARING	6000ZZ	1	000112	
25	BALL BEARING COVER	S202019	1	043882	
26	O-RING	S26	1	043883	
27	PARALLEL PIN	B4 × 10	1	005449	
28	BALL BEARING	609ZZ	1	041724	
29-1	NO.3 GEAR R1011	S409493	1	043884	
30	PARALLEL KEY	3 × 3 × 8	1	043885	
31	NO.2 GEAR	S409262	1	043886	
32	SHIM RING	SP-007050	1	043887	
33	NEEDLE BEARING	TLA 79Z	1	043888	
34	BALL BEARING	6000DDW	1	043889	
35	ARMATURE 220-240V	VV-030016	1	043910	
36	COLLAR	6930108	1	043891	
37	BALL BEARING	608VV	1	043892	
38	FAN CASING	VV-490005	1	043893	
39	TAPPING SCREW PANHEAD	5 × 60	2	042154	
40	FIELD COIL 220-240V	VV-040016	1	043912	
41	MOTOR HOUSING	VV-800005	1	043895	
42	WASHER	ROUND 6	4	042157	
43	SPRING WASHER	2 - 6	4	042158	
44	HEX. SOCKET BOLT	M6 × 55	4	042159	
45	TAIL COVER	VV-880006	1	043896	
46	TAPPING SCREW PANHEAD	5 × 16	3	043897	

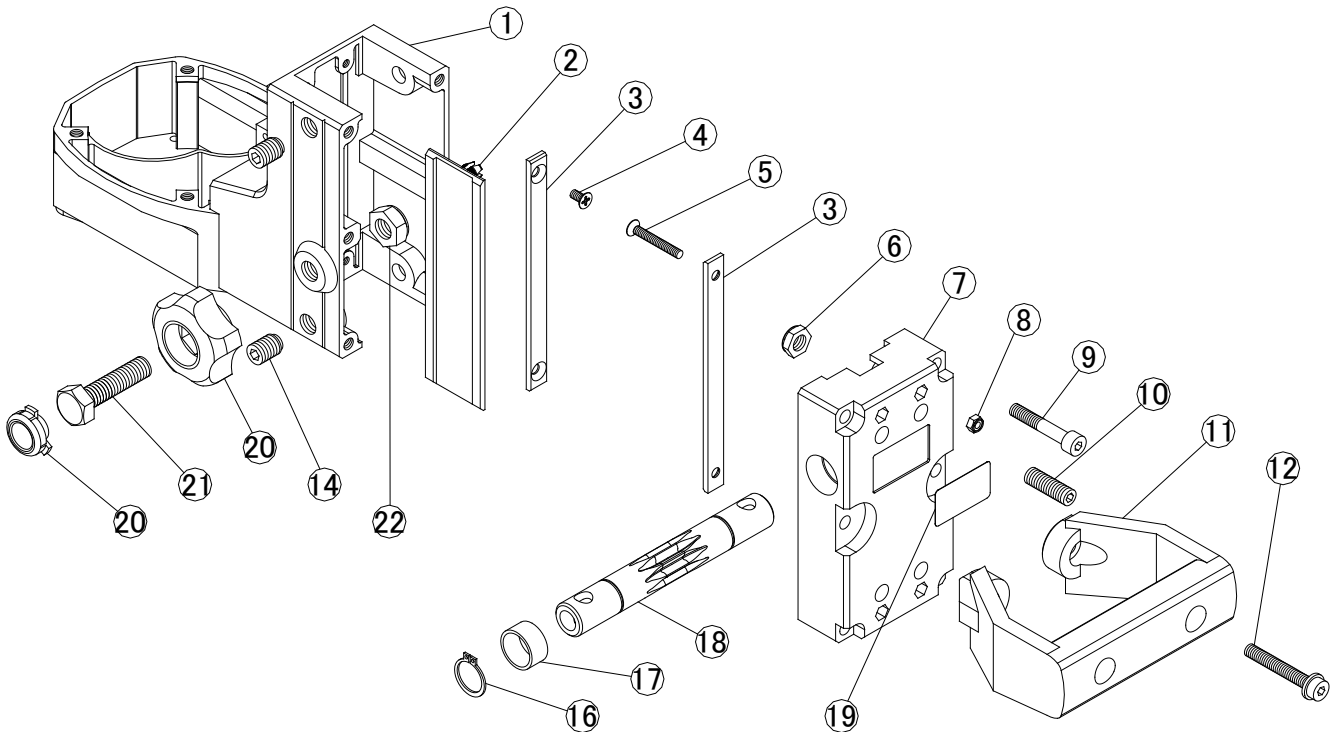
POS	PART NAME	DRAWING NUMBER	QTY.	CPT CODE	
47	TAPPING SCREW PANHEAD	4 × 10	2	005498	
48	BRUSH HOLDER	6570119	2	043898	
49	CARBON BRUSH 220-240V	VV-540005	2	043913	
50	BRUSH COVER	6570042	2	043900	
51	MOTOR NAME PLATE(IN) 220-240V	VV-9100461	1	043921	
52	CIRCUIT PROTECTOR 220-240V	3120-F524-H7T1-W01D-5	1	043595	
53	CABLE TIE	AB-100	2	005990	
54	FASTEN TERMINAL	OTP-225032-2	2	000057	
55	CAP	238035-09	2	000056	
56	LEAD WIRE	9673020	2	000060	
57-2	PLUG W/ CABLE & PRCD	EU	1	042218	
57-3	PLUG W/ CABLE & PRCD	DK	1	042783	
57-4	PLUG W/ CABLE & PRCD	SA	1	050972	
57-5	PLUG W/ CABLE & PRCD	AU	1	051174	
58	SWITCH BOX	VV-360011	1	043903	
59	SCREW PANHEAD B TIGHT	4 × 30	2	042171	
60	CABLE SLEEVE	5311 1720	1	042690	
61	INSULATION TUBE	φ 8 × 40	1	042174	
62	CONDENSER	0.1 μ F	1	000059	
63	CLOSED-END CONNECTOR	5.5SD	2	000055	
64	SCREW PANHEAD B TIGHT	4 × 16	2	005495	
65	CORD FIXER	6560067	1	042177	
66	MOTOR NAME PLATE(OUT) 220-240V	VV-910046	1	043922	
67	SCREW PANHEAD W/SW	M4 × 10	1	000690	
68	CAUTION PLATE	VV-920005	1	043914	
70	ARMATURE ASSY 220-240V	34+35+36+37	1	043932	

R1011/R1012 CE
2014-7



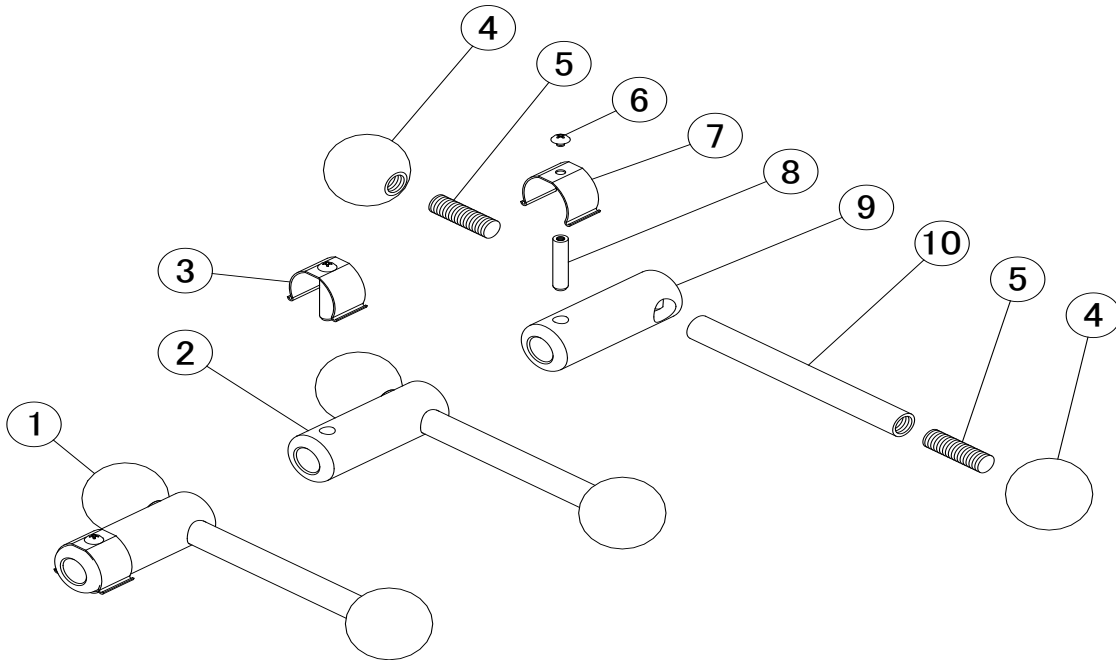
TS-092 CARRIAGE

POS	PART NAME	DRAWING NUMBER	QTY.	CPT CODE
1	DRILL HEAD CHASSIS	S100635	1	043878
2	SLIDE PLATE	S409337	1	043535
3	ADEJUTMENT PLATE 1	S409259	4	043532
4	TRUSS HEAD SCREW	M4 × 8	4	043533
5	TRUSS HEAD SCREW	M4 × 30	4	001815
6	U-NUT	M8-3	4	043293
7	BACK COVER	S202008B	1	043537
8	NYLON NUT	M4	4	000481
9	HEX. SOCKET BOLT	M6 × 35	4	043540
10	CYLINDICAL SCREW	M8 × 25	4	043538
11	GRIP HANDLE	S304824B	1	043539
12	HEX. SOCKET BOLT FLANGED	M6 × 40	2	043541
14	CYLINDRICAL SCR W/PAD	M10 × 12	2	043536
16	SNAP RING-C	17	2	000272
17	RING BUSH	S409439-G02	2	043544
18	PNION GEAR SHAFT	S409177A	1	043542
19	NAME PLATE	S409440	1	043545
20	STOPPER KNOB	M10	1	042268
21	HEX. BOLT	M10 × 40(COPPE R)	1	042267
22	U-NUT	M10-3	1	043045



TS-092 QUICK RELEASE HANDLE

POS	PART NAME	DRAWING NO.	QTY	CPT CODE	
1	Q.R. HANDLE CPL. (AL)	S304878	1	043546	
2	Q.R. HANDLE (AL) L150 w/o RETAINER	S304878-1-4	1	043547	
3	RETAINER COMPLETE	S304483C-5-7	1	006095	
4	GRIP BALL DIA. 45	S408746A	2	042113	
5	THREADED BOLT	M12 × 40	2	042116	
6	SCREW	M5 × 6(SUS)	1	006091	
7	SPRING	G6971201	1	006092	
8	PIN	S406214	1	006093	
9	HANDLE BODY (AL)	S408442C-G01	1	042115	
10	HANDLE ROD (AL) L150	S409286	1	043548	



AB42 SWIVEL BASE AND COLUMN

POS	PART NAME	DRAWING NUMBER	QTY	CPT CODE	
1	RIVET (AL)	NSA 4-4	2	042108	
2	HEX SOCKET BOLT W/SW	M5 × 8	4	043564	
3	HEX. BOLT	M8 × 55	2	043557	
4	SPRING WASHER	2-8	2	042824	
6	TOP PLATE	S409339A	1	043559	
7	COLUMN (800L)	S304901	1	043586	
	COLUMN (560L)	S304899	1	043584	
8	RACK (800L)	S304896	1	043589	
	RACK (560L)	S409176	1	043563	
9	LEVELING BOLT(F) M10	S409438-G01	2	043555	
10	FLANGE NUT	2-M10	4	042096	
11	U-NUT	1-M14 × 1.5	2	043568	
12	PLAIN WASHER	POLISHED ROUND 14	2	043569	
13	BEAM	S409285A	2	043570	
14	HEX BOSS(F) M10	S409346	2	043553	
15	LEVELING BOLT(R) M10	S409438-G02	2	043556	
16	HEX BOSS(R) M10	S409347	2	043554	
18	CAUTION LABEL	S405393	1	006482	
19	PIPE BOSS	S409203-G02	1	043865	
20	INDICATION LABEL	S402976	1	000732	
22	PLAIN WASHER	POLISHED ROUND 10	3	001520	
23	PLATE 40	S405119A	1	006024	
24	ANGLE SCALE	S405321	1	006021	
25	WASHER	W3/8(t3.2)	1	006022	
26	HEX. BOLT	M10 × 80(10.9)	1	006023	
27	AB42 BASE PLATE	S100638A	1	043579	
	BASE AB42 CPL WITH BEAM			043577	
	COLUMN CPL. AB42 L800			043585	
	COLUMN CPL. AB42 L560			043583	

