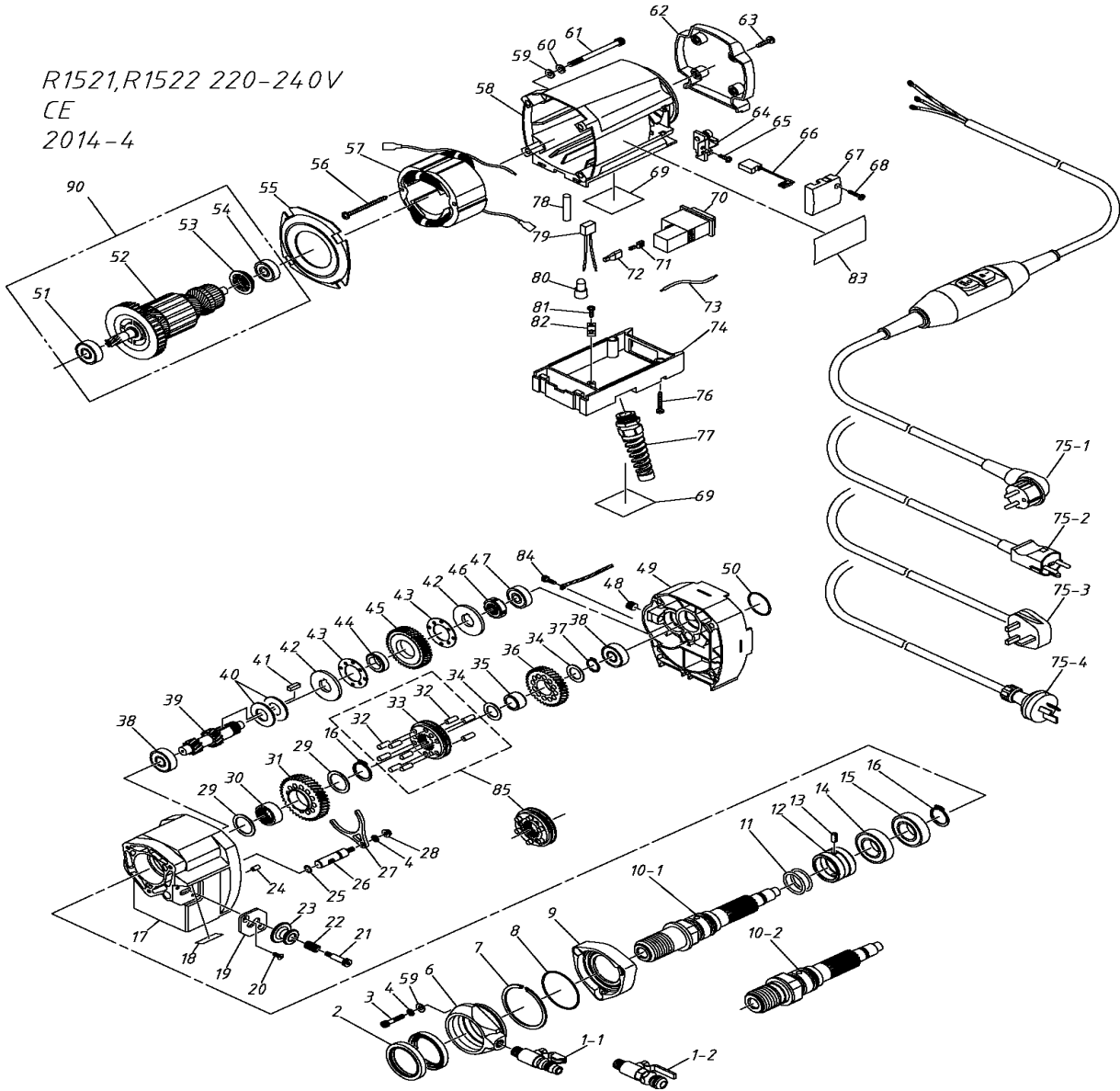


R1521 220-240V UNC CE SPARE PARTS LIST WITH PRICE 1/2

POS	PART NAME	RAWING NO. / SPE	QTY	CPT CODE	
1-1	WATER COCK-SHIBUYA	1/4- ϕ 16	1	000061	
1-2	WATER COCK-GARDENA	S409692	1	044137	
2	OIL SEAL	HMSA42557(SUS)	2	042178	
3	HEX. SOCKET BOLT	M5 \times 25	3	042179	
4	SPRING WASHER	5	3	042180	
6	SWIVEL RING	S304501A	1	042181	
7	SNAP RING	SA63	1	005085	
8	O-RING	S55	1	042182	
9	FIXING RING	S304502	1	042183	
10-1	SPINDLE (U)	S304554	1	042237	
10-2	SPINDLE (A)	S304552	1	042236	
11	O-RING	P28	2	000070	
12	SEAL RING	S408532	1	042139	
13	SPRING PIN	6 \times 12AW(SUS)	1	000004	
14	BALL BEARING	6005DDU	1	001694	
15	BALL BEARING	6005ZZ	1	041710	
16	SNAP RING-C	25	2	000689	
17	GEAR CASE	S100596	1	042185	
18	SHIFT POSTION STICKER	VV-920001	1	042186	
19	PLATE	S408688	1	042187	
20	SCREW COUNTERSUNK	M4 \times 10	2	000712	
21	STRIPPER BOLT	MSB6.5-20	1	006509	
22	COIL SPRING	S408727(P991907)	1	000171	
23	KNOB	S408999	1	043060	
24	PARARREL PIN	A5 \times 10	1	006559	
25	O-RING	P8	1	042190	
26	GEAR CHANGE SHAFT	S408686	1	042191	
27	LEVER	S408722	1	042192	
28	U-NUT FLANGED	M5	1	042193	
29	SHIM RING	S408597A	2	042194	
30	METAL	S408598	1	042195	
31	NO.6 GEAR	S408769	1	042196	
32	NEEDLE ROLLER	ϕ 6 \times 15	9	Available as Pos.#85 Clutch No.3 with Rollers	
33	CLUTCH NO.3	S408765	1		
34	SHIM RING	S408596A	2	042199	
35	METAL	S408810	1	042200	
36	NO.4 GEAR	S408591A	1	042201	
37	SNAP RING-C	17	1	000272	
38	BALL BEARING	6201ZZ	2	000028	
39	NO.3-5 GEAR	S304532	1	042203	
40	SPRING PLATE	MDS18-2	2	000014	
41	PARARREL KEY	5 \times 5 \times 15	1	008118	
42	CLUTCH	S408533	2	042145	
43	WASHER	S408534	2	042146	
44	METAL	S408718	1	042147	
45	NO.2 GEAR	S408717	1	042148	

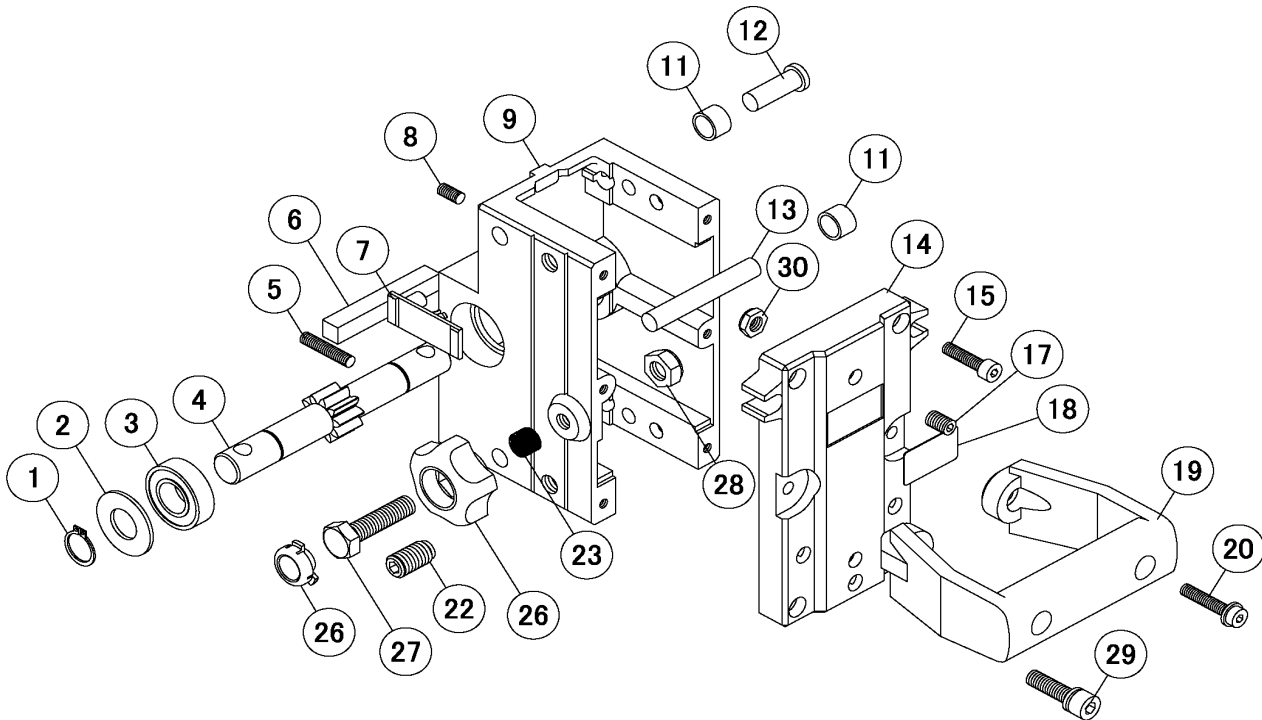
POS	PART NAME	RAWING NO. / SPE	QTY	CPT CODE	
46	TWIN FU NUT	TFU03SC	1	041776	
47	BALL BEARING	6200ZZ	1	000030	
48	HEX. SOCKET PLUG	1/8	1	005386	
49	BALL BEARIN COVER	S100597	1	042204	
50	O-RING	S32	1	005389	
51	BALL BEARING	6201DDW	1	042150	
52	ARMATURE 220-240V	VV-460003	1	042223	
53	COLLAR	6901068	1	042152	
54	BALL BEARING	6200VV	1	000122	
55	FAN CASING	VV-490008	1	042153	
56	TAPPING SCREW PANHEAD	5 × 60	2	042154	
57	FIELD COIL 220-240V	VV-500003	1	042221	
58	MOTOR HOUSING	VV-800001	1	042156	
59	WASHER	ROUND 6	7	042157	
60	SPRING WASHER	2-6	4	042158	
61	HEX. SOCKET BOLT	M6 × 75	4	042212	
62	TAIL COVER	VV-880001	1	042160	
63	TAPPING SCREW PANHEAD	5 × 20	4	042161	
64	BRUSH HOLDER	6570110	2	042162	
65	SCREW TRUSS PC	4 × 14	2	042163	
66	CARBON BRUSH	VV-540003	2	042224	
67	BRUSH COVER	VV-880002	2	042165	
68	TAPPING SCREW PANHEAD	4 × 20	2	042166	
69	MOTOR NAME PLATE	VV-910004	2	042234	
70	CIRCUIT PROTECTOR	3120-F524-H7T1-	1	042243	
71	FASTEN TERMINAL	OTP-225032-2	2	000057	
72	CAP	238035-09	2	000056	
73	LEAD WIRE	M410809-G03	1	000060	
74	SWITCH BOX	W-360002	1	042211	
75-1	PLUG W/ CABLE & PRCD	EU	1	042218	
75-2	PLUG W/ CABLE & PRCD	DK	1	042783	
75-3	PLUG W/ CABLE & PRCD	SA	1	050972	
75-4	PLUG W/ CABLE & PRCD	AU	1	051174	
76	TAPPING SCREW PANHEAD	4 × 30	2	042171	
77	CABLE SLEEVE	5311 1720	1	042690	
78	INSULATION TUBE	φ 8 × 40	1	042174	
79	CONDENSER	0.1 μ F	1	000059	
80	CLOSED-END CONNECTOR	5.5SD	2	000055	
81	TAPPING SCREW PANHEAD	4 × 16	2	005495	
82	CODER FIXER	6560067	1	042177	
83	CAUTION PLATE	VV-920002	1	042225	
84	SCREW PANHEAD W/SW	M4 × 10	1	000690	
85	CLUTCH NO.3 with Rollers	S409015	1	042700	
90	ARMATURE ASSY R15 (220-240V)			045356	

R1521,R1522 220-240V
CE
2014-4



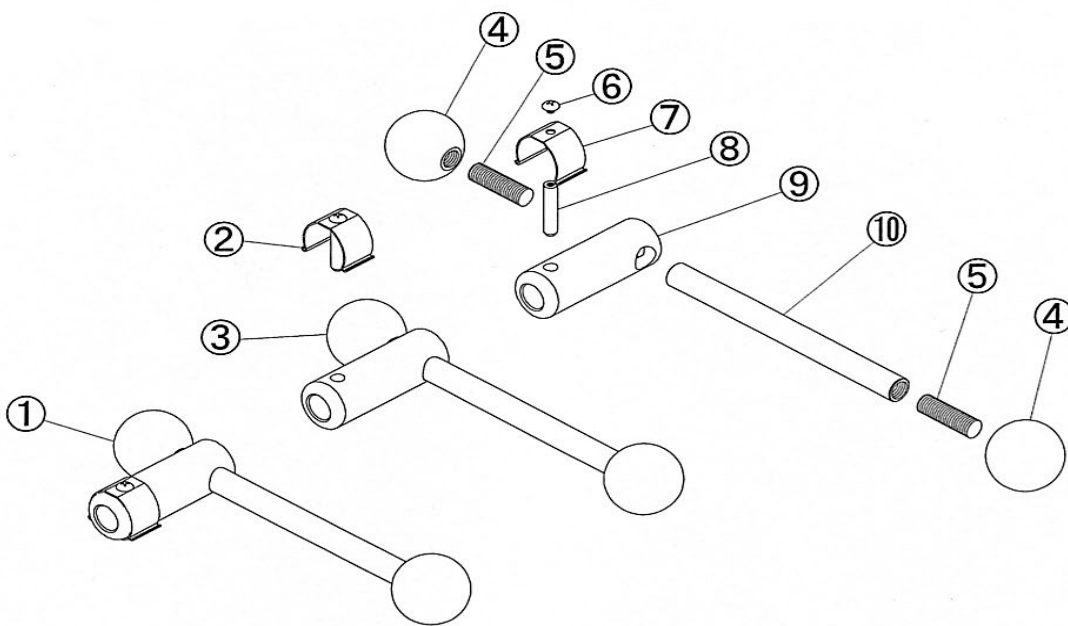
TS-162 / TSH-163 CARRIAGE BLOCK SPARE PARTS LIST WITH PRICE

POS	PART NAME	RAWING NO. / SPE	QTY	CPT CODE
1	SNAP RING-C	17	2	000272
2	COVER	S408719	2	042121
3	BALL BEARING	6003-2VU	2	048379
4	PNION GEAR	S408537A	1	042120
5	HEX. SOCKET SCREW	M6 × 30	2	042124
6	PARALLEL KEY	10 × 10 × 67	1	042134
7	SLIDING PLATE	S408681A	2	042125
8	HEX SOCKET SCREW	M6 × 12	2	042123
9	CARRIAGE BODY	S100594C	1	042118
11	ROLLER WITH BUSH	139102-00000	8	049273
12	ROLLER SHAFT(F)	S408538	4	042122
13	ROLLER SHAFT(R)	S408560A	2	042129
14	BACK COVER	S201900C	1	042127
15	HEX. SOCKET BOLT	M6 × 25	4	042131
17	HEX. SOCKET SCREW	M8 × 12	2	042130
18	NAME PLATE(TS-162)	S408792A-G01	1	042136
	NAME PLATE(TS-132)	S408792A-G02	1	042135
19	GRIP HANDLE(RESIN)	S304528A	1	042133
20	HEX. SOCKET BOLT FLANGED	M6 × 30	2	042132
22	HEX. SOCKET SCREW	S408820	2	042126
23	HELISERT	M10 × 1D	1	000714
26	STOPPER-KNOB	M10	1	042268
27	HEX. BOLT	M10 × 40(COPPER)	1	042267
28	U-NUT	M10-3	1	043045
29	HEX SOCKET BOLT	M8 × 30	3	042391
30	U-NUT	3-M8	2	043293



QUICK RELEASE HANDLE DIA.45 L=180 SPARE PARTS LIST WITH PRICE

POS	PART NAME	DRAWING NO.	QTY	CPT CODE	
1	Q.R. HANDLE CPL. (AL)	S304483B	1	042076	
2	RETAINER COMPLETE	S304483B-5-7	1	006095	
3	Q.R. HANDLE (AL) w/o RETAINER	S304483B-1-4	1	042112	
4	GRIP BALL DIA. 45	S408746	2	042113	
5	THREADED BOLT	M12 x 40	2	042116	
6	SCREW	M5 x 6(SUS)	1	006091	
7	SPRING	G6971201	1	006092	
8	PIN	S406214	1	006093	
9	HANDLE BODY (AL)	S408442C-G01	1	042115	
10	HANDLE ROD (AL)	S408443B-G01	1	042114	



TS-162 / TSH-163 AB52+Column 1000L SPARE PARTS PRICE LIST

POS	PART NAME	DRAWING NO.	QTY	CPT CODE	
5	HEX. SOCKET BOLT W/SW	M6 × 12	6	004672	
6	INDICATION LABEL	S406174	1	006477	
7	CAUTION LABEL	M405393	1	006482	
8	PIPE BOSS	S400441	1	005164	
9	HEX. BOLT	M12 × 70	1	042650	
10	SPRING WASHER	6-12	1	042098	
11	WASHER	φ 12.5 × φ 28 × t3 .2	4	042826	
12	PLATE 50	S405505	1	006480	
13	HEX. BOLT	M12 × 90 (10.9)	2	042827	
14	LEVELING BOLT(F)	S408561-G01	2	042094	
15	FLANGE NUT	2-M10	4	042096	
16	U-NUT	3-M16	2	042101	
17	PLAIN WASHER	POLISHED ROUND 16	2	042100	
18	BEAM	S408539	2	042099	
19	HEX. BOSS 2(F)	S408713	2	042092	
20	ANGLE SCALE	S405506	1	006478	
21	LEVELING BOLT(R)	S408561-G02	2	042095	
22	HEX. BOSS 2(R)	S408714	2	042093	
23	BASE PLATE	S100623	1	042828	
25	RACK GEAR	S404472	1	004670	
26	DEPTH GAUGE DECAL (mm)	S400044	1	000520	
	COLUMN AB52 1000L M16 (pos 27+7+8)		1	042929	
	COLUMN AB52 1000L M16 cpl. w/Rack (pos 5+6+7+8+25+26+27)		1	051682	

