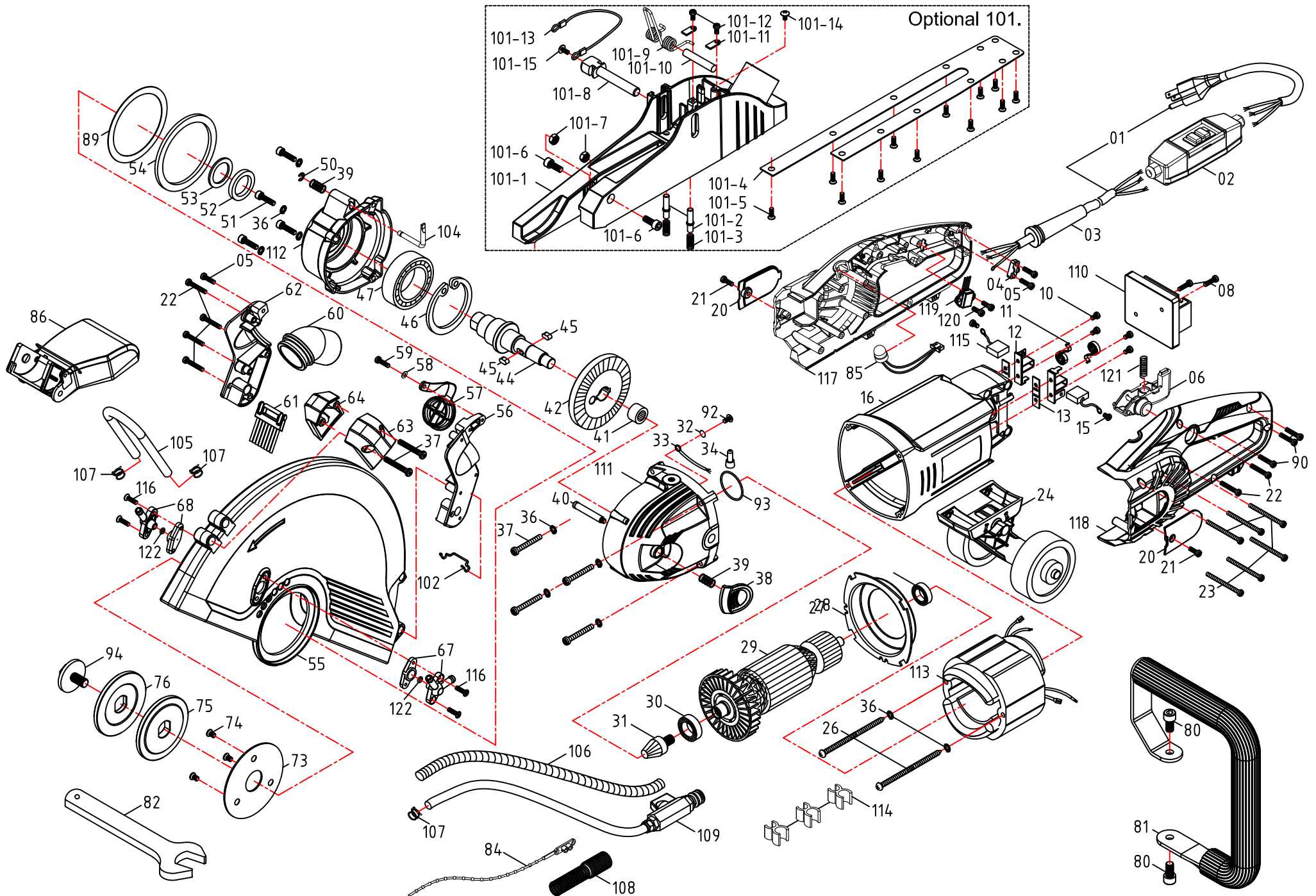


# MODEL : C14 - 14" (355mm) Concrete saw (AGP Europe)



# C14-220V(10203-014-206-4043-003-026)

## C14 CONCRETE SAW

### Remark :

1. Warranty period is within 1 year after end-user purchase. FOC spare parts provided. Serial No., photos and description required for warranty claims.

2. Which one is "wearing part" and which one is "recommended to be kept more in

ARTICLE NO.	NO.	PARTS NAME	Q'TY	ARTICLE NO.	NO.	PARTS NAME	Q'TY
206-031503300-01	1	POWER SUPPLY CABLE (VDE-1.5x3Cx3M-H	1	302-04003-000-123	44	SPINDLE (M10xP1.5-116.6MM)	1
304-03013-004-008	2	PRCD INTERRUPTER PROTECTION (220V)	1	421-05010-10	45	PARALLEL KEY (5x5x10)	2
303-02001-004-011	3	CORD ARMOR (Ø10.3)	1	422-R62-0	46	INTERNAL CIRCLIP (R-62)	1
303-01003-004-004	4	CABLE CLIP	1	302-05520-000-003	47	BALL BEARING (6206)	1
403-M04014003-160	5	PANHEAD TAPPING SCREW-B (M4x14)	3	422-E05-1	50	E-CLIP (E-5)	1
0299-0014-00164-026	6	SWITCH ACTUATOR (RED-187C)(LOCK-OFF	1	406-M05025080-160	51	SOCKET CAP SCREW (M5-0.8 x 25)	4
403-M04016003-160	8	PANHEAD TAPPING SCREW-B (M4x16)	2	303-02002-004-042	52	OIL SEAL (Ø25xØ35x5)	1
403-M04016003-020	10	PANHEAD TAPPING SCREW-B (M4x16)	4	308-03001-000-008	53	FELT OILER (Ø25xØ35x2.5)	1
302-04009-000-004	11	BRUSH SPRING (0.4x4x3T)	2	303-02065-004-001	54	RUBBER FENDER (Ø75xØ91x3.5)	1
307-02004-000-004	12	CARBON BRUSH HOLDER (7x17)	2	303-01342-004-001	56	DUST PORT BRACKET-LEFT (BLACK)	1
303-01303-005-002	13	INSULATION PLATE (10x38x1)	2	303-02051-000-001	57	DUST PORT PLUG	1
407-M04006070-030	15	PANHEAD MACHINE SCREW (M4-0.7 x 6)	2	424-041010-10	58	FLAT WASHER (Ø4xØ10x1)	1
0203-0085-00026-044	16	MOTOR HOUSING (GRAY-RAL7016)	1	403-M04010001-080	59	PANHEAD TAPPING SCREW-A (M4x10)	1
303-01340-026-003	20	CARBON CAP (GRAY-RAL7016)	2	303-01082-004-001	60	DUST ATTACHMENT (BLACK)	1
403-M04012003-080	21	PANHEAD TAPPING SCREW-B (M4x12)	2	203-0112-00004-001	61	BLADE GUARD BRUSH (BLACK)	1
403-M04025003-080	22	PANHEAD TAPPING SCREW-B (M4x25)	6	303-01342-004-002	62	DUST PORT BRACKET-RIGHT (BLACK)	1
403-M04050001-080	23	PANHEAD TAPPING SCREW-A (M4x50)	6	303-01344-004-001	63	TUBE GUIDE-LEFT (BLACK)	1
0299-0177-00000-001	24	GUIDE ROLLER ASSY.	1	303-01344-004-002	64	TUBE GUIDE-RIGHT (BLACK)	1
403-M05080001-050	26	PANHEAD TAPPING SCREW-A (M5x80)	2	0203-0113-00004-003	67	WATER NOZZLE ASSY.-L (BLACK)	1
302-05514-000-008	27	BALL BEARING (6200)	1	0203-0113-00004-004	68	WATER NOZZLE ASSY.-R (BLACK)	1
303-01057-004-022	28	FAN SHROUD (BLACK)	1	302-03227-903-001	73	RETAINING PLATE	1
299-0001-23000-135	29	ARMATURE (220V-100x54.1x65)	1	415-M05008080-000	74	FLAT HEAD MACHINE SCREW (M5-0.8 x 8)	3
302-05516-000-002	30	BALL BEARING (6202)	1	0202-0116-00903-002	75	INNER FLANGE (Ø25.4)	1
302-06018-000-008	31	BEVEL PINION GEAR (M2.35x6T)	1	302-04203-903-002	76	COUNTER FLANGE	1
426-040000-00	32	EXTERNAL STAR WASHER (M4)	1	406-M08016125-170	80	SOCKET CAP SCREW (M8-1.25 x 16)	2
306-01100720A035-01	33	WIRE LEAD (1007-20#35CM)	1	202-0036-00902-003	81	FRONT HANDLE	1
456-0	34	CRIMP CAP CONNECTOR (C4)	1	305-00302-004-002	82	WRENCH (M17)	1
425-050000-00	36	SPRING WASHER (M5)	10	423-00000-1	84	ZIP TIE (KTV-150BK)	1
403-M05035003-020	37	PANHEAD TAPPING SCREW-B (M5x35)	6	0299-0135-00000-003	85	LED INDICATOR LIGHT	1
203-0018-00004-002	38	SPINDLE LOCK BUTTON (BLACK)	1	0299-0184-00000-002	86	SPLASH GUARD	1
302-04026-901-082	39	SPRING (Ø0.9xØ7.4xØ9.2x5Tx16L)	2	308-03006-000-001	89	PLASTIC RING (Ø74xØ91.5x0.25)	1
302-04119-907-002	40	ARBOR LOCK	1	403-M04020001-160	90	PANHEAD TAPPING SCREW-A (M4x20)	3
302-05532-000-001	41	NEEDLE BEARING (TA1212)	1	405-M04010070-040	92	TRUSS HEAD MACHINE SCREW (M4-0.7 x 10	1
302-06015-000-032	42	BEVEL GEAR (M2.35x37T)	1	303-02009-004-090	93	O-RING (Ø35x1.5)	1

ARTICLE NO.	NO.	PARTS NAME	Q'TY
302-04414-000-002	94	BOLT (M10xP1.5)	1
302-04478-901-003	102	CLIP-FEMALE	1
302-04186-903-004	104	L-CLEVIS PIN	1
0205-0007-00000-033	105	TUBE (Ø6.4xØ10x0.24M)(GRAY)	1
0205-0008-00000-017	106	CABLE PROTECTOR (Ø10x75CM)	1
302-04478-903-002	107	CLIP	3
302-04502-903-002	108	SPRING	1
0299-0018-00000-053	109	WATER FEED CONNECTOR KIT	1
0204-0021-20000-070	110	ELECTRONICS UNIT (220V)	1
201-0002-00001-164	111	GEAR HOUSING (MATTE SILVER)	1
201-0003-00001-079	112	GEAR PLATE (MATTE SILVER)	1
299-0002-20000-165	113	STATOR (220V-100x54.1x65)	1
303-01299-000-003	114	HOSE JOINER (BLACK-Ø10xØ14.4)	3
305-00001-000-035	115	CARBON BRUSH (7x17x19)(220V)	2
413-M04014003-080	116	FLAT HEAD TAPPING SCREW-B (M4x14)	4
303-01065-004-019	117	HANDLE HALF-RIGHT (BLACK)	1
303-01066-004-019	118	HANDLE HALF-LEFT (BLACK)	1
204-0025-00000-004	119	HALL EFFECT SWITCH	1
403-M04012003-020	120	PANHEAD TAPPING SCREW-B (M4x12)	2
302-04171-000-001	121	SPRING (Ø0.8 x Ø6.4 x Ø8 x 9T x 26L)	1
303-02009-004-089	122	O-RING (Ø4x1.5)	2