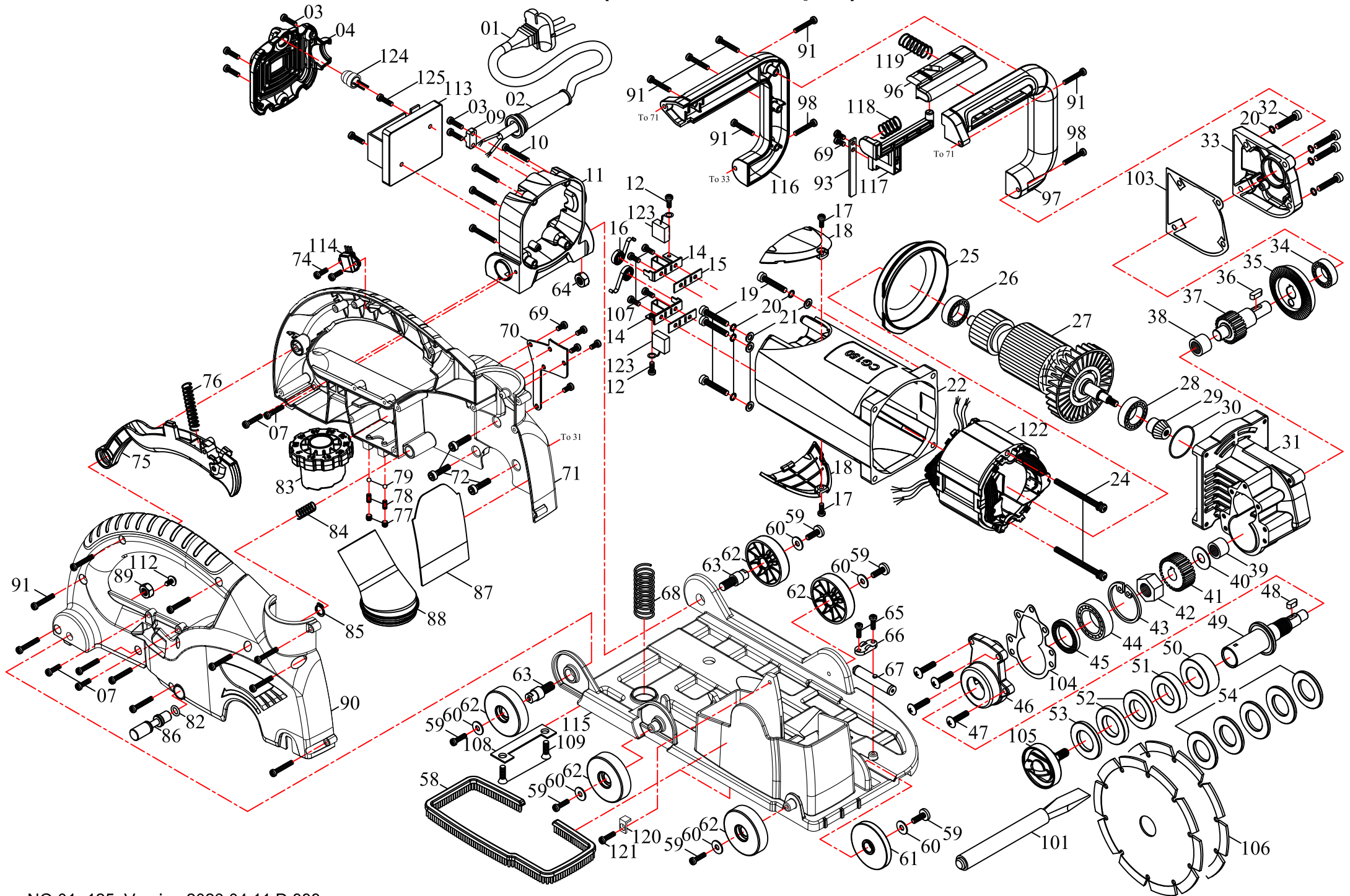


# MODEL : CG150 Wall Chaser (AGP Europe)



## CG150-220V(10203-006-229-3042-001-026)

## CG150 150mm (6") WALL CHASER

ARTICLE NO.	NO.	PARTS NAME	Q'TY	ARTICLE NO.	NO.	PARTS NAME	Q'TY
206-031502500-02	1	POWER SUPPLY CABLE (VDE-1.5x2Cx5M-H	1	302-05133-000-001	39	NEEDLE BEARING (TA 1010)	1
203-0004-00000-001	2	CORD ARMOR	1	302-05401-000-001	40	THRUST RING (1024)	1
403-M04014003-020	3	PANHEAD TAPPING SCREW-B (M4x14)	5	302-06008-000-057	41	OUTPUT GEAR (M1.25x27T)	1
303-01368-026-001	4	BUTT PLATE (GRAY-RAL7016)	1	418-M16000150-050	42	NYLOCK NUT (M16xP1.5)	1
403-M04016003-020	7	PANHEAD TAPPING SCREW-B (M4x16)	4	422-R40-0	43	INTERNAL CIRCLIP (R-40)	1
303-01003-004-004	9	CABLE CLIP	1	302-05517-000-002	44	BALL BEARING (6203)	1
402-M04030003-020	10	PANHEAD TAPPING SCREW-B-W/WASHER	4	308-03001-000-012	45	FELT OILER (Ø24xØ35x4)	1
203-0082-00026-001	11	MOTOR END CASTING (GRAY-RAL7016)	1	201-0003-00001-063	46	GEAR PLATE (SILVER)	1
407-M04006070-030	12	PANHEAD MACHINE SCREW (M4-0.7 x 6)	2	405-M05020080-040	47	TRUSS HEAD MACHINE SCREW (M5-0.8 x 2	4
307-02004-000-004	14	CARBON BRUSH HOLDER (7x17)	2	421-05012-10	48	PARALLEL KEY (5x5x12)	1
303-01303-005-002	15	INSULATION PLATE (10x38x1)	2	302-04003-000-165	49	SPINDLE (Ø22.2)	1
302-04009-000-004	16	BRUSH SPRING (0.4x4x3T)	2	301-03017-000-004	50	SPACER (Ø22.45-15MM)	1
403-M04010002-050	17	PANHEAD TAPPING SCREW-B (M4x10)	2	301-03017-000-003	51	SPACER (Ø22.45-10MM)	1
303-01340-026-001	18	BRUSH CAP (GRAY-RAL7016)	2	301-03017-000-002	52	SPACER (Ø22.45-6MM)	2
406-M05030080-160	19	SOCKET CAP SCREW (M5-0.8 x 30)	4	301-03017-000-001	53	SPACER (Ø22.45-4MM)	1
425-050000-00	20	SPRING WASHER (M5)	8	301-03017-000-009	54	SPACER (Ø22.45-3.1MM)	5
424-061010-20	21	FLAT WASHER (Ø6xØ10x1)	4	203-0112-00004-004	58	BRUSH	1
0203-0085-00026-051	22	MOTOR HOUSING (GRAY-RAL7016)	1	406-M05012080-080	59	SOCKET CAP SCREW (M5-0.8 x 12)	6
402-M05070003-020	24	PANHEAD TAPPING SCREW-B-W/WASHER	2	424-051410-20	60	FLAT WASHER (3/16"xØ14x1)	6
303-01057-004-029	25	FAN BAFFLE (BLACK)	1	301-03040-000-001	61	GUIDING ROLLER	1
302-05514-000-008	26	BALL BEARING (6200)	1	303-01369-164-001	62	GUIDING ROLLER (RED-187C)	5
299-0001-20000-234	27	ARMATURE (220V-94x54x55)	1	302-04145-914-001	63	ROLLER AXLE	2
302-05515-000-002	28	BALL BEARING (6201)	1	410-M08000125-080	64	HEX NUT (M8)	1
302-06018-000-012	29	BEVEL PINION GEAR (M1.5x11T)	1	407-M04012070-050	65	PANHEAD MACHINE SCREW (M4-0.7 x 12)	2
303-02009-004-071	30	O-RING (Ø32x1.5)	1	303-01003-004-002	66	CABLE CLIP	1
201-0002-00001-094	31	GEAR HOUSING (SILVER)	1	305-00378-000-001	67	LASER POINTER UNIT	1
406-M05025080-160	32	SOCKET CAP SCREW (M5-0.8 x 25)	4	302-04026-901-091	68	SPRING (Ø2.3xØ15.4xØ20x17Tx100L)	1
201-0031-00001-004	33	GEARCASE COVER (SILVER)	1	403-M04010003-160	69	PANHEAD TAPPING SCREW-B (M4x10)	7
302-05507-000-001	34	BALL BEARING (6001)	1	302-03245-903-001	70	PLATE	1
302-06015-000-025	35	BEVEL GEAR (M1.5x37T)	1	303-01370-026-004	71	INNER COVER (GRAY-RAL7016)	1
421-05015-00	36	PARALLEL KEY (5x5x15)	1	406-M05016080-090	72	SOCKET CAP SCREW (M5-0.8 x 16)	3
302-06004-000-071	37	INPUT SHAFT (M1.25x21T)	1	403-M04012003-020	74	PANHEAD TAPPING SCREW-B (M4x12)	2
302-05112-000-001	38	NEEDLE BEARING (HK 1212)	1	0299-0255-0164-003	75	TRIGGER (RED-187C)	1

ARTICLE NO.	NO.	PARTS NAME	Q'TY
302-04026-901-089	76	SPRING (Ø1.0xØ8.2xØ10.2x16Tx58L)	1
404-M05006070-000	77	SOCKET SET SCREW (M5-0.8 x 6)	2
302-04026-903-006	78	SPRING (Ø0.6xØ2.7xØ3.9x5Tx8.5L)	2
305-00013-000-009	79	CHECK BALL (Ø4)	2
303-02009-004-109	82	O-RING (Ø7x2)	1
303-01375-164-001	83	DEPTH ADJUSTER (RED-187C)	1
302-04026-901-049	84	SPRING (Ø1xØ5xØ7x15Tx30L)	1
422-S12-0	85	EXTERNAL CIRCLIP (S-12)	1
302-04233-914-006	86	LIMIT PIN	1
302-03139-000-002	87	GEAR COVER PLATE	1
303-01376-004-001	88	DUST COLLECTOR BASE	1
418-M08000125-050	89	NYLOCK NUT (M8xP1.25)	1
303-01371-026-004	90	OUTER COVER (GRAY-RAL7016)	1
403-M04025003-020	91	PANHEAD TAPPING SCREW-B (M4x25)	17
302-03246-903-001	93	PLUNGE LOCK FINGER	1
303-01379-164-002	96	PLUNGE RELEASE LEVER (RED-187C)	1
303-01380-026-002	97	FRONT HANDLE HALF-F (GRAY-RAL7016)	1
407-M04020070-050	98	PANHEAD MACHINE SCREW (M4-0.7 x 20)	2
305-00268-000-004	101	CHISEL	1
308-03002-000-005	103	GASKET	1
308-03002-000-006	104	GASKET	1
0299-0256-0000-002	105	ARBOR SCREW - TOOL FREE	1
305-00036-000-068	106	SAW BLADE (Ø150 x H10 x T2.6 x Ø22.23)-R	2
403-M04012002-050	107	PANHEAD TAPPING SCREW-B (M4x12)	4
302-03093-903-001	108	LIMIT PLATE	1
415-M04010070-140	109	FLAT HEAD MACHINE SCREW (M4-0.7 x 10)	2
496-M04008001-040	112	TRUSS HEAD TAPPING SCREW-A (M4x8)	1
204-0021-20000-077	113	ELECTRONICS UNIT (220V)	1
204-0025-00000-003	114	HALL EFFECT SWITCH	1
201-0037-00001-020	115	BASE ASSEMBLY (SILVER)	1
303-01377-026-003	116	FRONT HANDLE HALF-R (GRAY-RAL7016)	1
303-01378-004-003	117	PLUNGE LOCK CARRIER (RED-187C)	1
302-04026-903-015	118	SPRING (Ø1.0xØ8xØ10x10Tx38L)	1
302-04026-903-016	119	SPRING (Ø1.0xØ8xØ10x14Tx52L)	1
302-03013-903-003	120	L-TAB	1
415-M04008070-080	121	FLAT HEAD MACHINE SCREW (M4-0.7 x 8)	1
299-0002-20000-170	122	STATOR (220V-94x54X55)	1
305-00001-000-035	123	CARBON BRUSH (7x17x19)(220V)	2
0299-0135-00000-003	124	LED INDICATOR LIGHT	1
403-M04020003-020	125	PANHEAD TAPPING SCREW-B (M4x20)	2