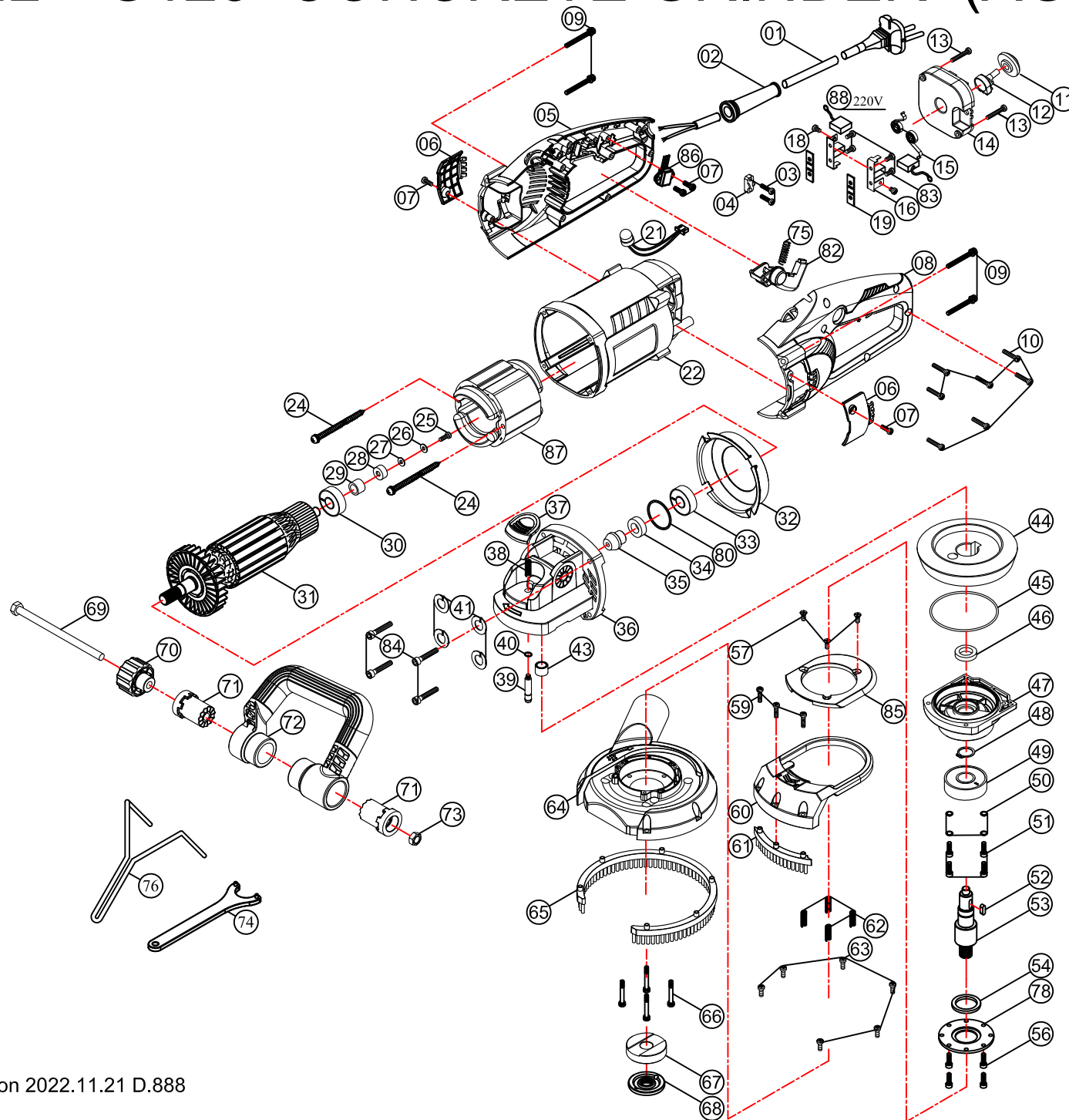


# MODEL : G125 CONCRETE GRINDER (AGP Europe)



**G125-220V(10204-005-207-4049-005-026)****G125 CONCRETE GRINDER**

ARTICLE NO.	NO.	PARTS NAME	Q'TY	ARTICLE NO.	NO.	PARTS NAME	Q'TY
206-031002300-03	1	POWER SUPPLY CABLE (VDE-1.0x2Cx3M-H	1	303-02009-004-098	45	O-RING (Ø72x2)	1
203-0004-00000-001	2	CORD ARMOR	1	303-02002-004-045	46	OIL SEAL (Ø15xØ24x5)	1
403-M04014003-020	3	PANHEAD TAPPING SCREW-B (M4x14)	2	201-0003-00001-070	47	GEAR PLATE (SILVER)	1
303-01003-004-004	4	CABLE CLIP	1	422-S17-0	48	EXTERNAL CIRCLIP (S-17)	1
303-01065-004-012	5	HANDLE HALF-RIGHT (BLACK)	1	302-05523-000-002	49	BALL BEARING (6303)	1
303-01340-004-002	6	CARBON CAP (BLACK)	2	425-040000-00	50	SPRING WASHER (M4)	4
403-M04012003-080	7	PANHEAD TAPPING SCREW-B (M4x12)	4	406-M04020070-080	51	SOCKET CAP SCREW (M4-0.7 x 20)	4
303-01066-004-012	8	HANDLE HALF-LEFT (BLACK)	1	421-05015-00	52	PARALLEL KEY (5x5x15)	1
403-M05045003-021	9	PANHEAD TAPPING SCREW-B-W/WASHER	4	302-04003-000-174	53	SPINDLE (M14xP2.0-112.1MM)	1
403-M04020001-080	10	PANHEAD TAPPING SCREW-A (M4x20)	7	303-02002-004-053	54	OIL SEAL (Ø24xØ32x4)	1
203-0010-00100-006	11	THUMB WHEEL (ORANGE-021C)	1	406-M04010070-160	56	SOCKET CAP SCREW (M4-0.7 x 10)	4
304-04004-000-025	12	RHEOSTAT	1	413-M04010003-020	57	FLAT HEAD TAPPING SCREW-B (M4x10)	3
402-M04030003-020	13	PANHEAD TAPPING SCREW-B-W/WASHER	2	403-M04014003-160	59	PANHEAD TAPPING SCREW-B (M4x14)	3
204-0021-20000-033	14	ELECTRONICS UNIT (220V)	1	303-01331-164-001	60	HALF-MOON DOOR (RED-187C)	1
302-04009-000-004	15	BRUSH SPRING (0.4x4x3T)	2	203-0112-00004-005	61	SKIRT BRUSH-SMALL (BLACK)	1
307-02004-000-004	16	CARBON BRUSH HOLDER (7x17)	2	302-04026-000-010	62	SPRING (Ø0.55xØ4.9xØ6x15Lx6T)	4
407-M04006070-050	18	PANHEAD MACHINE SCREW (M4-0.7 x 6)	2	403-M04010003-160	63	PANHEAD TAPPING SCREW-B (M4x10)	6
303-01303-005-002	19	INSULATION PLATE (10x38x1)	2	303-01081-004-007	64	DUST COVER (BLACK)	1
0299-0135-00000-003	21	LED INDICATOR LIGHT	1	203-0112-00004-006	65	SKIRT BRUSH-LARGE (BLACK)	1
303-01251-026-044	22	MOTOR HOUSING (GRAY-RAL7016)	1	302-04127-901-006	66	SHOULDER BOLT (M4-0.7 x 26)	4
299-0002-20000-155	23	STATOR (220V-81x46.4x55)	1	307-01004-004-001	67	INNER FLANGE (Ø22.2-12.4mm)	1
402-M05070003-020	24	PANHEAD TAPPING SCREW-B-W/WASHER	2	307-01005-004-001	68	OUTER FLANGE (M14)	1
407-M04010070-050	25	PANHEAD MACHINE SCREW (M4-0.7 x 10)	1	401-M08130125-080	69	HEX BOLT (M8-1.25 x 130)	1
424-041010-10	26	FLAT WASHER (Ø4xØ10x1)	1	303-01393-004-001	70	CLAMPING KNOB (BLACK)	1
432-M04000-00	27	RUBBER WASHER (Ø4xØ11x1)	1	303-01392-004-001	71	CLAMPING SLEEVE (BLACK)	2
302-01007-000-002	28	PICKUP MAGNET (Ø8xØ15x5)	1	303-01391-004-001	72	FRONT HANDLE (BLACK)	1
302-04018-901-001	29	SPACER (Ø8xØ12x10.5)	1	410-M08000125-080	73	HEX NUT (M8)	1
302-05514-000-008	30	BALL BEARING (6200)	1	305-00039-901-001	74	LOCK NUT WRENCH (30MM)	1
299-0001-23000-171	31	ARMATURE (220V-81x46.4x55)	1	302-04171-000-001	75	SPRING (Ø0.8 x Ø6.4 x Ø8 x 9T x 26L)	1
303-01057-004-031	32	FAN BAFFLE (BLACK)	1	302-04179-901-002	76	FACE SPANNER WRENCH (78MM)	1
302-05515-000-002	33	BALL BEARING (6201)	1	302-03182-903-005	78	BEARING PLATE	1
303-02002-004-035	34	OIL SEAL (Ø12xØ22x7)	1	303-02009-004-071	80	O-RING (Ø32x1.5)	1
302-06018-000-012	35	BEVEL PINION GEAR (M1.5x11T)	1	0299-0014-00004-019	82	SWITCH ACTUATOR (BLACK)(LOCK-ON)	1
201-0002-00001-108	36	GEAR HOUSING (SILVER)	1	403-M04010003-020	83	PANHEAD TAPPING SCREW-B (M4x10)	4
203-0018-00004-002	37	SPINDLE LOCK BUTTON (BLACK)	1	403-M05030003-080	84	PANHEAD TAPPING SCREW-B (M5x30)	4
302-04026-901-082	38	SPRING (Ø0.9xØ7.4xØ9.2x5T x16L)	2	303-01300-004-002	85	COVER PANEL (BLACK)	1
302-04119-907-003	39	ARBOR LOCK	1	204-0025-00000-004	86	HALL EFFECT SWITCH	1
303-02009-004-099	40	O-RING (Ø5x1)	1	299-0002-20000-168	87	STATOR (220V-81x46.4x55)	1
425-050000-00	41	SPRING WASHER (M5)	4	305-00001-000-035	88	CARBON BRUSH (7x17x19)(220V)	2
302-05107-000-003	43	NEEDLE BEARING (HK 1010)	1	303-01228-004-049	901	CARRY CASE (BLACK)	1
302-06015-000-025	44	BEVEL GEAR (M1.5x37T)	1				