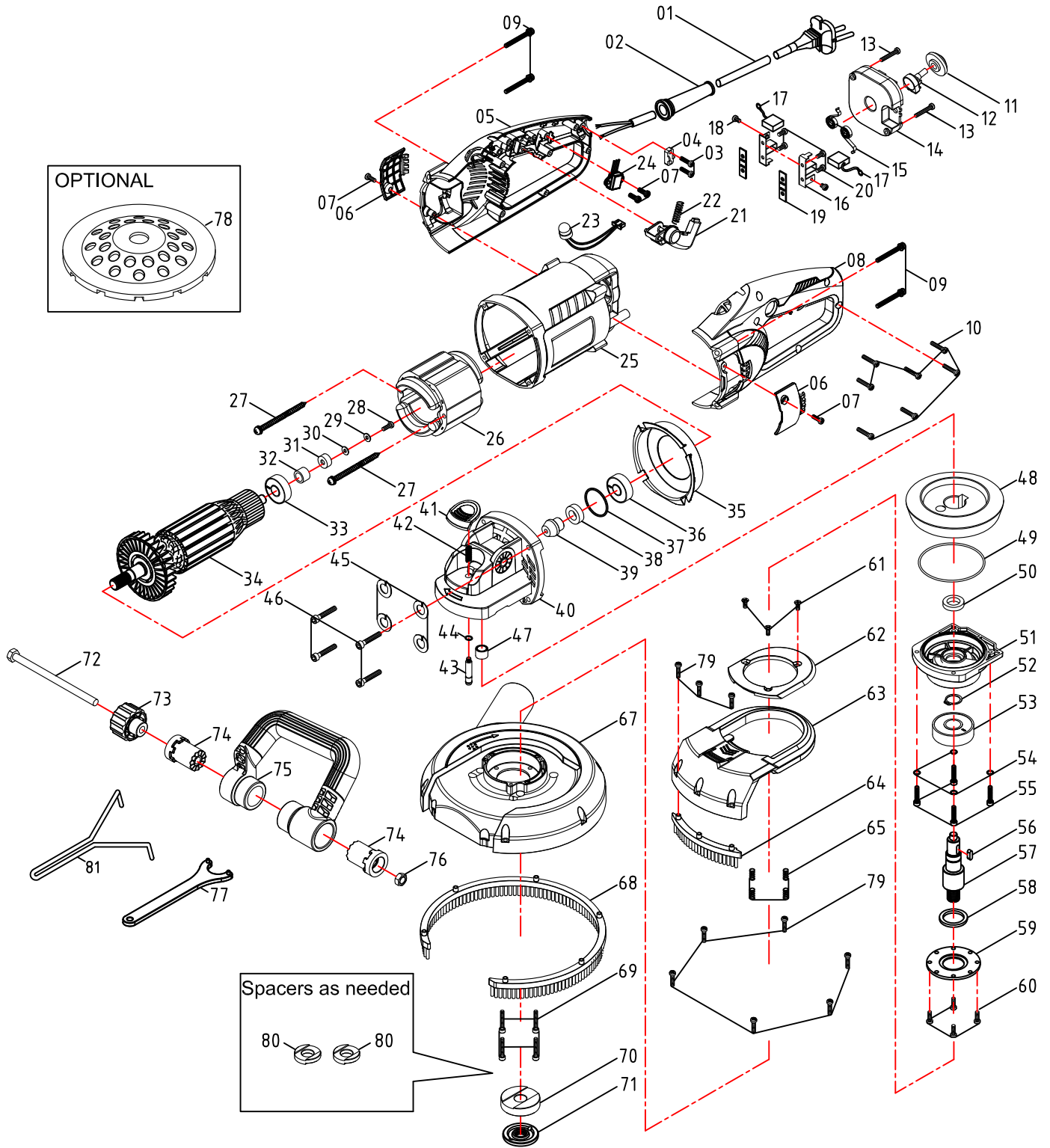


# MODEL : G180 CONCRETE GRINDER



# G180-220V(10204-007-207-4049-002-026)

## G180 CONCRETE GRINDER

ARTICLE NO.	NO.	PARTS NAME	Q'TY	ARTICLE NO.	NO.	PARTS NAME	Q'TY
206-031002300-03	1	POWER SUPPLY CABLE (VDE-1.0x2Cx3M-H	1	203-0018-00004-002	41	SPINDLE LOCK BUTTON (BLACK)	1
203-0004-00000-001	2	CORD ARMOR	1	302-04026-901-082	42	SPRING (Ø0.9xØ7.4xØ9.2x5Tx16L)	2
403-M04014003-020	3	PANHEAD TAPPING SCREW-B (M4x14)	2	302-04119-907-003	43	ARBOR LOCK	1
303-01003-004-004	4	CABLE CLIP	1	303-02009-004-099	44	O-RING (Ø5x1)	1
303-01065-004-012	5	HANDLE HALF-RIGHT (BLACK)	1	425-050000-00	45	SPRING WASHER (M5)	4
303-01340-004-002	6	CARBON CAP (BLACK)	2	403-M05030003-080	46	PANHEAD TAPPING SCREW-B (M5x30)	4
403-M04012003-080	7	PANHEAD TAPPING SCREW-B (M4x12)	4	302-05107-000-003	47	NEEDLE BEARING (HK 1010)	1
303-01066-004-012	8	HANDLE HALF-LEFT (BLACK)	1	302-06015-000-030	48	BEVEL GEAR (M1.5x43T)	1
403-M05045003-021	9	PANHEAD TAPPING SCREW-B-W/WASHER	4	303-02009-004-098	49	O-RING (Ø72x2)	1
403-M04020001-080	10	PANHEAD TAPPING SCREW-A (M4x20)	7	303-02002-004-045	50	OIL SEAL (Ø15xØ24x5)	1
203-0010-00100-006	11	THUMB WHEEL (ORANGE-021C)	1	201-0003-00001-070	51	GEAR PLATE (SILVER)	1
304-04004-000-025	12	RHEOSTAT	1	422-S17-0	52	EXTERNAL CIRCLIP (S-17)	1
402-M04030003-020	13	PANHEAD TAPPING SCREW-B-W/WASHER	2	302-05523-000-002	53	BALL BEARING (6303)	1
204-0021-20000-033	14	ELECTRONICS UNIT (220V)	1	425-040000-00	54	SPRING WASHER (M4)	4
302-04009-000-004	15	BRUSH SPRING (0.4x4x3T)	2	406-M04020070-080	55	SOCKET CAP SCREW (M4-0.7 x 20)	4
307-02004-000-004	16	CARBON BRUSH HOLDER (7x17)	2	421-05015-00	56	PARALLEL KEY (5x5x15)	1
305-00001-000-035	17	CARBON BRUSH (7x17x19)(220V)	2	302-04003-000-203	57	SPINDLE (M14xP2.0-124.1MM)	1
407-M04006070-050	18	PANHEAD MACHINE SCREW (M4-0.7 x 6)	2	303-02002-004-053	58	OIL SEAL (Ø24xØ32x4)	1
303-01303-005-002	19	INSULATION PLATE (10x38x1)	2	302-03182-903-005	59	BEARING PLATE	1
403-M04010003-020	20	PANHEAD TAPPING SCREW-B (M4x10)	4	406-M04010070-160	60	SOCKET CAP SCREW (M4-0.7 x 10)	4
0299-0014-00004-019	21	SWITCH ACTUATOR (BLACK)(LOCK-ON)	1	413-M04010003-020	61	FLAT HEAD TAPPING SCREW-B (M4x10)	3
302-04171-000-001	22	SPRING (Ø0.8 x Ø6.4 x Ø8 x 9T x 26L)	1	303-01300-004-002	62	COVER PANEL (BLACK)	1
0299-0135-00000-003	23	LED INDICATOR LIGHT	1	303-01331-164-003	63	HALF-MOON DOOR (RED-187C)	1
204-0025-00000-004	24	HALL EFFECT SWITCH	1	203-0112-00004-009	64	SKIRT BRUSH-SMALL (BLACK)	1
303-01251-026-044	25	MOTOR HOUSING (GRAY-RAL7016)	1	302-04026-000-010	65	SPRING (Ø0.55xØ4.9xØ6x15Lx6T)	4
299-0002-20000-168	26	STATOR (220V-81x46.4x55)	1	303-01081-004-009	67	DUST COVER (BLACK)	1
402-M05070003-020	27	PANHEAD TAPPING SCREW-B-W/WASHER	2	203-0112-00004-010	68	SKIRT BRUSH-LARGE (BLACK)	1
407-M04010070-050	28	PANHEAD MACHINE SCREW (M4-0.7 x 10)	1	302-04127-901-006	69	SHOULDER BOLT (M4-0.7 x 26)	4
424-041010-10	29	FLAT WASHER (Ø4xØ10x1)	1	307-01004-004-001	70	INNER FLANGE (Ø22.2-12.4mm)	1
432-M04000-00	30	RUBBER WASHER (Ø4xØ11x1)	1	307-01005-004-001	71	OUTER FLANGE (M14)	1
302-01007-000-002	31	PICKUP MAGNET (Ø8xØ15x5)	1	401-M08130125-080	72	HEX BOLT (M8-1.25 x 130)	1
302-04018-901-001	32	SPACER (Ø8xØ12x10.5)	1	303-01393-004-001	73	CLAMPING KNOB (BLACK)	1
302-05514-000-008	33	BALL BEARING (6200)	1	303-01392-004-001	74	CLAMPING SLEEVE (BLACK)	2
299-0001-23000-171	34	ARMATURE (220V-81x46.4x55)	1	303-01391-004-001	75	FRONT HANDLE (BLACK)	1
303-01057-004-031	35	FAN BAFFLE (BLACK)	1	410-M08000125-080	76	HEX NUT (M8)	1
302-05515-000-002	36	BALL BEARING (6201)	1	305-00039-901-001	77	LOCK NUT WRENCH (30MM)	1
303-02009-004-071	37	O-RING (Ø32x1.5)	1	403-M04016003-160	79	PANHEAD TAPPING SCREW-B (M4x16)	9
303-02002-004-035	38	OIL SEAL (Ø12xØ22x7)	1	302-02024-000-001	80	SPACER	2
302-06018-000-018	39	BEVEL PINION GEAR (M1.5x10T)	1	302-04179-901-001	81	FACE SPANNER WRENCH (93MM)	1
201-0002-00001-108	40	GEAR HOUSING (SILVER)	1				