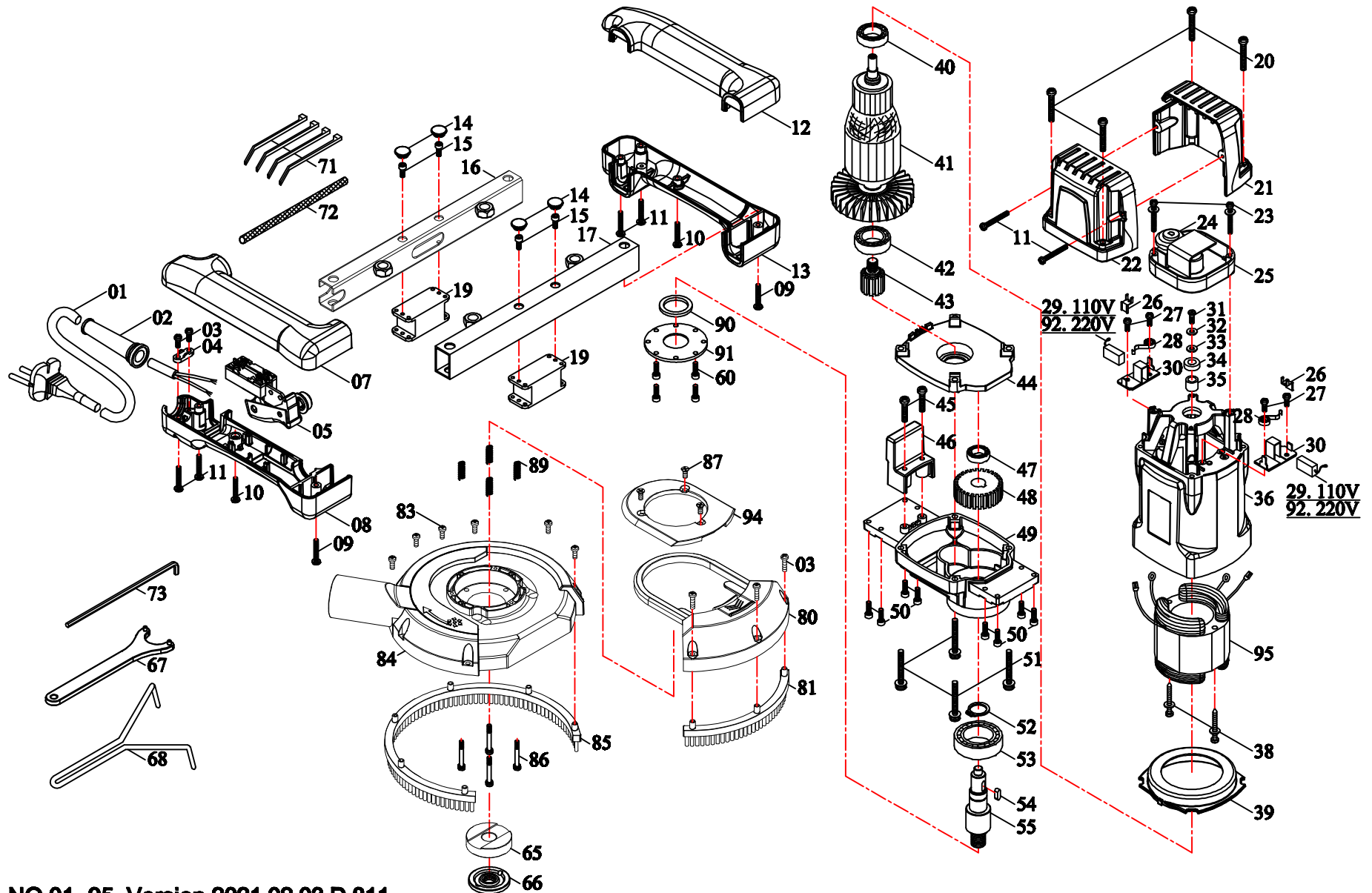


MODEL : G5 CONCRETE GRINDER (AGP Europe)



NO.01~95 Version 2021.02.03 D.811

G5-220V(10204-005-207-4049-009-100)**G5 CONCRETE GRINDER**

| ARTICLE NO. | NO. | PARTS NAME | Q'TY | ARTICLE NO. | NO. | PARTS NAME | Q'TY |
|---------------------|-----|-------------------------------------|------|---------------------|-----|--------------------------------------|------|
| 206-031502300-02 | 1 | POWER SUPPLY CABLE (VDE-1.5x2Cx3M-H | 1 | 302-05516-000-002 | 42 | BALL BEARING (6202) | 1 |
| 203-0004-00000-001 | 2 | CORD ARMOR | 1 | 302-06018-000-009 | 43 | ARMATURE GEAR (M1.5x12T) | 1 |
| 403-M04014003-020 | 3 | PANHEAD TAPPING SCREW-B (M4x14) | 5 | 201-0003-00164-059 | 44 | GEAR PLATE (RED-187C) | 1 |
| 303-01003-004-004 | 4 | CABLE CLIP | 1 | 407-M04025070-050 | 45 | PANHEAD MACHINE SCREW (M4-0.7 x 25) | 2 |
| 0299-0014-00004-012 | 5 | TRIGGER SWITCH (LOCK-ON)(BLACK) | 1 | 303-01215-004-002 | 46 | HANDLE BRACKET (BLACK) | 1 |
| 303-01001-004-012 | 7 | HANDLE HALF-RIGHT (BLACK) | 1 | 302-05502-000-001 | 47 | BALL BEARING (608) | 1 |
| 303-01001-004-013 | 8 | HANDLE HALF-RIGHT (BLACK) | 1 | 302-06008-000-046 | 48 | OUTPUT GEAR (M1.5x28T) | 1 |
| 403-M04035003-020 | 9 | PANHEAD TAPPING SCREW-B (M4x35) | 2 | 201-0002-00026-086 | 49 | GEAR HOUSING (GRAY-RAL7016) | 1 |
| 403-M04020003-020 | 10 | PANHEAD TAPPING SCREW-B (M4x20) | 2 | 406-M04012070-090 | 50 | SOCKET CAP SCREW (M4-0.7 x 12) | 8 |
| 403-M04025003-020 | 11 | PANHEAD TAPPING SCREW-B (M4x25) | 6 | 402-M05045003-020 | 51 | PANHEAD TAPPING SCREW-B-W/WASHER | 4 |
| 303-01002-004-012 | 12 | HANDLE HALF-LEFT (BLACK) | 1 | 422-S17-0 | 52 | EXTERNAL CIRCLIP (S-17) | 1 |
| 303-01002-004-013 | 13 | HANDLE HALF-LEFT (BLACK) | 1 | 302-05523-000-002 | 53 | BALL BEARING (6303) | 1 |
| 305-03358-000-001 | 14 | RUBBER PLUG | 4 | 421-05012-10 | 54 | PARALLEL KEY (5x5x12) | 1 |
| 406-M04006070-050 | 15 | SOCKET CAP SCREW (M4-0.7 x 6) | 4 | 302-04003-000-170 | 55 | SPINDLE (M14xP2.0-88MM) | 1 |
| 302-04450-903-001 | 16 | CROSS BAR LOWER | 1 | 406-M04010070-160 | 60 | SOCKET CAP SCREW (M4-0.7 x 10) | 4 |
| 302-04450-903-002 | 17 | CROSS BAR UPPER | 1 | 307-01004-004-001 | 65 | INNER FLANGE (Ø22.2-12.4mm) | 1 |
| 299-0178-00000-001 | 19 | ANTI-VIBRATION MOUNT | 2 | 307-01005-004-001 | 66 | OUTER FLANGE (M14) | 1 |
| 403-M05035003-160 | 20 | PANHEAD TAPPING SCREW-B (M5x35) | 4 | 305-00039-901-001 | 67 | LOCK NUT WRENCH (30MM) | 1 |
| 303-01008-004-018 | 21 | MOTOR TAIL CASTING (BLACK) | 1 | 302-04179-901-001 | 68 | FACE SPANNER WRENCH (93MM) | 1 |
| 303-01008-004-019 | 22 | MOTOR TAIL CASTING (BLACK) | 1 | 423-25100-2 | 71 | ZIP TIE (2.5x100MM) | 4 |
| 402-M04030003-020 | 23 | PANHEAD TAPPING SCREW-B-W/WASHER | 2 | 0205-0014-00000-003 | 72 | WIRE SLEEVE (Ø6x45CM) | 1 |
| 203-0010-00100-001 | 24 | THUMB WHEEL (ORANGE-021C) | 1 | 305-00010-904-013 | 73 | HEX KEY (M6) | 1 |
| 204-0004-22000-017 | 25 | ELECTRONICS UNIT (220V) | 1 | 303-01331-164-001 | 80 | HALF-MOON DOOR (RED-187C) | 1 |
| 305-00018-000-001 | 26 | THREE WIRE PUSH IN CONNECTOR | 2 | 203-0112-00004-005 | 81 | SKIRT BRUSH-SMALL (BLACK) | 1 |
| 403-M04010002-050 | 27 | PANHEAD TAPPING SCREW-B (M4x10) | 4 | 403-M04010003-020 | 83 | PANHEAD TAPPING SCREW-B (M4x10) | 6 |
| 302-04009-000-005 | 28 | BRUSH SPRING (0.35x4x4T) | 2 | 303-01081-004-007 | 84 | DUST COVER (BLACK) | 1 |
| 307-02006-000-002 | 30 | CARBON BRUSH HOLDER (7x17) | 2 | 203-0112-00004-006 | 85 | SKIRT BRUSH-LARGE (BLACK) | 1 |
| 407-M04010070-050 | 31 | PANHEAD MACHINE SCREW (M4-0.7 x 10) | 1 | 302-04127-901-006 | 86 | SHOULDER BOLT (M4-0.7 x 26) | 4 |
| 424-041010-10 | 32 | FLAT WASHER (Ø4xØ10x1) | 1 | 413-M04010003-020 | 87 | FLAT HEAD TAPPING SCREW-B (M4x10) | 3 |
| 432-M04000-00 | 33 | RUBBER WASHER (Ø4xØ11x1) | 1 | 302-04026-000-010 | 89 | SPRING (Ø0.55xØ4.9xØ6x15Lx6T) | 4 |
| 302-01007-000-002 | 34 | PICKUP MAGNET (Ø8xØ15x5) | 1 | 303-02002-004-053 | 90 | OIL SEAL (Ø24xØ32x4) | 1 |
| 302-04018-901-001 | 35 | SPACER (Ø8xØ12x10.5) | 1 | 302-03182-903-005 | 91 | BEARING PLATE | 1 |
| 0203-0085-00026-048 | 36 | MOTOR HOUSING (GRAY-RAL7016) | 1 | 305-00001-000-028 | 92 | CARBON BRUSH (7x17x20) | 2 |
| 402-M05060003-020 | 38 | PANHEAD TAPPING SCREW-B-W/WASHER | 2 | 303-01300-004-002 | 94 | COVER PANEL (BLACK) | 1 |
| 303-01057-004-005 | 39 | FAN BAFFLE (BLACK) | 1 | 299-0002-20000-191 | 95 | STATOR (220V-94x54X45) | 1 |
| 302-05514-000-008 | 40 | BALL BEARING (6200) | 1 | 303-01228-026-001 | 901 | CARRY CASE (RED-187C & GRAY-RAL7016) | 1 |
| 299-0001-20000-229 | 41 | ARMATURE (220V-94x54x45) | 1 | | | | |