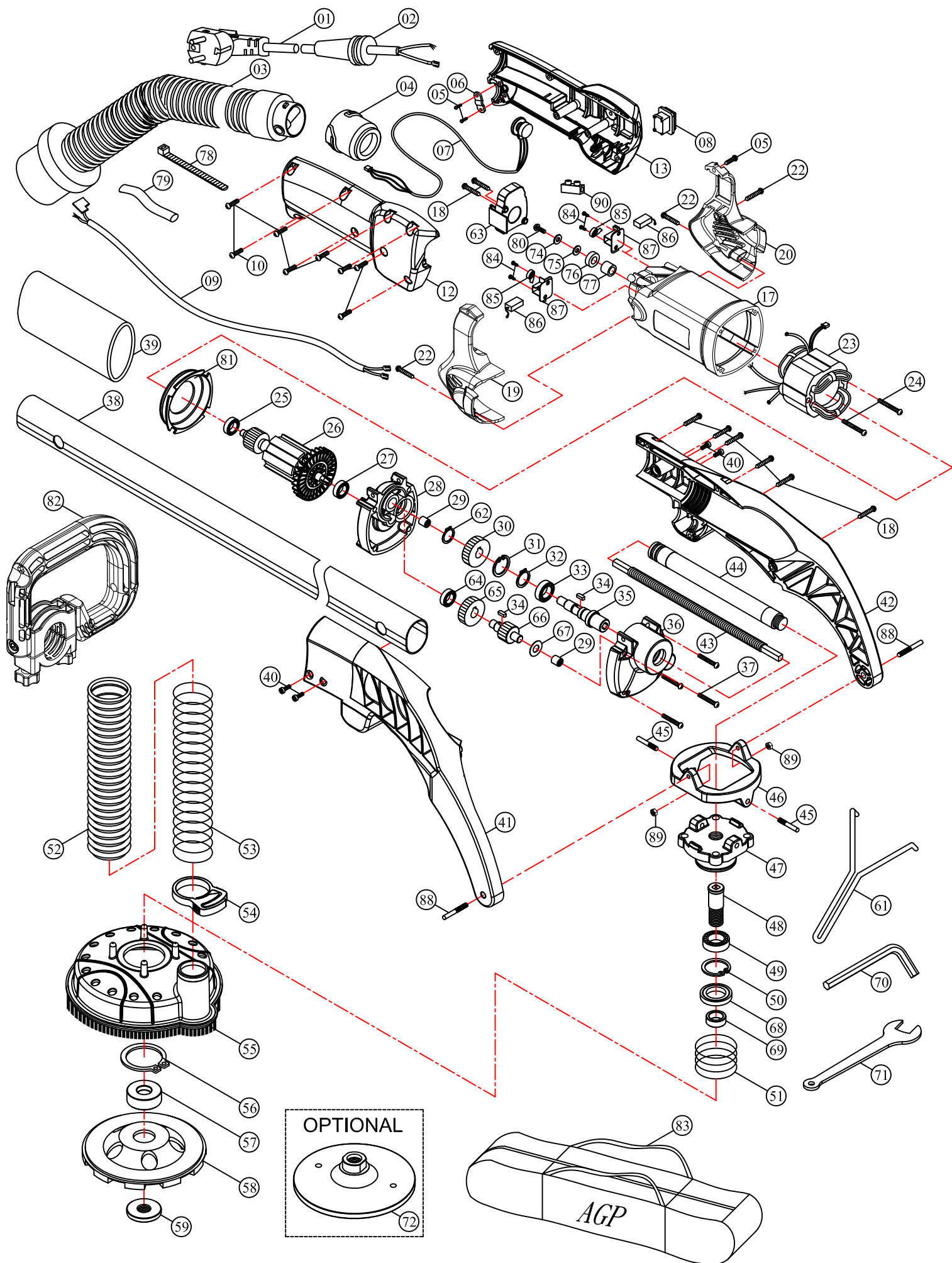


MODEL : LG125 LONG-REACH DIAMOND GRINDER



MODEL : LG125 LONG-REACH DIAMOND GRINDER (AGP Europe) Version 2.6

Delnummer	NO.	Parts Name	Q'TY	Delnummer	NO.	Parts Name	Q'TY
206-031002420-01	1.)	POWER SUPPLY CABLE (VDE-1.0x2Cx4.	1	201-0011-00001-001	47.)	PIVOT CONNECTING BRACKET (SIKVER)	1
203-0004-00000-001	2.)	CORD ARMOR	1	302-04025-000-002	48.)	CONNECTING SPINDLE (M14xP2.0)	1
0203-0007-00004-001	3.)	VACUUM EXTENSION HOSE	1	302-05508-000-007	49.)	BALL BEARING (6002)	1
303-01011-004-001	4.)	BAYONET HOSE CONNECTOR	1	422-R32-0	50.)	INTERNAL CIRCLIP (R-32)	1
403-M04014003-020	5.)	PANHEAD TAPPING SCREW-B (M4x14)	3	302-04026-901-001	51.)	SPRING (Ø2xØ45xØ49x40Lx4T)	1
303-01003-004-001	6.)	CABLE CLIP	1	303-02015-004-001	52.)	VACCUM HOSE	1
0299-0033-00050-001	7.)	SPEED CONTROL RHEOSTAT (BLUE-28	1	302-04027-901-001	53.)	SPRING (Ø1xØ30xØ32x363Lx30T)	1
304-03004-004-001	8.)	MOTOR SWITCH (110V&220V)	1	303-01019-004-001	54.)	PLASTIC CLIP (BLACK)	1
206-020752098-01	9.)	WIRE (0.75x2Cx98CM-H05VVF)	1	203-0008-00004-007	55.)	SANDING PLATE COVER (5')(BLACK)	1
403-M04016003-020	10.)	PANHEAD TAPPING SCREW-B (M4x16)	8	422-S40-0	56.)	EXTERNAL CIRCLIP (S-40)	1
303-01044-004-002	12.)	HANDLE HALF-RIGHT (BLACK)	1	302-04222-903-001	57.)	INNER FLANGE (Ø22.2)	1
303-01045-004-002	13.)	HANDLE HALF-LEFT (BLACK)	1	305-00072-000-020	58.)	5" DIAMOND GRINDING HEAD (100/120)	1
303-01251-050-038	17.)	MOTOR HOUSING (BLUE-285C)	1	302-04176-903-002	59.)	ARBOR WASHER (M14xØ35)	1
403-M04020003-020	18.)	PANHEAD TAPPING SCREW-B (M4x20)	8	302-04179-901-002	61.)	FACE SPANNER WRENCH (78MM)	1
303-01055-004-002	19.)	MOTOR REAR BRACKET-RIGHT (BLACK)	1	422-S10-0	62.)	EXTERNAL CIRCLIP (S10)	1
303-01056-004-002	20.)	MOTOR REAR BRACKET-LEFT (BLACK)	1	204-0011-22000-001	63.)	SPEED CONTROL + SOFT START (220V)	1
403-M04025003-020	22.)	PANHEAD TAPPING SCREW-B (M4x25)	3	302-05502-000-001	64.)	BALL BEARING (608)	1
299-0002-20000-016	23.)	STATOR (220V-62x36.5x50)	1	302-06005-000-012	65.)	INPUT GEAR (M1.0x25T)	1
403-M04060003-021	24.)	PANHEAD TAPPING SCREW-B-PARTIAL	2	302-06004-000-021	66.)	INPUT SHAFT (M1.25x12T)	1
302-05502-000-004	25.)	BALL BEARING (608)	1	302-05402-000-001	67.)	THRUST RING (Ø816)	1
299-0001-20000-044	26.)	ARMATURE (220V-62x36.5x50)	1	303-02002-004-003	68.)	OIL SEAL (Ø20xØ32x5)	1
302-05506-000-004	27.)	BALL BEARING (6000)	1	302-04029-903-001	69.)	SHAFT RACE (Ø15xØ20x7.5)	1
201-0003-00001-022	28.)	GEAR PLATE (SILVER)	1	305-00010-901-003	70.)	HEX KEY (M6)	1
302-05105-000-003	29.)	NEEDLE BEARING (HK 0810)	2	302-03069-902-002	71.)	WRENCH (M17)	1
302-06008-000-015	30.)	OUTPUT GEAR (M1.25x21T)	1	424-041010-10	74.)	FLAT WASHER (Ø4xØ10x1)	1
422-R28-0	31.)	INTERNAL CIRCLIP (R-28)	1	432-M04000-00	75.)	RUBBER WASHER (Ø4xØ11x1)	1
422-S12-0	32.)	EXTERNAL CIRCLIP (S-12)	1	302-01007-000-002	76.)	PICKUP MAGNET (Ø8xØ15x5)	1
302-05507-000-011	33.)	BALL BEARING (6001)	1	302-04018-901-001	77.)	SPACER (Ø8xØ12x10.5)	1
421-04008-10	34.)	PARALLEL KEY (4x4x8)	2	423-24080-0	78.)	ZIP TIE (2.4x80MM)	1
302-04003-000-052	35.)	SPINDLE (M14xP2.0)	1	0205-0014-00000-006	79.)	WIRE SLEEVE (Ø6x6CM)	1
201-0002-00001-037	36.)	GEAR HOUSING (SILVER)	1	407-M04008070-050	80.)	PANHEAD MACHINE SCREW (M4x8xP0.7)	1
402-M04045001-050	37.)	PANHEAD TAPPING SCREW-A-W/WASH	4	303-01057-004-006	81.)	FAN SHROUD (BLACK)	1
201-0008-00902-011	38.)	EXTENSION COLUMN (L1000MM)	1	0203-0050-00004-003	82.)	BAIL HANDLE (BLACK)	1
303-02005-004-003	39.)	FOAM HANDLE GRIP (250MM)	1	308-01001-099-001	83.)	CARRY BAG (BLUE/BLACK/BLUE)	1
406-M05010080-070	40.)	SOCKET CAP SCREW (M5x10xP0.8)	4	403-M04010002-050	84.)	PANHEAD TAPPING SCREW-B (M4x10)	4
303-01053-004-001	41.)	RIGHT FORK ARM (BLACK)	1	302-04009-000-003	85.)	BRUSH SPRING (0.35x3x3.5T)	2
303-01054-004-001	42.)	LEFT FORK ARM (BLACK)	1	305-00001-000-008	86.)	CARBON BRUSH (7x11x17)	2
302-04024-000-001	43.)	SECONDARY DRIVE SHAFT (320MM)	1	307-02005-000-001	87.)	BRUSH HOLDER (7x11)	2
303-02006-004-002	44.)	DRIVE SHAFT COVER	1	302-04052-903-002	88.)	SCREW	2
302-04052-903-001	45.)	SCREW	2	418-M05000080-050	89.)	NYLOCK NUT (M5xP0.8)	2
201-0012-00001-001	46.)	PIVOT BASE (SILVER)	1	0205-0022-00000-001	90.)	TERMINAL CONNECTOR BLOCK (PA-8-H)	1