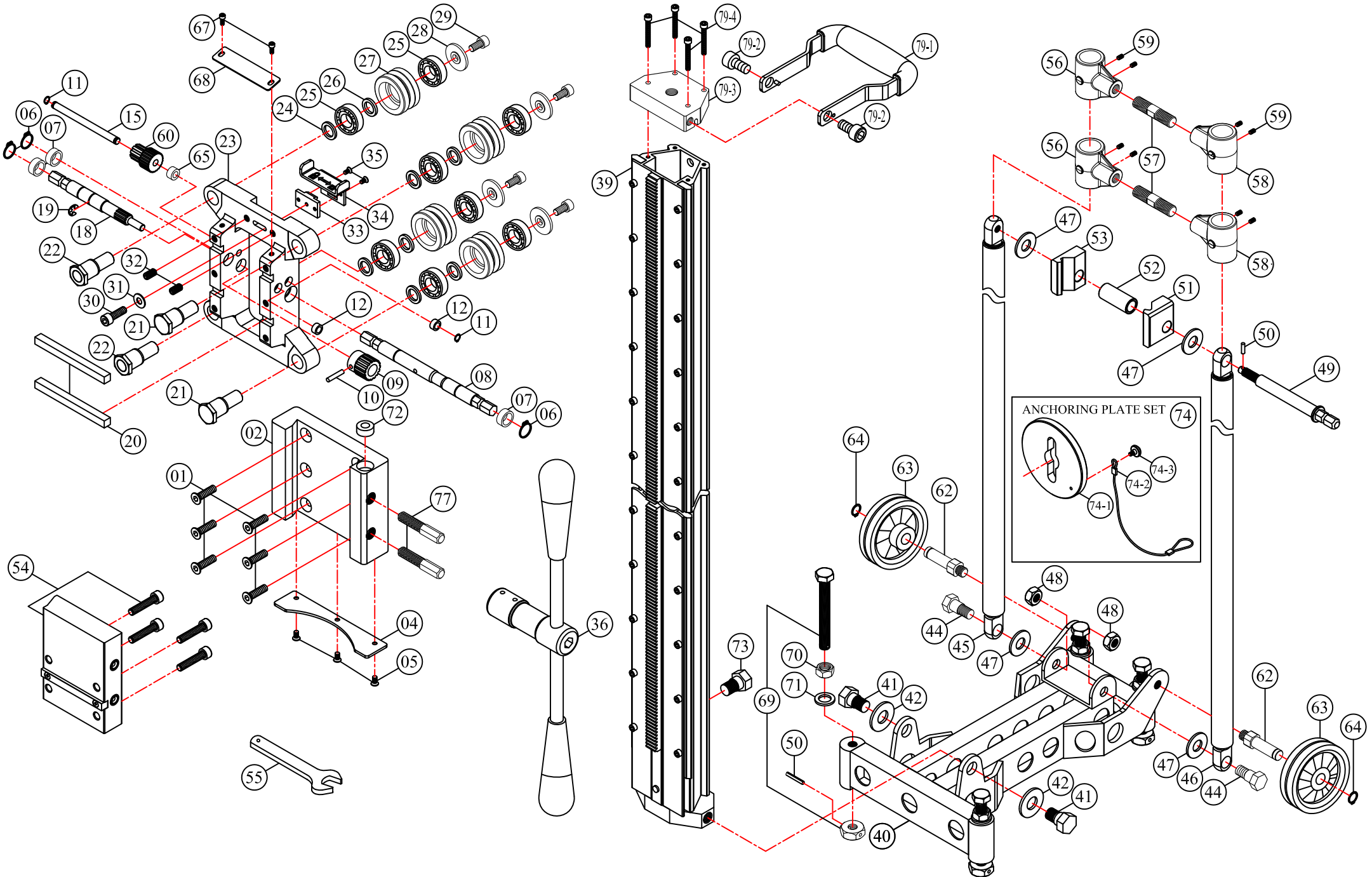


# MODEL : S500/1.6M Stand (AGP Europe)



## S500/1.6M DIAMOND CORE DRILL STANDS

ARTICLE NO.	NO.	PARTS NAME	Q'TY	ARTICLE NO.	NO.	PARTS NAME	Q'TY
419-M08030125-080	1	FLAT HEAD SOCKET CAP SCREW (M8-1.25 x 16)	6	418-M12000175-080	48	NYLOCK NUT (M12xP1.75)	2
0299-0155-00000-003	2	CRADLE	1	302-04437-903-001	49	ANGLE LOCK	1
302-03135-903-001	4	CRADLE PLATE	1	462-10	50	ROLL PIN (Ø4x25)	5
415-M05012080-080	5	FLAT HEAD MACHINE SCREW (M5-0.8 x 12)	3	201-0133-0906-001	51	CLAMP CLAW-LEFT	1
422-S15-0	6	EXTERNAL CIRCLIP (S-15)	3	302-04295-903-001	52	SPACER	1
307-01003-000-025	7	BUSHING (Ø15xØ20x10)	3	201-0133-0906-002	53	CLAMP CLAW-RIGHT	1
302-04012-907-003	8	CRANK SPINDLE	1	0299-0036-00000-004	54	MOUNTING SPACER (130mm)	1
302-06044-907-003	9	CRANK GEAR (M1.5x16T)	1	305-00302-004-003	55	WRENCH (M19)	1
462-15	10	ROLL PIN (Ø5x25)	1	203-0107-00004-001	56	BRACING COLLAR-L (BLACK)	2
422-S08-0	11	EXTERNAL CIRCLIP (S-8)	2	302-04331-907-003	57	TURNBUCKLE SHAFT (M14xP2.0x60L)	2
307-01003-000-005	12	BUSHING (Ø8xØ12x6)	2	203-0107-00004-002	58	BRACING COLLAR-R (BLACK)	2
302-04427-907-002	15	INTERMEDIATE SHAFT	1	404-M05006070-050	59	SOCKET SET SCREW (M5-0.8 x 6)	8
302-04426-907-002	18	REDUCTION CRANK PINION	1	0202-0110-00000-001	60	REDUCTION GEAR SET	1
422-E12-0	19	E-CLIP (E-12)	1	302-04145-903-003	62	ROLLER AXLE	2
305-00317-000-001	20	MOUNTING TENON (10x10x115)	2	305-00097-000-001	63	WHEEL	2
302-04428-907-003	21	AXLE SHAFT	2	422-S13-0	64	EXTERNAL CIRCLIP (S-13)	2
302-04429-907-003	22	ECCENTRIC SHAFT	2	302-04051-903-003	65	HEAD LOCKING KNOB (Ø8xØ14x7.5)	1
201-0072-00913-003	23	CARRIAGE	1	406-M05010080-080	67	SOCKET CAP SCREW (M5-0.8 x 10)	2
302-03215-907-001	24	AXLE SPACER C	4	302-03018-903-002	68	FENCE	1
302-05516-000-003	25	BALL BEARING (6202)	8	302-04497-903-002	69	LEVELING SCREW	4
302-03215-903-001	26	AXLE SPACER B	4	410-M12000175-080	70	HEX NUT (M12-1.75)	4
302-04229-907-001	27	GUIDE ROLLER	4	424-132320-20	71	FLAT WASHER (Ø13.2xØ23x2)	4
302-04432-903-001	28	AXLE SPACER A	4	305-00093-000-001	72	BULLS-EYE LEVEL	1
406-M08016125-160	29	SOCKET CAP SCREW (M8-1.25 x 16)	4	302-04433-903-005	73	SHOULDER BOLT	1
406-M05020080-160	30	SOCKET CAP SCREW (M5-0.8 x 20)	1	0299-0296-00000-001	74	ANCHORING PLATE SET	1
424-051210-20	31	FLAT WASHER (Ø5xØ12x1)	1	302-04434-000-002	77	CRADLE LOCK BOLT (M12xP1.75x70L)	4
302-04420-901-003	32	DETENT UNIT (M8-1.25 x 16.75)	2	0299-0211-0000-001	79	AUXILIARY HANDLE SET	1
302-02022-903-001	33	CARRIAGE LOCK	1	202-0036-00902-001	79-1	FRONT HANDLE	1
0202-0136-00903-001	34	CARRIAGE LOCK LEVER	1	406-M12016175-080	79-2	SOCKET CAP SCREW (M12-1.75 x 16)	2
415-M04006070-080	35	FLAT HEAD MACHINE SCREW (M4-0.7 x 6)	2	301-03036-906-001	79-3	COLUMN CAP	1
0299-0153-00000-001	36	CRANK HANDLE	1	406-M05035080-080	79-4	SOCKET CAP SCREW (M5-0.8 x 35)	4
0299-0156-00000-025	39	COLUMN (1600MM)	1				
302-03037-903-015	40	BASE	1				
302-04433-903-001	41	SHOULDER BOLT	2				
424-163030-20	42	FLAT WASHER (5/8"xØ30x3)	2				
302-04433-903-002	44	SHOULDER BOLT	2				
0299-0157-00000-004	45	BUTTRESS BAR (L-1000MM)	1				
0299-0157-00000-005	46	BUTTRESS BAR (R-1000MM)	1				
424-143225-20	47	FLAT WASHER (Ø14.3xØ32x2.5)	4				