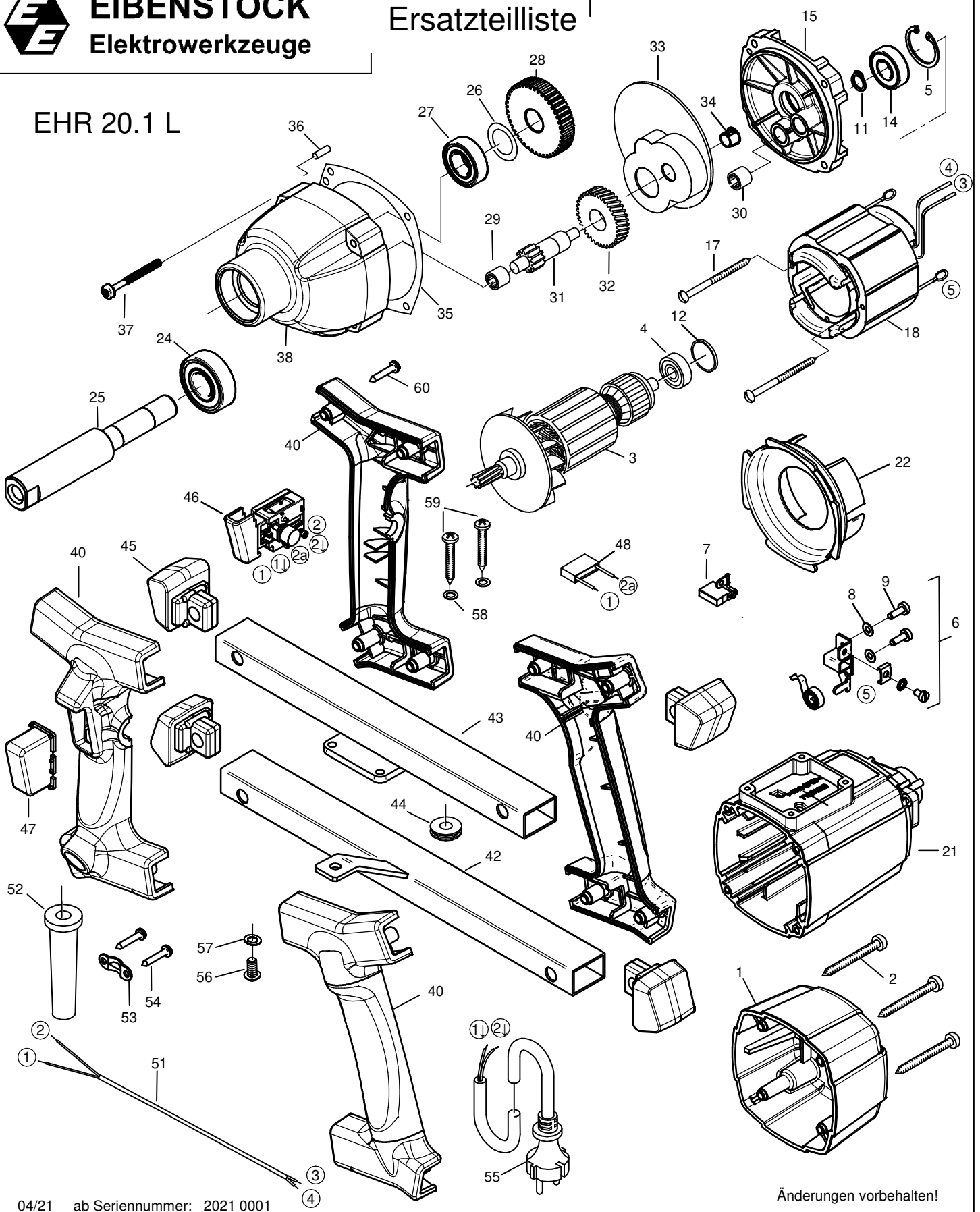




EIBENSTOCK
Elektrowerkzeuge

Ersatzteilliste

EHR 20.1 L



04/21 ab Seriennummer: 2021 0001

Änderungen vorbehalten!

27701000-03



07701000

EHR 20.1 L - 230V

Version: 03

Dated: 21.03.2023

Pos.	Description	Item No.	pc.	Pos.	Description	Item No.	pc.
1	Cap	677D1004	1	51	Interconnecting wire	80600072	1
2	Screw 4,8x45	80201267	4	52	Cable grommet	83000004	1
3	Rotor, compl. 230V	7731S100	1	53	Wire locking flange	85000020	1
4	Grooved ball bearing 608 2Z	80410011	1	54	Screw 4,2x13	80201270	2
5	Retaining ring 28x1,2	80201333	1	55	Connecting cable 2x1mm ² 3m	80600470	1
6	Brush holder, compl.	80201196	2	56	Screw M6x12	80201209	1
7	Carbon brush 6,3x10x18	80700013	2	57	Spring lock washer 6	80201303	1
8	Spring washer 4	80201385	4	58	Spring lock washer 5	80201302	4
9	Screw M4x12	80201180	4	59	Screw 5x18	80201539	4
11	Retaining ring 10x1	80201305	1	60	Screw 5x30	80201411	8
12	O-ring 22x2,5	83000036	1				
14	Grooved ball bearing 6001 2Z	80410031	1				
15	End shield of gearing	6732N002	1				
17	Screw 3,9x60	80201266	2				
18	Stator, compl. 230V	77117150	1				
21	Motor housing	6732Y002	1				
22	Air-guiding ring	6732Y001	1				
24	Grooved ball bearing 6203 2RS	80410130	1				
25	Mixing spindle	7731S420	1				
26	Shim ring 17x24x0,2	80200507	1				
27	Grooved ball bearing 6003 2RS	80410043	1				
28	Spindle wheel	7731C430	1				
29	Needle sleeve HK1010	80420115	1				
30	Needle sleeve HK0810	80420110	1				
31	Pinion shaft	7731C490	1				
32	Intermediate wheel	74010470	1				
33	Grease compartment barrier	80900119	1				
34	Plug	80900201	1				
35	Gearbox seal	82000507	1				
36	Grooved pin 4x12	80200582	1				
37	Screw 5x50	80201449	4				
38	Gearbox housing	7731S400	1				
40	Pair of handle halves S	7711P26U	1				
42	Side plate 1	7732N591	1				
43	Side plate 2	7732N592	1				
44	Cable grommet HV1305	83000051	1				
45	Rubber buffer	77420594	4				
46	Switch	80600527	1				
47	Trigger cover	77420365	1				
48	Capacitor	80500037	1				

as of serial number: 2021 0001