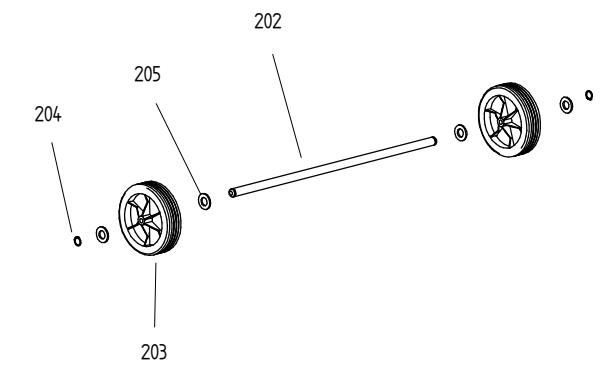
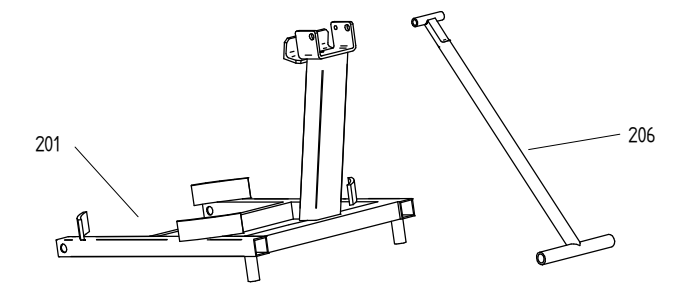
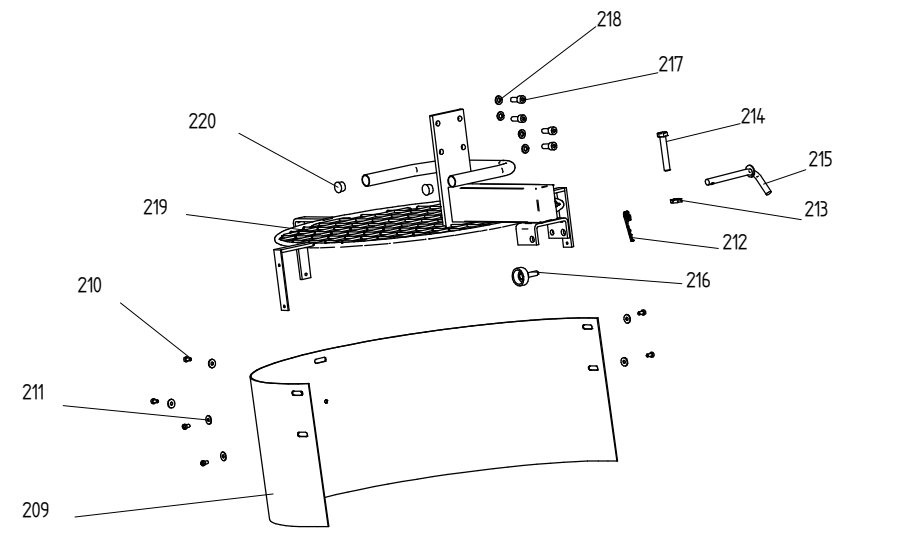
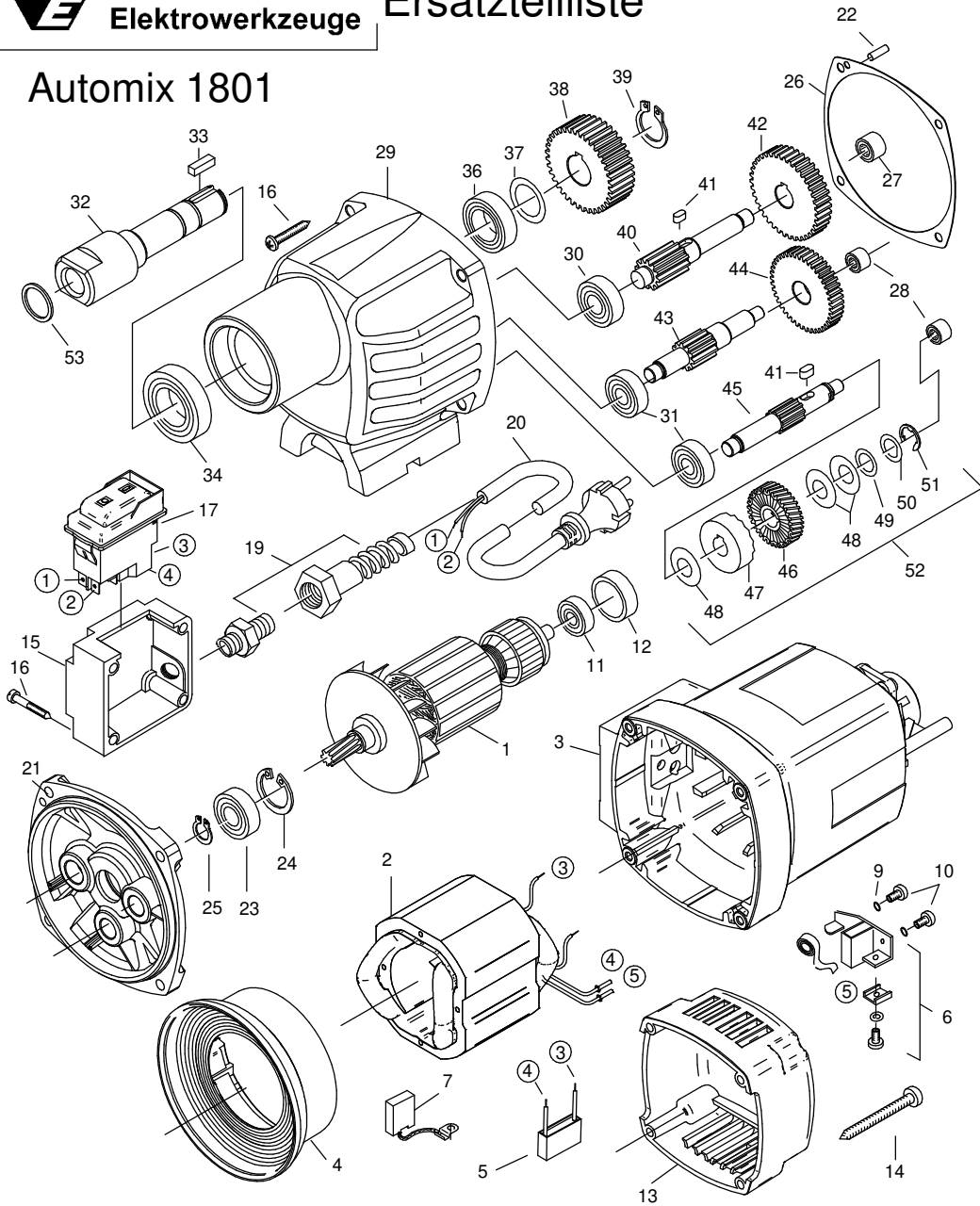




**EIBENSTOCK**  
Elektrowerkzeuge

# Ersatzteilliste

## Automix 1801



# 07614000 - Automix\_1801 Version: 01

as of serial no.: 102377

Pos.	Description	Item No.	pc.	Pos.	Description	Item No.	pc.
1	Rotor, compl. 230V	77617100	1	53	Copper ring	83000186	1
2	Stator, kpl. 230V	77617150	1	201	Sub-frame	17610001	1
3	Motor housing	80900042	1	202	Wheel axle	796UN828	1
4	Air guiding ring	71540144	1	203	Solid rubber wheel	85000178	2
5	Capacitor	80500010	1	204	Retaining ring 14x1	80201318	2
6	Brush holder, compl.	80201199	2	205	Washer 15	80201352	4
7	Carbon brush 6,3x16x20	80700019	2	206	Towing bar	17610005	1
9	Spring washer 4	80201385	4	209	Protection hood	17610006	1
10	Screw M4x12	80201180	4	210	Screw M5x10	80201138	6
11	Grooved ball bearing 6000 2Z	80410021	1	211	Washer 5,3	80201354	6
12	Bearing cap	83000031	1	212	Clip connector	80201310	1
13	Cap	80900082	1	213	Nut M10	80201033	1
14	Screw 4,8x45	80201267	4	214	Screw M10x60	80201223	1
15	Switch box	73420631	1	215	Safety bolt	17610003	1
16	Screw 5,5x38	80201292	8	216	Knurled screw M8x25	85000158	1
17	Switch	80600105	1	217	Screw M8x20	80201147	4
19	Cable gland	80600170	1	218	Spring lock washer 8	80201309	4
20	Connecting cable 2x1mm <sup>2</sup> 3m	80600060	1	219	Grid compl.	17610002	1
21	End shield of gearing	77614610	1	220	Plug	80900007	2
22	Grooved pin 5x16	80200580	1				
23	Grooved ball bearing 6001 2Z	80410031	1				
24	Retaining ring 28x1,2	80201333	1				
25	Retaining ring 11x1	80201320	1				
26	Gearbox seal	82000509	1				
27	Needle sleeve HK1010	80420115	1				
28	Needle sleeve HK0810	80420110	2				
29	Gearbox housing	77614400	1				
30	Grooved ball bearing 6001 2Z	80410031	1				
31	Grooved ball bearing 6000	80410020	2				
32	Work spindle	77610420	1				
33	Parallel key 6x6x20	80200618	1				
34	Grooved ball bearing 6005 2RS	80410061	1				
36	Grooved ball bearing 6004 2RS	80410051	1				
37	Fitting washer 20x28x0,1	80200509	1				
38	Spindle wheel	77610430	1				
39	Retaining ring 20x1,2	80201324	1				
40	Intermediate shaft 3	77610510	1				
41	Parallel key 5x5x10	80200600	2				
42	Intermediate wheel 3	77610450	1				
43	Intermediate shaft 2	77614500	1				
44	Intermediate wheel 2	77610460	1				
45	Intermediate shaft 1	77614490	1				
46	Coupling wheel	7752A550	1				
47	Coupling half	71411560	1				
48	Disc spring 25x12,2x0,9	80200710	3				
49	Shim ring 12x18x0,5	80200503	1				
50	Pressure washer 12,1x18x1	71540606	1				
51	Safety washer 9	80201361	1				
52	Coupling, compl.	77614493	1				