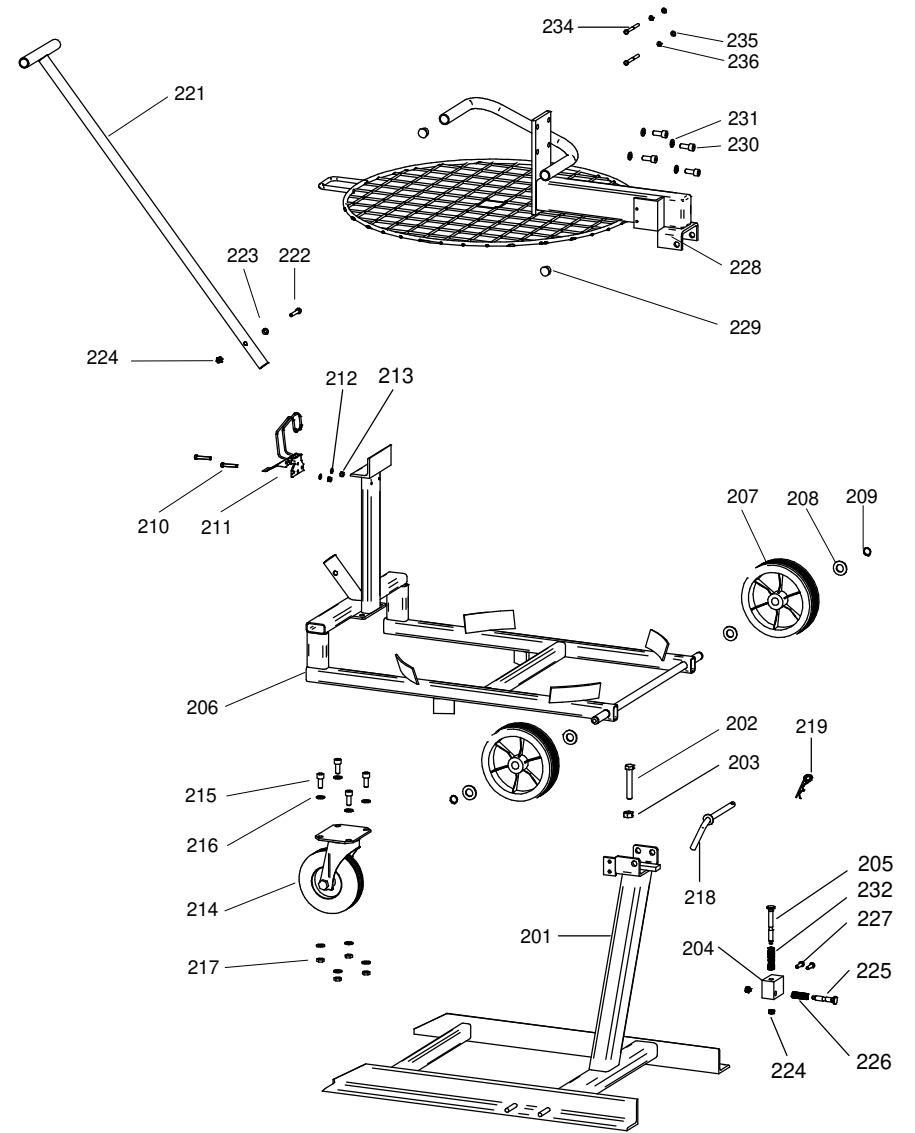
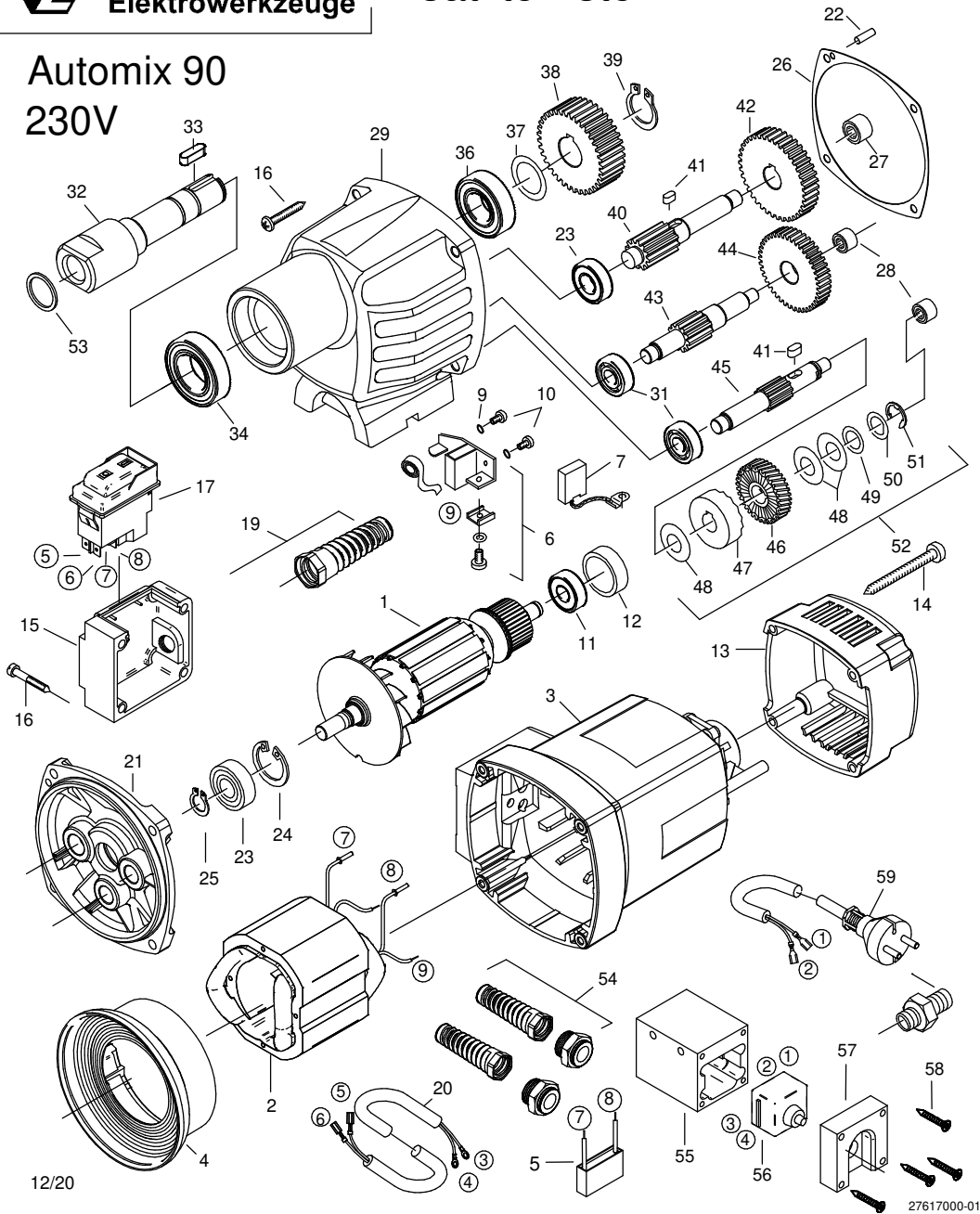




**EIBENSTOCK**  
Elektrowerkzeuge

# Ersatzteilliste

**Automix 90**  
**230V**



# 07617000 - Automix\_90 Version: 01

as of serial no.: 102377

Pos.	Description	Item No.	pc.	Pos.	Description	Item No.	pc.
1	Rotor, compl. 230V	77617100	1	54	Cable guard	80600166	2
2	Stator, kpl. 230V	77617150	1	55	Switch box	77612630	1
3	Motor housing	80900042	1	56	Switch	80600502	1
4	Air guiding ring	71540144	1	57	Switch cover	77617654	1
5	Capacitor	80500010	1	58	Screw 4,2x25	80201273	4
6	Brush holder, compl.	80201199	2	59	Connecting cable 2x1mm <sup>2</sup> 3m	80600060	1
7	Carbon brush 6,3x16x20	80700019	2	201	Sub-frame	17617001	1
9	Spring washer 4	80201385	4	202	Screw M10x60	80201223	1
10	Screw M4x12	80201180	4	203	Nut M10	80201033	1
11	Grooved ball bearing 6000 2Z	80410021	1	204	Protection switch box	77617655	1
12	Bearing cap	83000031	1	205	Restrictor	77617656	1
13	Cap	80900082	1	206	Trolley	67617002	1
14	Screw 4,8x45	80201267	4	207	Solid rubber wheel	85000215	2
15	Switch box	73420631	1	208	Washer 15	80201352	4
16	Screw 5,5x38	80201292	8	209	Retaining ring 14x1	80201318	2
17	Switch	80600105	1	210	Screw M5x30	80201175	2
19	Cable gland	80600170	1	211	Fastener	80430027	1
20	Intermediate cable	77617340	1	212	Washer 5,3	80201354	2
21	End shield of gearing	77614610	1	213	Nut M5	80201003	2
22	Grooved pin 5x12	80200584	1	214	Caster wheel	85000216	1
23	Grooved ball bearing 6001 2Z	80410031	2	215	Screw M8x20	80201147	4
24	Retaining ring 28x1,2	80201333	1	216	Washer 8,4	80201377	8
25	Retaining ring 11x1	80201320	1	217	Nut M8	80201006	5
26	Gearbox seal	82000509	1	218	Fastener	17617003	1
27	Needle sleeve HK1010	80420115	1	219	Clip connector	80201310	1
28	Needle sleeve HK0810	80420110	2	221	Towing bar	17617005	1
29	Gearbox housing	77614400	1	222	Screw M6x35	80201423	1
31	Grooved ball bearing 6000	80410020	2	223	Washer 6,4	80201375	1
32	Work spindle	77610420	1	224	Nut M6	80201012	3
33	Parallel key 6x6x20	80200618	1	225	Locking switch	77617657	1
34	Grooved ball bearing 6005 2RS	80410061	1	226	Compression spring	77617658	1
36	Grooved ball bearing 6004 2RS	80410051	1	227	Screw 6x20	80201278	2
37	Fitting washer 20x28x0,1	80200509	1	228	Grid compl.	17617006	1
38	Spindle wheel	77610430	1	229	Plug	80900007	2
39	Retaining ring 20x1,2	80201324	1	230	Screw M8x20	80201147	4
40	Intermediate shaft 3	77610510	1	231	Spring lock washer 8	80201309	4
41	Parallel key 5x5x10	80200600	2	232	Compression spring	77617659	1
42	Intermediate wheel 3	77610450	1	234	Screw M5x55	80201211	2
43	Intermediate shaft 2	77614500	1	235	Nut M5	80201003	2
44	Intermediate wheel 2	77610460	1	236	Spring lock washer 5	80201302	2
45	Intermediate shaft 1	77614490	1				
46	Coupling wheel	7752A550	1				
47	Coupling half	71411560	1				
48	Disc spring 25x12,2x0,9	80200710	3				
49	Shim ring 12x18x0,5	80200503	1				
50	Pressure washer 12,1x18x1	71540606	1				
51	Safety washer 9	80201361	1				
52	Coupling, compl.	77614493	1				
53	Copper ring	83000186	1				