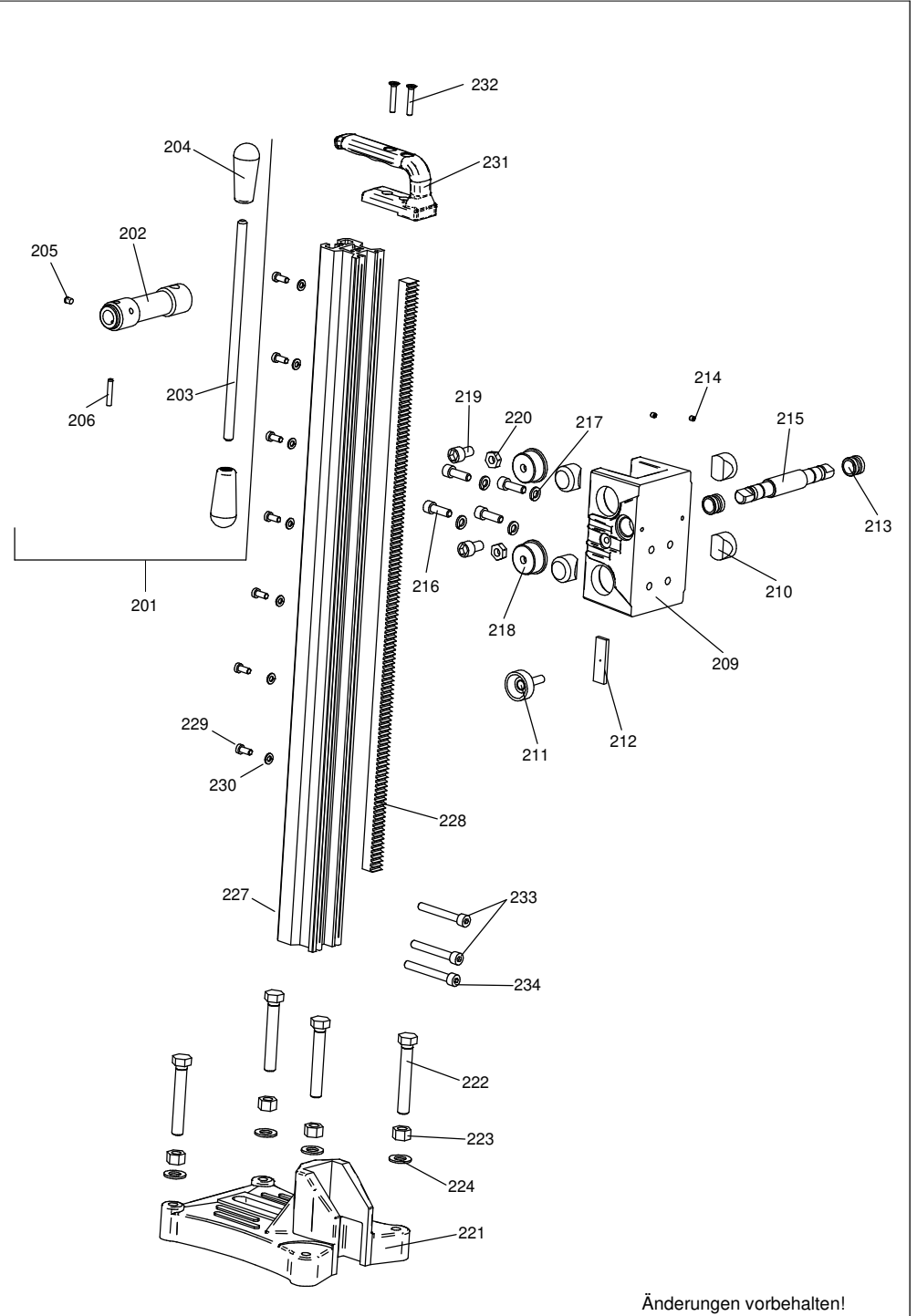
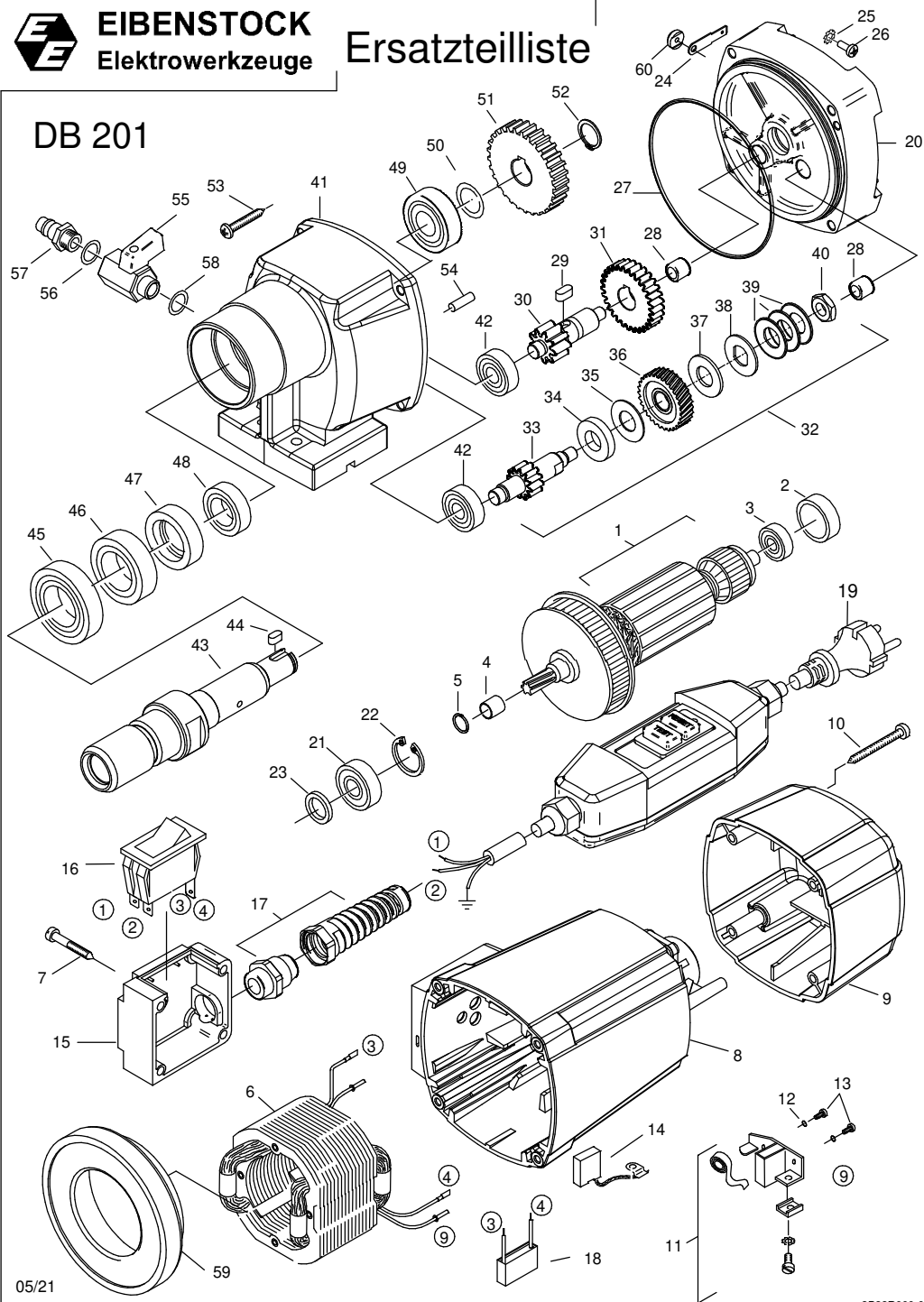


DB 201



OB33R000 - DB_201 Version: 01

as of serial no. : 4193 2018

Pos.	Description	Item No.	pc.	Pos.	Description	Item No.	pc.
1	Rotor, compl. 230V	73631100	1	47	Shaft seal 24x40x7	83000076	1
2	Bearing cap	83000031	1	48	Shaft seal 24x33x5	83000162	1
3	Grooved ball bearing 6000 2Z	80410021	1	49	Grooved ball bearing 6203 2RS	80410130	1
4	Sealing bush 12x15x12,5	80420160	1	50	Shim ring 17x24x0,2	80200507	1
5	Circlip SW12	80200748	1	51	Spindle wheel	73311430	1
6	Stator, compl. 230V	73511150	1	52	Retaining ring 17x1	80201323	1
7	Screw 5,5x38	80201292	4	53	Screw 5,5x70	80201298	4
8	Motor housing	7B33E201	1	54	Grooved pin 5x16	80200580	1
9	Cap	674E1001	1	55	Mini ball valve	83000143	1
10	Screw 4,8x45	80201267	4	56	Seal ring 1/4"	83000107	1
11	Brush holder, compl.	80201199	2	57	Connecting piece	83000124	1
12	Spring washer 4	80201385	4	58	O-ring 12x2,5	83000176	1
13	Screw M4x12	80201180	4	59	Air guiding ring	73511141	1
14	Carbon brush 6,3x16x20	80700044	2	60	Locking nut M4	73631188	1
15	Switch box	73511630	1	201	Turnstile, compl.	79600524	1
16	Switch	80600157	1	202	Turnstile	796UN524	1
17	Cable gland M20x1,5	80600179	1	203	Lever	796UN746	1
18	Capacitor	80500010	1	204	Knob	40600061	2
19	Connecting cable PRCD 3x1,5mm ² 3m	7B334262	1	205	Spring loaded thrust piece	85000157	1
20	End shield of gearing	7B334610	1	206	Parallel pin 5x24	80200588	1
21	Grooved ball bearing 6201 LUZ	80410101	1	209	Machine holder	796UN791	1
22	Retaining ring 32x1,2	80201351	1	210	Thrust piece	796UN763	4
23	Shaft seal 15x21x3	83000042	1	211	Knurled screw M8x25	85000158	1
24	Ground connector	80601189	1	212	Clamping piece	796UN779	1
25	Tooth lock washer 4,3	80200752	1	213	Steel bush	796UN770	2
26	Screw M4x8	80201451	1	214	Threaded pin M5x5	80200758	2
27	O-ring 106x2	83000092	1	215	Pinion shaft	796UN505	1
28	Needle sleeve HK0810	80420110	2	216	Screw M8x25	80201145	4
29	Parallel key 5x5x10	80200600	1	217	Spring lock washer 8	80201309	4
30	Intermediate shaft 2	73311500	1	218	Fitting	796DE766	2
31	Intermediate wheel	7B336470	1	219	Screw M10x18	80201453	2
32	Clutch, compl.	7B336493	1	220	Nut M10	80201039	2
33	Intermediate shaft 1	7B336490	1	221	Base	796UN886	1
34	Pressure washer	7B334499	1	222	Screw M12x80	80201118	4
35	Brass washer 28,5x14,2x1	85000082	1	223	Nut M12	80201014	4
36	Clutch wheel	7B334550	1	224	Washer 13	80201381	4
37	Brass washer 28,5x14,1x2	85000084	1	227	Column	796UN062	1
38	Driving washer	73331496	1	228	Gear rack	796UN061	1
39	Disc spring 28x14,2x1,5	80200716	3	229	Screw M6x14	80201428	7
40	Nut M10x1	80201007	1	230	Spring lock washer 6	80201300	7
41	Gearbox housing	7B334400	1	231	Open handle	796DE820	1
42	Grooved ball bearing 6000	80410020	2	232	Screw M6x30	80201148	2
43	Work spindle	73430420	1	233	Screw M8x60	40600006	2
44	Parallel key 6x6x11	73430496	1	234	Screw M8x65	80201114	1
45	Grooved ball bearing 6205 2RS	80410151	1				
46	Shaft seal 24x47x7	83000072	1				