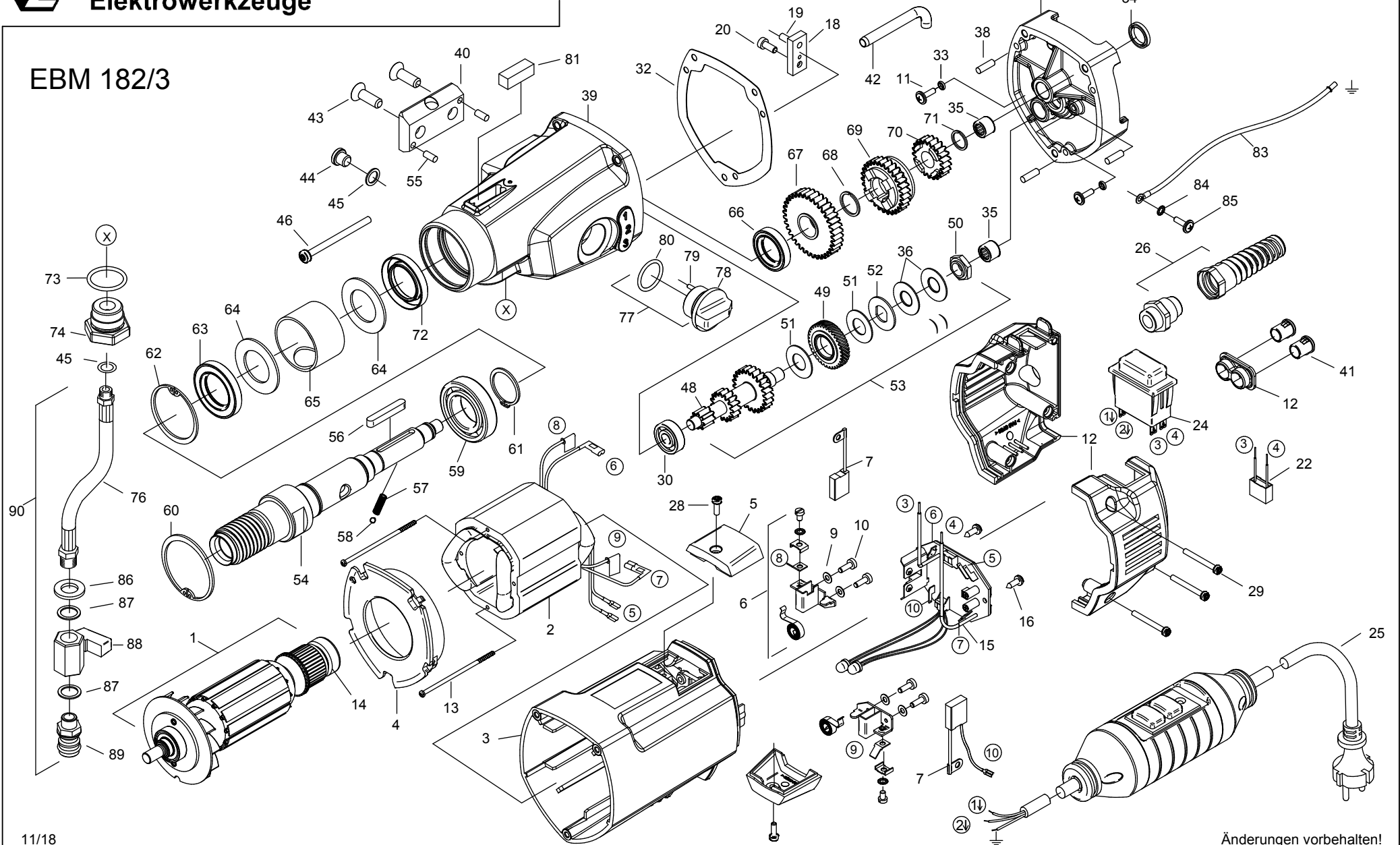




# Ersatzteilliste

EBM 182/3



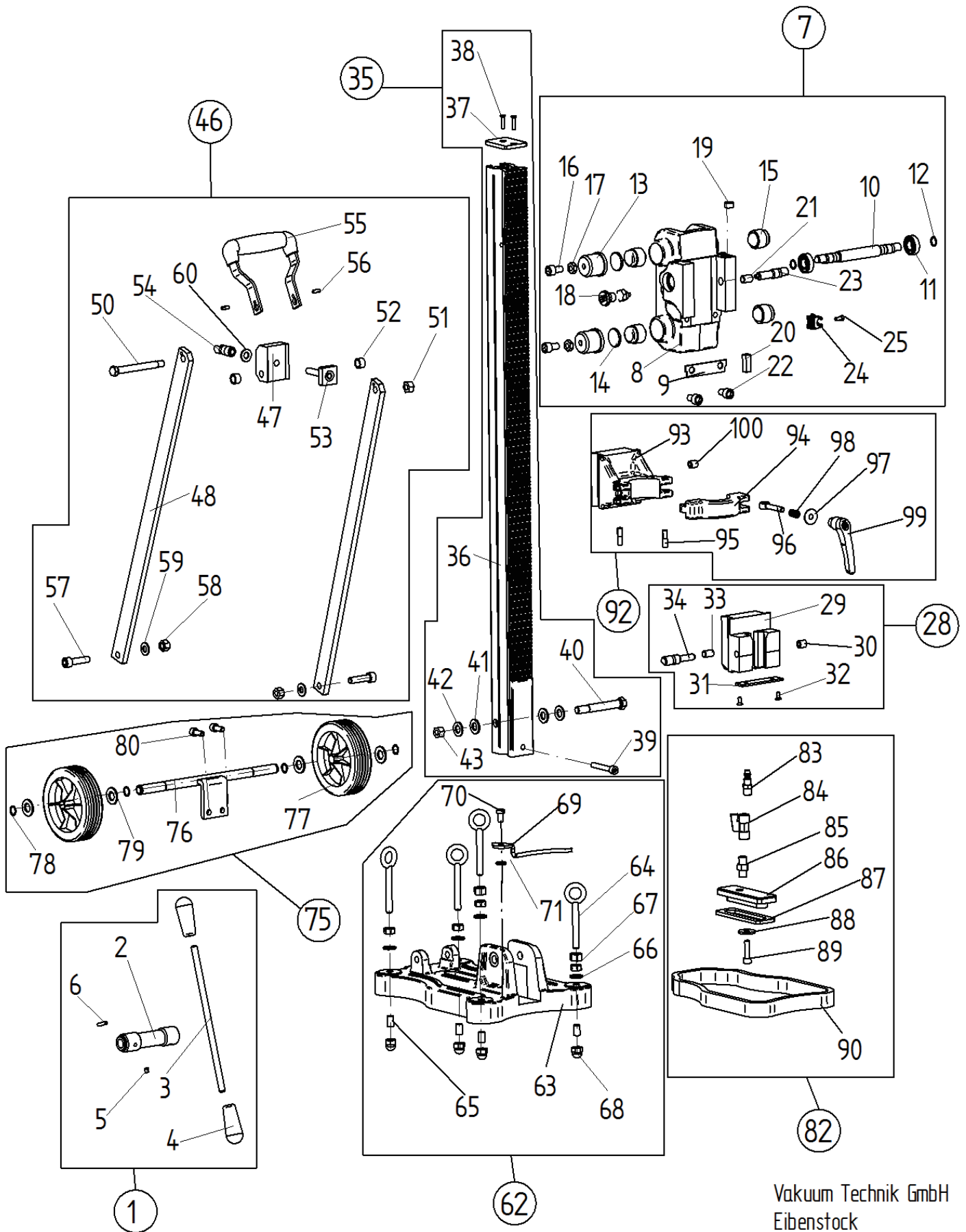
# EBM 182/3 - 230 V

03E33000

No.	Description	Order No.	Pcs	No.	Description	Order No.	Pcs
1	rotor complete	73E31100	1	46	pt-screw 50x60	80201484	3
2	stator complete	73E31150	1	47			
3	motor housing black	73E31200	1	48	intermediate shaft	73331490	1
4	air guiding ring	73E31145	1	49	clutch wheel	73331560	1
5	cover pair	73E3121U	1	50	nut M12x1	73E31497	1
6	brush holder	73E3122S	2	51	brass washer	85000082	2
7	carbon brush set	73E31220	1	52	driving washer	73331496	1
8				53	clutch complete	7334C493	1
9	lock washer B4	80201385	4	54	work spindle	7343H420	1
10	self tapping screw CM4x12	80201180	4	55	cylinder pin 5m6x12	80200574	2
11	lens head screw M4x14	80201457	2	56	fitting key 5x5x40	80200612	1
12	cap	73E3324U	1	57	compression spring	80200698	1
13	special screw Meplast 3x78	80201234	2	58	ball Ø4	80410082	1
14	bearing cap	83000031	1	59	grooved ball bearing 60/28 LLU/2A	80410155	1
15	PCB / circuit board	73E33280	1	60	locking ring J 52	80201392	1
16	self tapping screw HC 4,2x13	80201270	2	61	locking ring 28/1,5	80201328	1
17				62	locking ring 47/1,75	80201336	1
18	gear lever	73331542	1	63	shaft seal ring 28x47x7	83000029	1
19	cylinder pin 5m6x14	80200579	1	64	scraper	73334425	2
20	screw M5x12	80201230	1	65	spacer block	73334423	1
21				66	shaft seal ring 22x35x7	83000077	1
22	anti parasite condenser	80500010	1	67	loose wheel	73331460	1
23				68	circlip SW 18	80200746	1
24	switch ETA 20 A	80600119	1	69	switch-actuating wheel	73331550	1
25	connecting cable PRCD	73E33262	1	70	loose wheel	73331470	1
26	cable guard M20x1,5	80600179	1	71	circlip SW 14	80200747	1
27				72	shaft seal ring 28x45x7	83000094	1
28	pt-screw 40x12	80201413	2	73	seal ring 3/4"	83000120	1
29	pt-screw 40x35	80201404	3	74	reducing nipple	73332405	1
30	grooved ball bearing 629	80410015	1	75			
31	end shield of gearing green	73E33610	1	76	connecting hose	83000109	1
32	gearbox seal	73E31620	1	77	switching complete	73E31545	1
33	o-ring 3,68x1,78 NBR	83000019	2	78	switch button	73E31540	1
34	shaft seal ring 15x21x3	83000179	1	79	cylinder pin 3m6x10	80200577	1
35	needle sleeve HK 1010	80420115	2	80	o-ring 22x2,5	83000036	1
36	spring washer 28x14,2x1,25	80200715	2	81	horizontal level	85000152	1
37				82			
38	cylinder pin 5m6x12	80200574	3	83	ground wire	73E33185	1
39	gearbox housing black	73E31400	1	84	tooth lock washer A4,3	80200752	1
40	prism	73334410	1	85	lens head screw M4x6	80201200	1
41	fastener	80601153	2	86	washer A13,5	80201382	1
42	oil tube	73E31425	1	87	seal ring 1/4"	83000107	2
43	screw 10x25	80201173	2	88	mini ball valve	83000117	1
44	cap screw 1/8"	80201406	1	89	connecting piece	83000124	1
45	seal ring 1/8"	83000106	2	90	water connector	73636950	1

# Diamantbohrständer BST 182 VS

Artikel-Nr.: 09646000



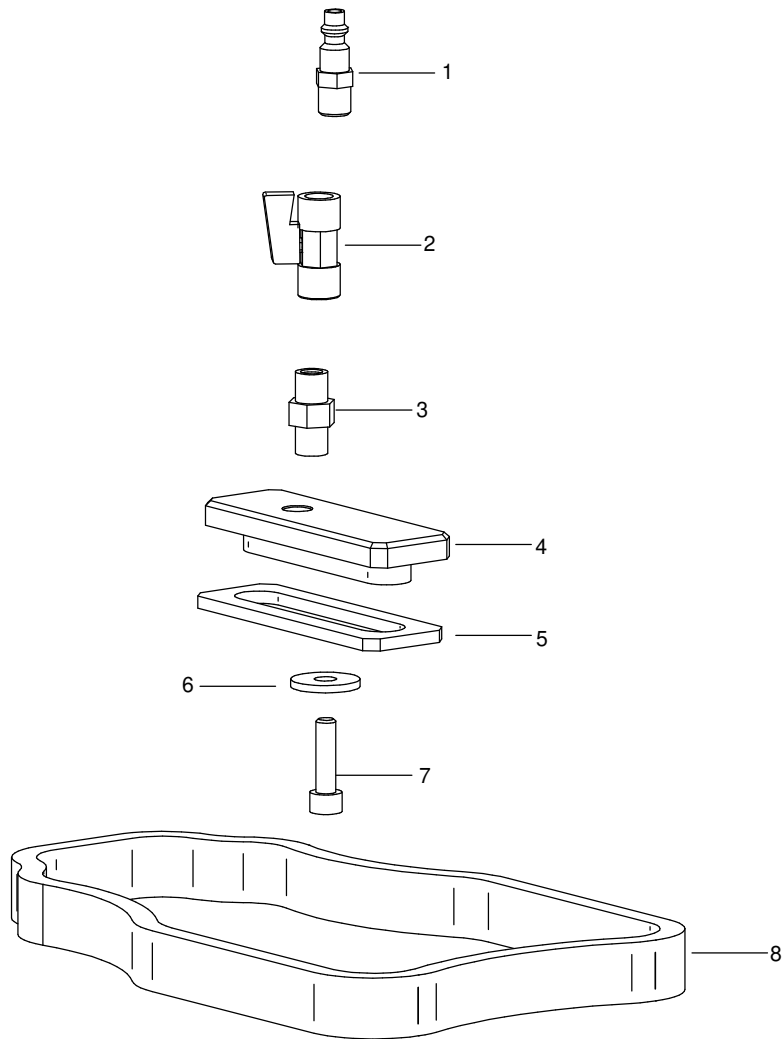
# Diamantbohrständer BST 182 VS

09646000

No.	Description	Order No.	Pcs	No.	Description	Order No.	Pcs
1	turnstile complete	79600524	1	53	square M10x60	796UN517	1
2	turnstile	796UN524	1	54	locking device	796UN536	1
3	lever Ø 10	796UN746	1	55	handle	796UN543	1
4	knob	40600061	2	56	grooved pin 5x14	80200569	2
5	spring loaded thrust pad	85000157	1	57	screw M10x40	80201113	2
6	cylinder pin 5x24	80200588	1	58	hexagonal nut M10	80201034	2
				59	washer 10,5	80201384	2
7	machine holder complete	79600316	1	60	washer 10	80201380	1
8	machine holder	796UN316	1	62	base complete	79600311	1
9	bracket	796UN365	1	63	base	796UN311	1
10	pinion shaft	796UN512	1	64	ring screw M10x80	80201242	4
11	grooved ball bearing 6002 2RS	80410037	2	65	thread insert M10x15	85000183	4
12	locking ring 15/1	80201322	2	66	washer 10	80201380	4
13	bushing	796UN305	2	67	hexagonal nut M10	80201033	6
14	disc 30x4	40600017	2	68	cape nut M10	80201015	4
15	conductor ball roller	40600015	4	69	centring	796UN341	1
16	screw M10x18	80201453	2	70	screw M8x16	80201160	1
17	hexagonal nut M10	80201039	2	71	washer 8,4	80201383	1
18	spindle lock pin M12x1,5	85000156	1				
19	circular level D14	85000153	1		(no inclusive)		
20	horizontal level	85000152	2	75	wheel axle complete	796T1087	1
21	thread insert M12x18	85000177	1	76	wheel axle	796UN538	1
22	hexagon screw M10x16	80201166	2	77	solid rubber wheel	85000178	2
23	locking device	796UN535	1	78	locking ring 14/1	80201318	4
24	clamp	80600178	1	79	washer 15	80201352	4
25	screw M5x12	80201230	2	80	allen screw M6x20	80201124	2
28	double adapter complete	796T1032	1				
29	adaptor plate	796UN209	1	82	(no inclusive)	3585F000	1
30	drill bushing	80201051	1	83	plug-in nipple	83000104	1
31	bracket	796UN701	1	84	mini ball valve	83000600	1
32	countersunk screw M5x12	80201226	2	85	double nipple	85000147	1
33	thread insert M10x20	85000181	1	86	vacuum cover	796UN348	1
34	locking device	796UN531	1	87	gasket	796UN347	1
				88	washer 9x28	80201372	1
35	column complete	79600312	1	89	screw M8x30	80201143	1
36	column w/ scale	796UN312	1	90	vacuum rubber	796UN333	1
37	column cap	796UN317	1				
38	thread sleeve M5x20	80201168	2				
39	screw M8x55	80201224	1		spanner SW6	80430043	1
40	hexagonal fitting screw M12x90	80201611	1		spanner SW 8	80430044	1
41	washer 13	80201388	2				
42	washer 13	80201381	2		(no inclusive)	35829000	
43	hexagonal nut M12	80201036	1	92	adaptor complete	79613035	1
				93	adaptor	796R1810	1
46	brace support complete	79600021	1	94	bow	796R1815	1
47	supporting holder	796UN521	1	95	grooved pin 8x30	80200621	2
48	supporting bracer	796UN304	2	96	eye bolt M8x50	80201112	1
49				97	washer 8,4	80201391	1
50	hexagonal fitting screw M10x100	80201612	1	98	compression spring	85000192	1
51	hexagonal nut M10	80201034	1	99	clamping lever	85000169	1
52	spacer sleeve	80200633	2	100	drill bushing	80201051	1



Vakuumsset  
BST 182 VS



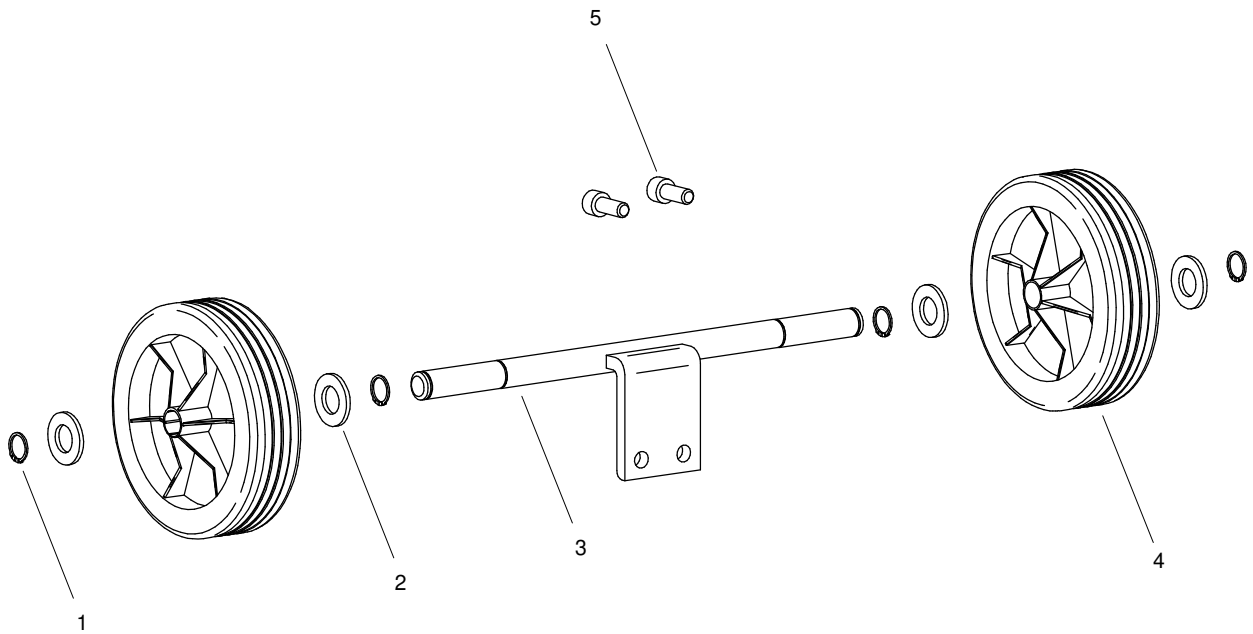
**3585F000 - Vakuumset\_BST\_182\_VS Version: 01**

as of serial no. : 4193 2018

<b>Pos.</b>	<b>Description</b>	<b>Item No.</b>	<b>pc.</b>
1	Plug-in nipple	83000104	1
2	Mini ball valve	83000600	1
3	Double nipple	85000147	1
4	Vacuum cover	796UN348	1
5	Gasket	796UN347	1
6	Washer 9x28	80201372	1
7	Screw M8x30	80201143	1
8 8	Vacuum rubber	796UN333	1



Radachse  
BST 182 VS



### 3582B000 - Radachse\_BST\_182\_VS Version: 01

as of serial no. : 4193 2018

Pos.	Description	Item No.	pc.
1	Retaining ring 14x1	80201318	4
2	Washer 15	80201352	4
3	Wheel axle	796UN538	1
4	Solid rubber wheel	85000178	2
5	Screw M6x20	80201124	2