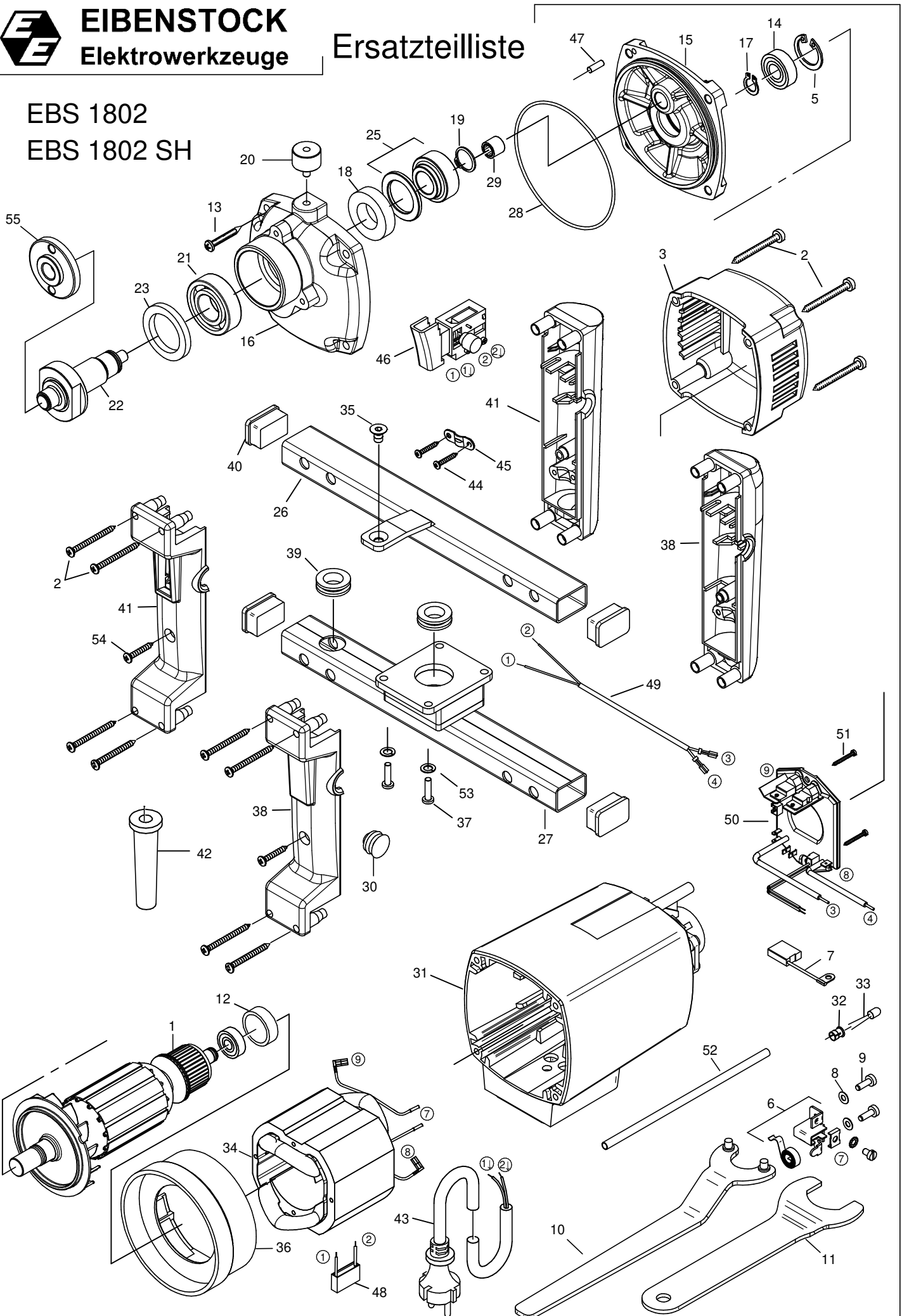




EBS 1802
EBS 1802 SH



0633J000 - EBS_1802 Version: 04

from year of manufacture 2022

Pos.	Description	Item No.	pc.	Pos.	Description	Item No.	pc.
1	Rotor, compl. 230V	7633J100	1	52	Isolation hose	7633J188	1
2	Screw 4,8x45	80201267	12	53	Spring lock washer 5	80201302	4
3	Cap	80900082	1	54	Screw 4,8x22	80201280	2
5	Retaining ring 32x1,2	80201351	1	55	Flange nut	76301405	1
6	Brush holder, compl.	80201199	2				
7	Carbon brush 6,3x16x20	80700019	2				
8	Spring washer 4	80201385	4				
9	Screw M4x12	80201180	4				
10	Face spanner	80430042	1				
11	Spanner SW 32	76301927	1				
12	Bearing cap	83000031	1				
13	Screw 5,5x38	80201292	4				
14	Grooved ball bearing 6002 2RSL	80410038	1				
15	End shield of gearing	76333610	1				
16	Gearbox housing	7633J400	1				
17	Retaining ring 15x1	80201322	1				
18	Grooved ball bearing 6904 2RS	80410158	1				
19	Retaining ring 17x1	80201323	1				
20	Rubber-metal buffer M6	83000084	1				
21	Grooved ball bearing 6004 2RS	80410051	1				
22	Work spindle	7633J420	1				
23	Felt ring 30x42x5	83000502	1				
25	Spindle wheel, compl.	7633J43U	1				
26	Side plate 1	7633M591	1				
27	Side plate 2	7633M592	1				
28	O-ring 94x2	83000172	1				
29	Needle sleeve HK0810	80420110	1				
30	Plug	80900202	1				
31	Motor housing	7633J201	1				
32	LED holder	80601153	1				
33	LED	80601154	1				
34	Stator, compl. 230V	76339150	1				
35	Screw M6x10	80201107	1				
36	Air guiding ring	80900160	1				
37	Screw 5x20	80201277	4				
38	Pair of handle halves	80900254	1				
39	Cable grommet HV1305	83000051	2				
40	Cover cap	80900000	4				
41	Pair of handle halves	80900098	1				
42	Cable grommet	83000004	1				
43	Connecting cable 2x1mm ² 5m	80600245	1				
44	Screw 4,2x13	80201270	2				
45	Wire locking flange	85000020	1				
46	Switch	80600143	1				
47	Grooved pin 4x12	80200582	1				
48	Capacitor	80500008	1				
49	Interconnecting wire	80600572	1				
50	Printed circuit board 230V	7633J280	1				
51	Screw 4,2x9,5	80201269	2				

Uebergeordnete_Maschine_ArtNr
0633M000

Uebergeordnete_Maschine_Version
04