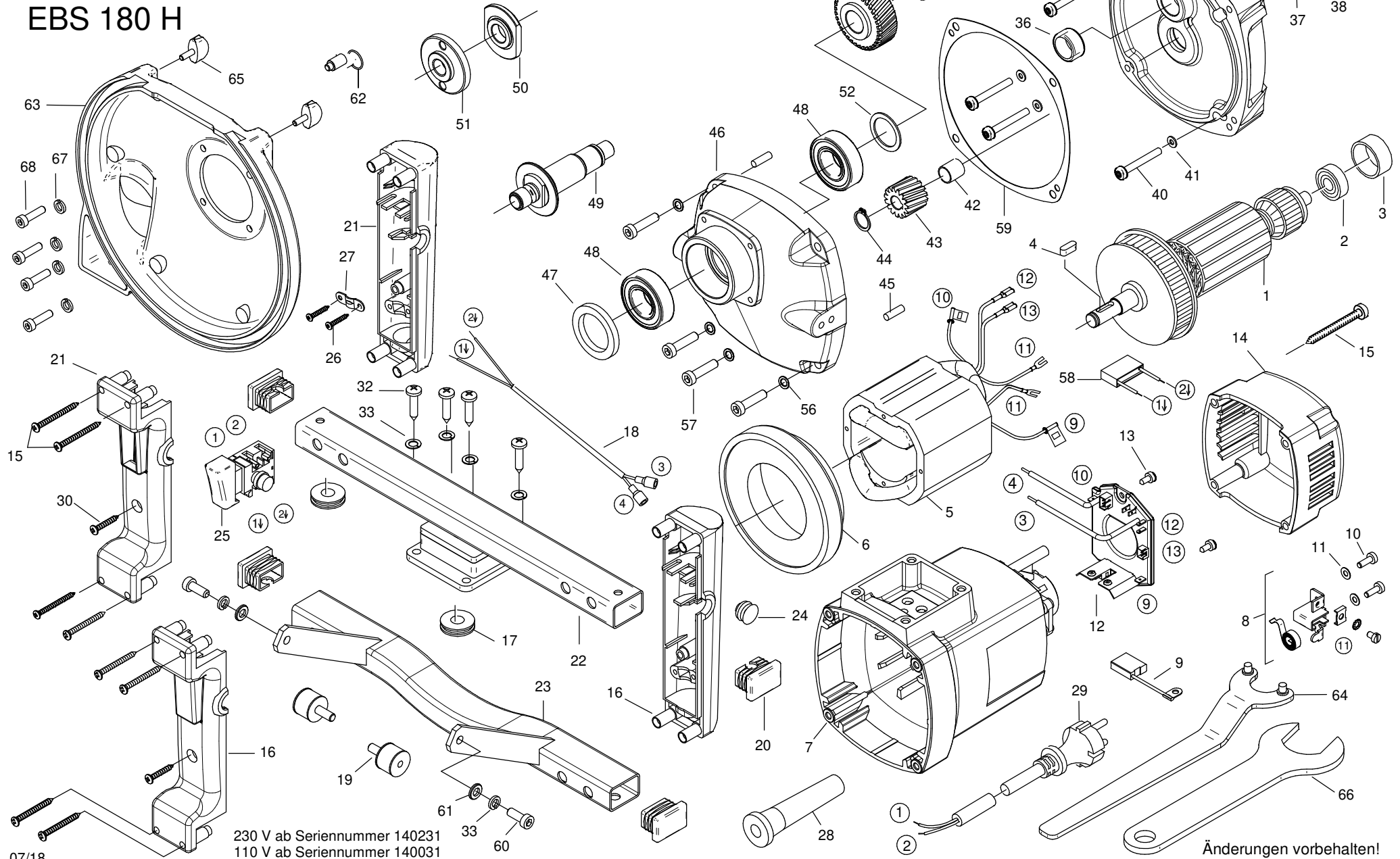




**EIBENSTOCK**  
Elektrowerkzeuge

# Ersatzteilliste

## EBS 180 H



230 V ab Seriennummer 140231  
110 V ab Seriennummer 140031

**0633H000 - EBS\_180\_H Version: 02**

as of serial no. : 14 0231

Pos	Description	Item No.	pc.	Pos.	Description	Item No.	pc.
1	Rotor, compl. 230V	76330100	1	52	Shim ring 20x28x0,2	80200511	1
2	Grooved ball bearing 6000 2Z	80410021	1	53	Spindle wheel	76330430	1
3	Bearing cap	83000031	1	54	Shim ring 17x24x0,5	80200508	1
4	Parallel key 4x4x14	80200629	1	55	Retaining ring 17x1	80201323	1
5	Stator, compl. 230V	73R61150	1	56	Lock washer S6	80201362	4
6	Air guiding ring	73511141	1	57	Screw M6x25	80201125	4
7	Motor housing	7633H201	1	58	Capacitor	80500010	1
8	Brush holder, compl.	80201199	2	59	Gearbox seal	82000064	1
9	Carbon brush 6,3x16x20	80700019	2	60	Screw M6x12	80201119	2
10	Screw M4x12	80201180	4	61	Washer 6,4	80201375	2
11	Spring washer 4	80201385	4	62	Snap bolt M8	80110101	1
12	Printed circuit board 230V	7633H280	1	63	Suction hood	7633H575	1
13	Screw 4,2x9,5	80201269	2	64	Face spanner	80430042	1
14	Cap	80900082	1	65	Wing screw M4x10	80201407	2
15	Screw 4,8x45	80201267	12	66	Wrench SW 32	80430019	1
16	Pair of handle halves	80900254	1	67	Spring lock washer 5	80201302	4
17	Cable grommet HV1305	83000051	2	68	Screw M5x18	80201409	4
18	Interconnecting wire	7633H186	1				
19	Rubber-metal buffer M6	83000084	2		Uebergeordnete_Maschine_Version		
20	Cover cap	7633H589	4		02		
21	Pair of handle halves	80900098	1				
22	Side plate 2	7633H592	1		Uebergeordnete_Maschine_ArtNr		
23	Side plate 1	7633H591	1		06342000		
24	Plug	80900202	1				
25	Switch	80600507	1				
26	Screw 4,2x13	80201270	2				
27	Wire locking flange	85000020	1				
28	Cable grommet	83000004	1				
29	Connecting cable 2x1,5mm <sup>2</sup> 5m	80600403	1				
30	Screw 4,8x22	80201280	2				
32	Screw 6x20	80201278	4				
33	Spring lock washer 6	80201303	6				
35	End shield of gearing	76330610	1				
36	Needle sleeve HK1212	80420130	1				
37	Shaft seal 15x21x3	83000042	1				
38	Grooved ball bearing 6201 LUZ	80410101	1				
39	Retaining ring 32x1,2	80201351	1				
40	Screw 5x50	80201436	4				
41	Sealing washer	80200999	4				
42	Sealing bush 12x15x12,5	80420160	1				
43	Pinion	76330125	1				
44	Retaining ring 10x1	80201305	1				
45	Parallel pin 5x12	80200574	2				
46	Gearbox housing	7633H400	1				
47	Felt ring 30x42x5	83000502	1				
48	Grooved ball bearing 6004 2RS	80410051	2				
49	Work spindle	76330420	1				
50	Mounting flange	76301410	1				
51	Flange nut	76301405	1				