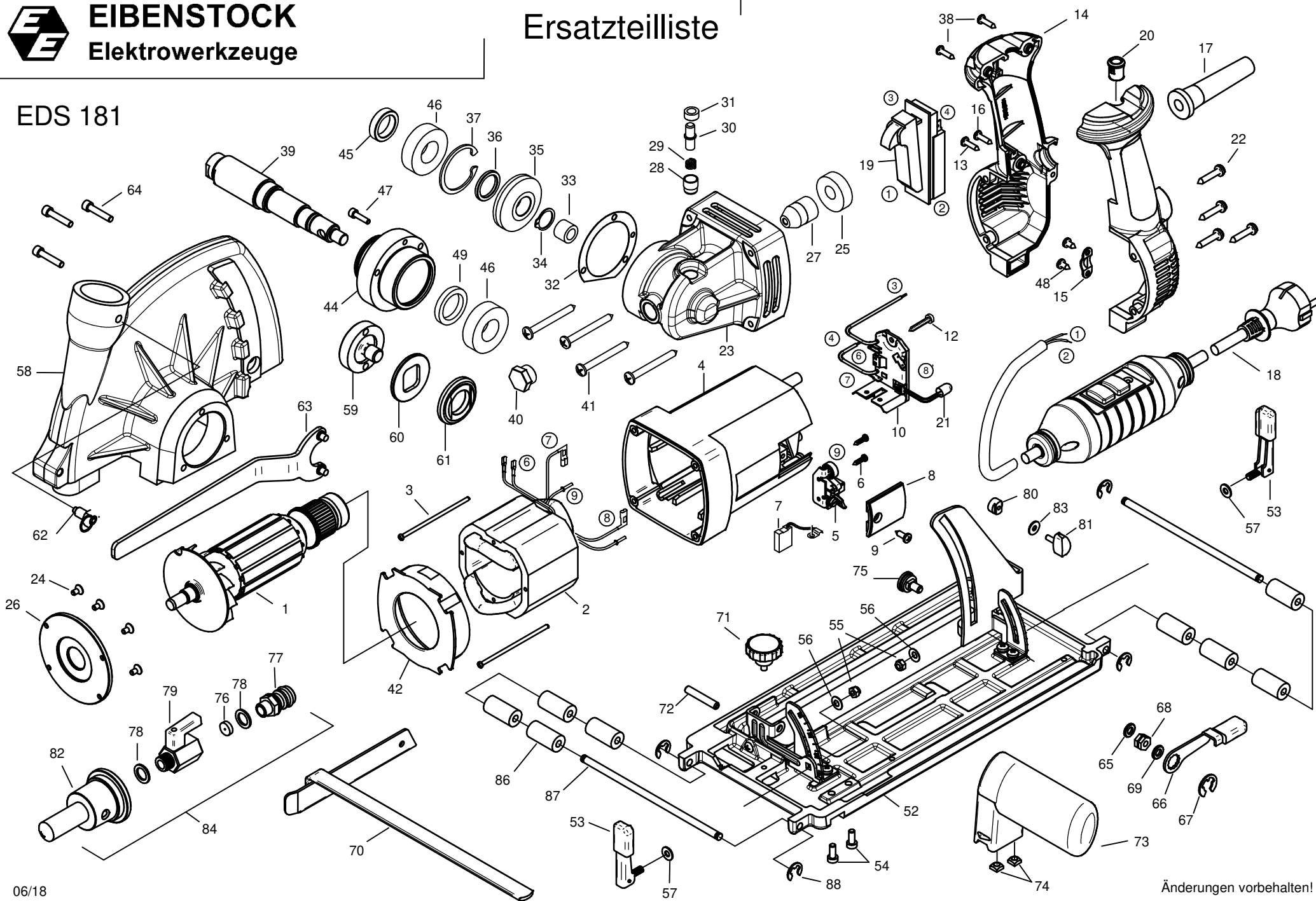


Ersatzteilliste

EDS 181



## 0660P000 - EDS\_181 Version: 01

as of serial no.: 2019 0121 - 2019 0228 and also as of serial no.: 2019 0301

Pos.	Description	Item No.	pc.	Pos.	Description	Item No.	pc.
1	Rotor, compl. 230V	76711100	1	53	Clamp lever	85000243	2
2	Stator, compl. 230V	76711150	1	54	Screw M5x12	80201230	2
3	Screw 3x78	80201234	2	55	Nut M5	80201357	2
4	Motor housing	80900069	1	56	Disc spring 12x5,2x0,5	80200725	2
5	Brush holder, compl.	80201199	2	57	Shim ring 5x10x1	80200522	2
6	Screw 2,9x13	80201252	4	58	Suction hood, compl.	7660P572	1
7	Carbon brush 6,3x16x20	80700044	2	59	Clamping screw	76711583	1
8	Brush cover	80900073	2	60	Pressure washer	76721422	1
9	Screw 4,2x13	80201270	2	61	Flange	76711580	1
10	Printed circuit board 230V	80601155	1	62	Snap bolt M8	80110101	1
12	Screw 4,2x25	80201273	2	63	Face spanner	80430042	1
13	Screw 4,2x22	80201272	1	64	Screw M5x40	80201232	3
14	Handle segment	80900400	1	65	Washer 6,4	80201376	1
15	Wire locking flange	85000020	1	66	Clamping lever	85000236	1
16	Screw 3,9x13	80201261	1	67	Lock washer 10	80201510	1
17	Cable grommet	83000004	1	68	Clamp nut	85000237	1
18	Connecting cable PRCD 2x1,5mm <sup>2</sup> 5m	7660A262	1	69	O-ring 9,5x1,5	83000026	1
19	Switch	80600506	1	70	Rip fence	85000238	1
20	LED holder	80601153	1	71	Star handle screw M5x12	85000235	1
21	LED	80601154	1	72	Locking pin 6x36	80201470	1
22	Screw 4,8x25	80201281	4	73	Additional handle	80901024	1
23	Gearbox housing	7660A400	1	74	Nut M5	80201031	2
24	Screw M4x10	80200632	4	75	Special screw	7660A690	1
25	Grooved ball bearing 6201 LUZ	80410101	1	76	Pressure reducer	7660A952	1
26	Armature plate	76711110	1	77	Connecting piece	83000124	1
27	Bevel pinion	85000313	1	78	Seal ring 1/4"	83000107	2
28	Bush 1	75412554	1	79	Mini ball valve	83000143	1
29	Compression spring	80200802	1	80	Sliding block	7660A585	1
30	Bolt	75412425	1	81	Wing screw M4x10	80201407	1
31	Bush 2	75412555	1	82	Water connector	7660A955	1
32	Adjusting foil	82000516	1	83	Washer 4,3	80201369	1
33	Needle sleeve DL1012	80420116	1	84	Water connection, compl.	7660A950	1
34	Retaining ring 17x1	80201323	1	86	Roller	85000321	8
35	Bevel gear	85000314	1	87	Axle for rollers	7660P948	2
36	Spacer 2	76711425	1	88	Lock washer 5	80201364	4
37	Retaining ring 42x1,75	80201335	1				
38	Screw 4,2x16	80201271	2				
39	Work spindle	7660A420	1				
40	Cap screw 3/8"	85000224	1				
41	Screw 5x50	80201436	4				
42	Air guiding ring	80900284	1				
44	Gear cover bush	7660A410	1				
45	Spacer 1	76711415	1				
46	Grooved ball bearing 6004 2RS	80410051	2				
47	Screw M4x20	80201415	1				
48	Screw 4,2x9,5	80201269	2				
49	Shaft seal 24x36x7	83000205	1				
52	Slide	7660P94U	1				