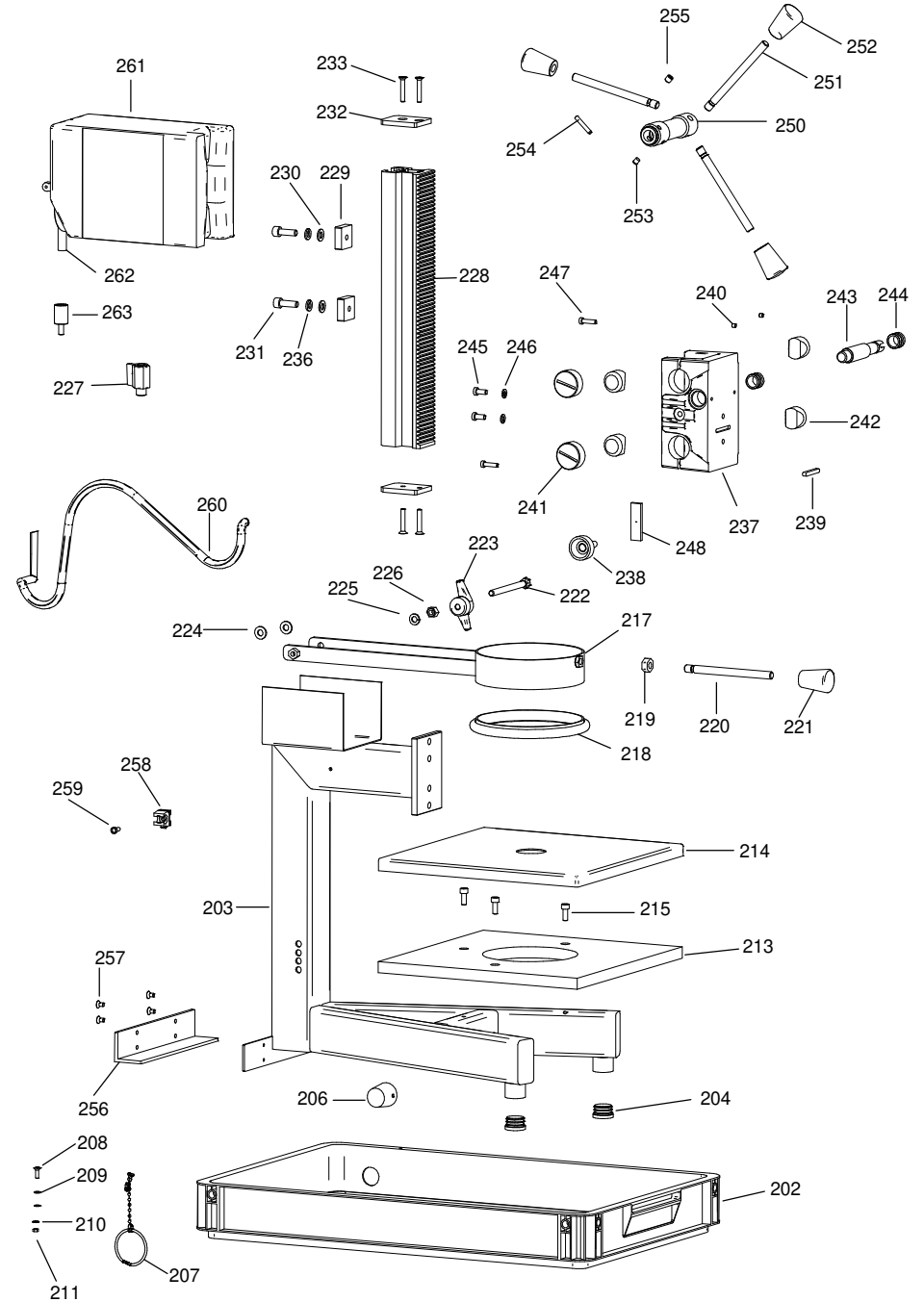
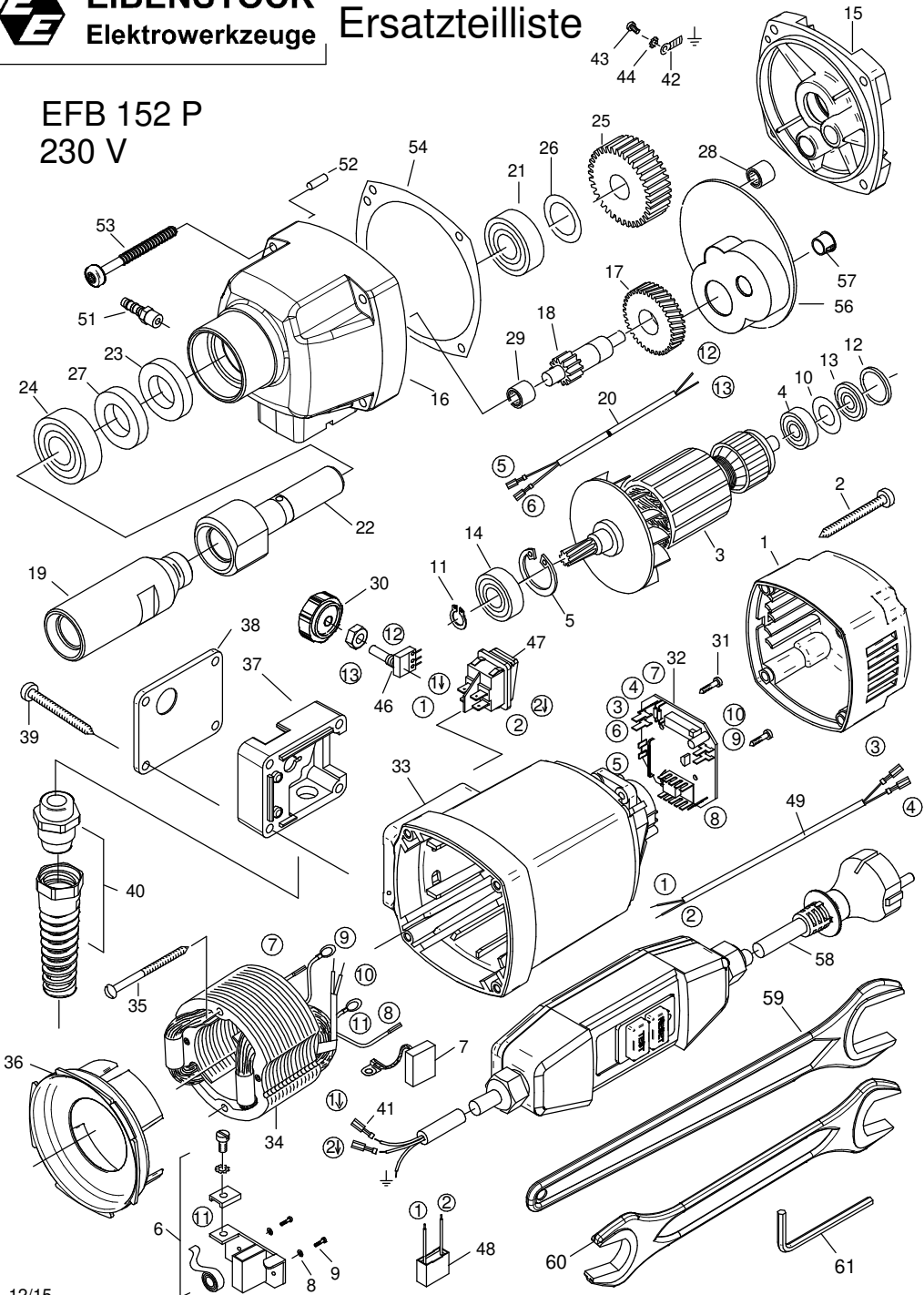


EFB 152 P
230 V





0662A000

EFB 152 P - 230V

Version: 01

Dated: 21.03.2023

Pos.	Description	Item No.	pc.	Pos.	Description	Item No.	pc.
1	Cap	80900093	1	41	Blade receptacle 6,3x0,8	80601102	2
2	Screw 4,8x45	80201267	4	42	Ring terminal 4,2	80601105	1
3	Rotor, compl. 230V	7731B100	1	43	Screw M4x6	80201200	1
4	Grooved ball bearing 608 2Z	80410011	1	44	Tooth lock washer 4,3	80200752	1
5	Retaining ring 28x1,2	80201333	1	46	Potentiometer 100 kOhm	80500020	1
6	Brush holder, compl.	80201196	2	47	Switch	7661C295	1
7	Carbon brush 6,3x10x18	80700013	2	48	Capacitor	7661C305	1
8	Spring washer 4	80201385	4	49	Interconnecting wire	7152B184	1
9	Screw M4x12	80201180	4	51	Connection nipple with hose tail	80900001	1
10	Fibre washer 7x12x1	82000951	1	52	Grooved pin 4x12	80200582	1
11	Retaining ring 10x1	80201305	1	53	Screw 5x50	80201449	4
12	O-ring 22x2,5	83000036	1	54	Gearbox seal	82000507	1
13	Magnetic ring 19,4x7x6	80701005	1	56	Grease compartment barrier	80900119	1
14	Grooved ball bearing 6001 2Z	80410031	1	57	Plug	80900201	1
15	End shield of gearing	7662B610	1	58	Connecting cable PRCD 3x1mm ² 3m	7661C262	1
16	Gearbox housing	76613400	1	59	Spanner SW32	80430038	1
17	Intermediate wheel	74010470	1	60	Spanner SW22/24	80430048	1
18	Pinion shaft	7731C490	1	61	Spanner SW 4	80430046	1
19	Adaptor	7662B680	1	202	Tub	76613038	1
20	Control wire	77314187	1	203	Sub-frame	76613042	1
21	Grooved ball bearing 6003 2RS	80410043	1	204	Conductor	40600034	2
22	Work spindle	76613420	1	206	Plug	83000185	1
23	Shaft seal 17x30x7	83000043	1	207	Chain for tub	76613018	1
24	Grooved ball bearing 6203 2RS	80410130	1	208	Screw M4x10	80201116	1
25	Spindle wheel	7731C430	1	209	Washer 4,3	80201371	2
26	Shim ring 17x24x0,2	80200507	1	210	Tooth lock washer 4,3	80200752	1
27	Shaft seal 17x32x7	83000093	1	211	Nut M4	80201002	1
28	Needle sleeve HK0810	80420110	1	213	Support plate	76613022	1
29	Needle sleeve HK1010	80420115	1	214	Support plate	76613016	1
30	Adjusting wheel	7662B231	1	215	Screw M6x16	80201122	3
31	Screw 2,9x13	80201252	2	217	Holder	76613020	1
32	Printed circuit board 230V	80601168	1	218	Microcellular rubber	796UN868	1
33	Motor housing	7661C201	1	219	Nut M10	80201033	1
34	Stator, compl. 230V	7731B150	1	220	Lever	796UN747	1
35	Screw 3,9x60	80201266	2	221	Grooved taper pin	85000193	1
36	Air guiding ring	80900286	1	222	Screw M8x95	40600018	1
37	Intermediate piece	7661C291	1	223	Wing screw M8	40600019	1
38	Cover	76613298	1	224	Washer 8,4 PA6	80201383	2
39	Screw 4,8x38	80201283	4	225	Spring lock washer 8	80201309	1
40	Cable gland	80600170	1	226	Nut M8	80201221	1



0662A000

EFB 152 P - 230V

Version: 01

Dated: 21.03.2023

Pos.	Description	Item No.	pc.
227	Mini ball valve	83000143	1
228	Column	79600751	1
229	Square M8	79623755	2
230	Washer 8,4	80201377	2
231	Screw M8x25	80201145	2
232	Column cap	796UN916	1
233	Screw M6x30	80201148	2
236	Spring lock washer 8	80201309	2
237	Machine holder	79600917	1
238	Knurled screw M8x25	85000158	1
239	Parallel key 5x5x40	80200612	1
240	Threaded pin M5x5	80200758	2
241	Clamping screw	796UN765	2
242	Thrust piece	796UN763	4
243	Pinion shaft	796UN731	1
244	Steel bush	796UN770	2
245	Screw M5x20	80201121	2
246	Spring lock washer 6	80201303	2
247	Screw M6x14	80201428	2
248	Clamping piece	796UN779	1
250	Turnstile	796UN741	1
251	Lever	796UN747	3
252	Grooved taper pin	85000193	3
253	Spring loaded thrust piece	85000157	1
254	Parallel pin 5x30	80200627	1
255	Threaded pin M8x8	80201427	1
256	Angle	76613036	1
257	Screw M5x8	40600035	4
258	Clamp	80600178	1
259	Screw M5x12	80201230	1
260	Fabric hose	76613048	1
261	Water tank	82000208	1
262	Lever tap	82000209	1
263	Hose adapter	76613684	1