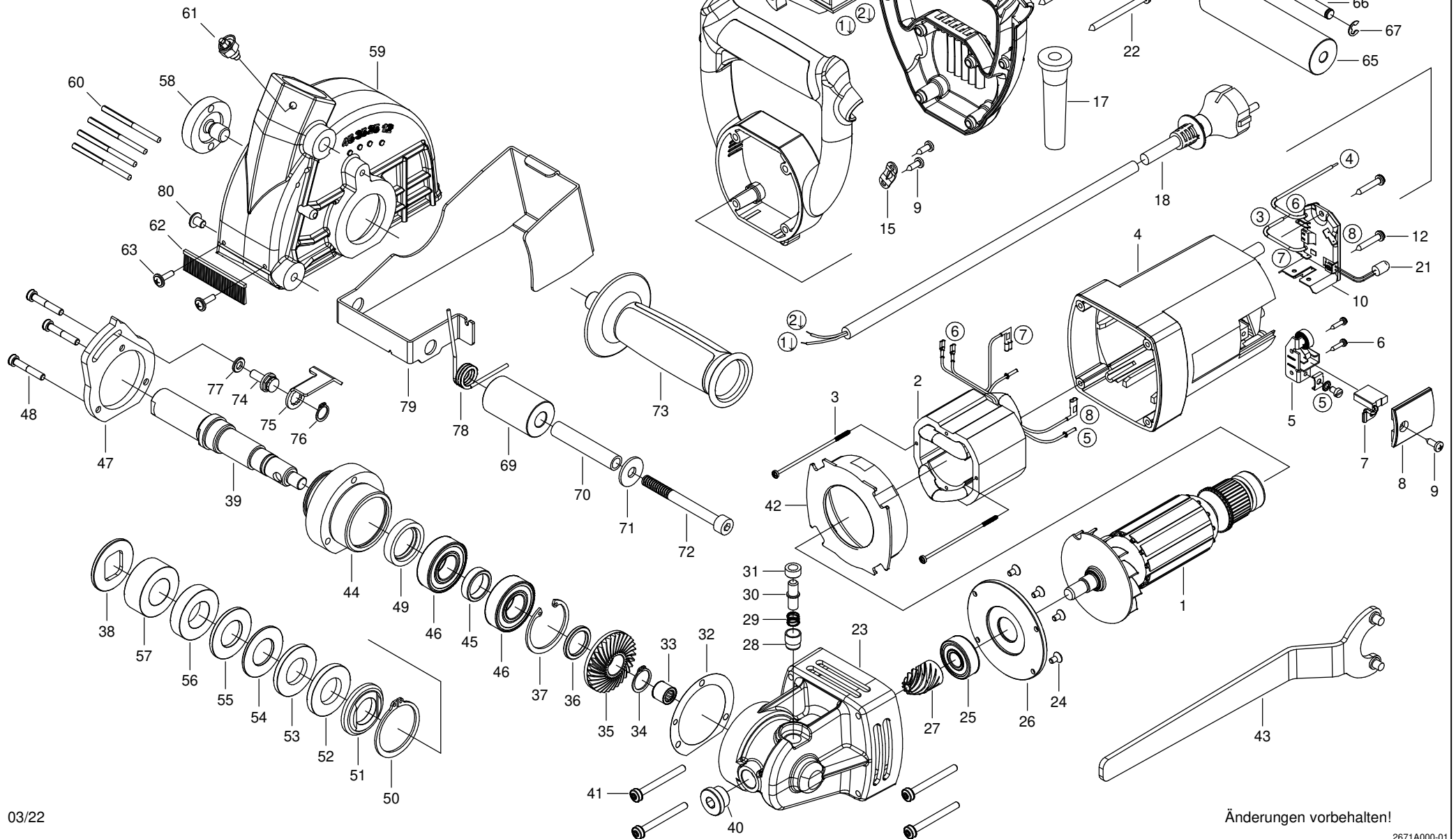




# Ersatzteilliste

EMF 150.1



# 0671A000 - EMF\_150.1 Version: 01

as of serial no.: 102377

Pos.	Description	Item No.	pc.				
1	Rotor, compl. 230V	76711100	1	53	Ring 4mm	76711586	1
2	Stator, compl. 230V	76711150	1	54	Ring 2mm	76711584	1
3	Screw 3x78	80201234	2	55	Ring 3mm	76711585	1
4	Motor housing	80900069	1	56	Ring 10mm	76711588	1
5	Brush holder, compl.	80201199	2	57	Ring 17mm	76711589	1
6	Screw 2,9x13	80201252	4	58	Clamping screw	76711583	1
7	Carbon brush 6,3x16x20	80700044	2	59	Suction hood	7671A575	1
8	Brush cover	80900073	2	60	Grooved pin 4x55	80200587	4
9	Screw 4,2x13	80201270	4	61	Snap bolt M8	80110101	1
10	Printed circuit board 230V	80601155	1	62	Brush strip	76711597	1
12	Screw 4,2x25	80201273	6	63	Screw M4x6	80201462	2
14	Handle segment	80900268	1	64	Roll mounting	76711578	1
15	Wire locking flange	85000020	1	65	Roller 1	76711574	1
17	Cable grommet	83000004	1	66	Axle	76711573	1
18	Connecting cable 2x1,5mm <sup>2</sup> 5m	80600403	1	67	Lock washer 6	80201504	2
19	Switch	80600506	1	68	Screw 4,2x13	80201270	2
20	LED holder	80601153	1	69	Roller 2	7671A576	1
21	LED	80601154	1	70	Clamp tube	76711577	1
22	Screw 4,8x60	80201285	4	71	Washer 8,4	80201391	1
23	Gearbox housing	76711400	1	72	Screw M8x80	80201222	1
24	Screw M4x10	80200632	4	73	Handle, compl.	73320595	1
25	Grooved ball bearing 6201 LUZ	80410101	1	74	Locking screw	76711407	1
26	Armature plate	76711110	1	75	Clamping lever	76711408	1
27	Bevel pinion	85000313	1	76	Retaining ring 11x1	80201320	1
28	Bush 1	75412554	1	77	Washer 6,4	80201375	1
29	Compression spring	80200802	1	78	Torsion spring	7671A577	1
30	Bolt	75412425	1	79	Dust protection	7671A650	1
31	Bush 2	75412555	1	80	Screw M6x8	80201212	1
32	Adjusting foil	82000516	1				
33	Needle sleeve DL1012	80420116	1				
34	Retaining ring 17x1	80201323	1				
35	Bevel gear	85000314	1				
36	Spacer 2	76711425	1				
37	Retaining ring 42x1,75	80201335	1				
38	Pressure washer	76721422	1				
39	Work spindle	76721420	1				
40	Cap screw 3/8"	85000224	1				
41	Screw 5x50	80201436	4				
42	Air guiding ring	80900284	1				
43	Face spanner	80430042	1				
44	Gear cover bush	76711410	1				
45	Spacer 1	76711415	1				
46	Grooved ball bearing 6004 2RS	80410051	2				
47	Punched disc	76711405	1				
48	Screw M5x30	80201616	3				
49	Shaft seal 24x36x7	83000205	1				
50	Retaining ring 42x1,75	80201349	1				
51	Flange	76711580	1				
52	Ring 5mm	76711587	1				

Uebergeordnete\_Maschine\_ArtNr  
0671G000

Uebergeordnete\_Maschine\_Version  
01