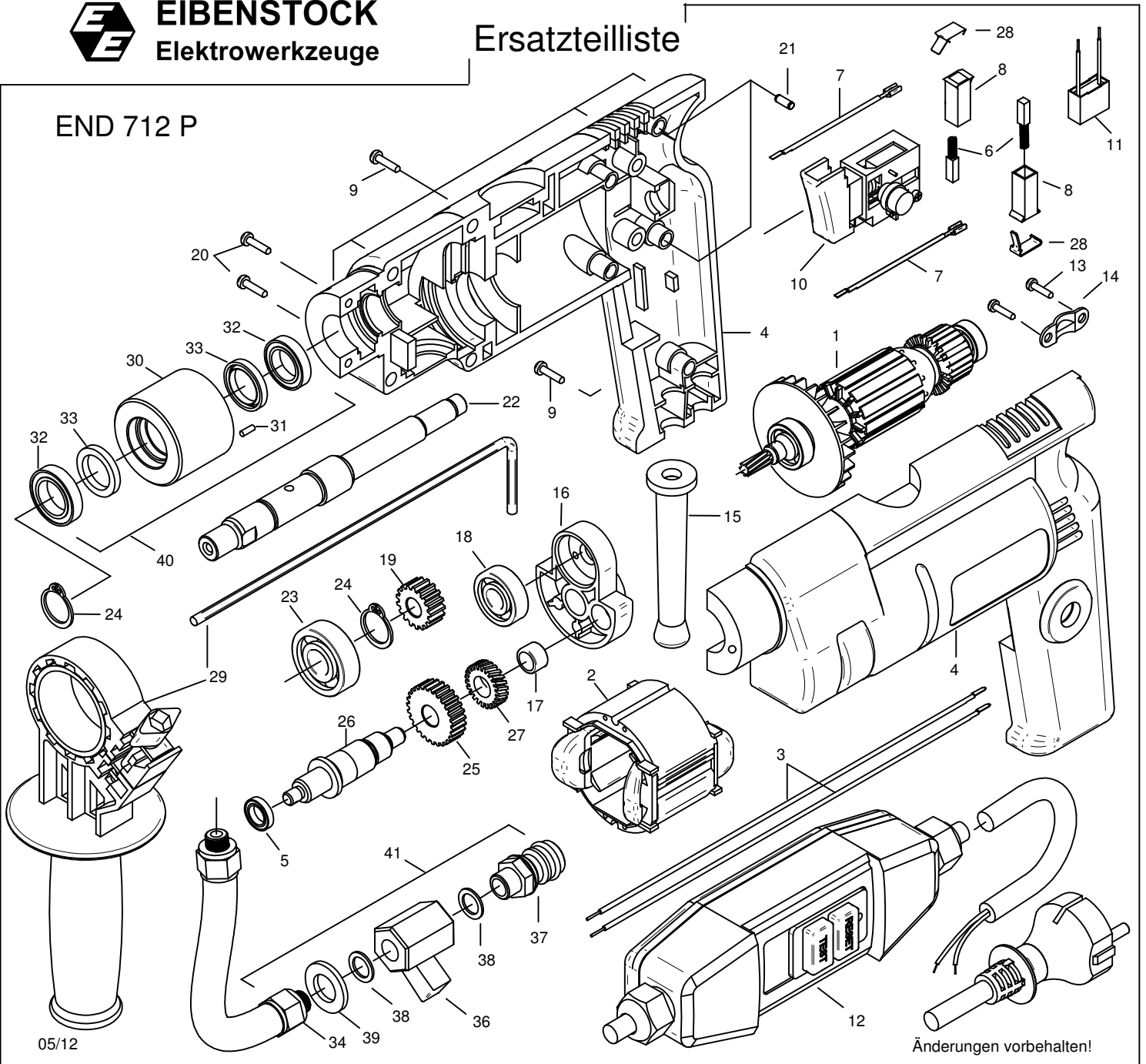




EIBENSTOCK
Elektrowerkzeuge

Ersatzteilliste

END 712 P



05/12

Änderungen vorbehalten!

END 712 P - 230 V

03015000

No.	Description	Order No.	Pcs	No.	Description	Order No.	Pcs
1	rotor complete	73015100	1	22	work spindle	73015420	1
2	stator complete	73015150	1	23	grooved ball bearing 6002 2RSL	80410038	1
3	pigtail	80600077	2	24	locking ring 15/1	80201322	2
4	housing	73015263	1	25	intermediate wheel	73015470	1
5	grooved ball bearing 625	80410019	1	26	intermediate shaft	73015500	1
6	carbon brush 6,3x6,3x15,2	80700045	2	27	intermediate wheel	73015450	1
7	brush holder wire	73011184	2	28	cover	73015223	2
8	brush holder	80700039	2	29	support handle complete	80901015	1
9	self tapping screw 3,9x22	80201110	9	30	water supply unit	73011680	1
10	switch	80600135	1	31	notched pin plug 4x12	80200582	1
11	anti parasite condenser	80500010	1	32	grooved ball bearing 6802 2RS	80410154	2
12	connecting cable PRCD	73015262	1	33	shaft seal ring 15x21x3 KEIV	83000042	2
13	self tapping screw HC 3,5x9,5	80201109	2	34	connecting hose	83000109	1
14	wire locking flange	80900058	1	35			
15	cable grommet	83000139	1	36	mini ball valve	83000117	1
16	bearing shield	73015610	1	37	connecting piece	83000124	1
17	needle sleeve RNA 8x12x6	80420039	1	38	seal ring 1/4"	83000107	2
18	grooved ball bearing 609	80410013	1	39	washer A13,5	80201382	1
19	intermediate wheel	73015480	1	40	connecting ring, premounted	7301568U	1
20	self tapping screw 3,5x16	80201111	2	41	water connector	73636950	1
21	silicone plug	80901055	2				
