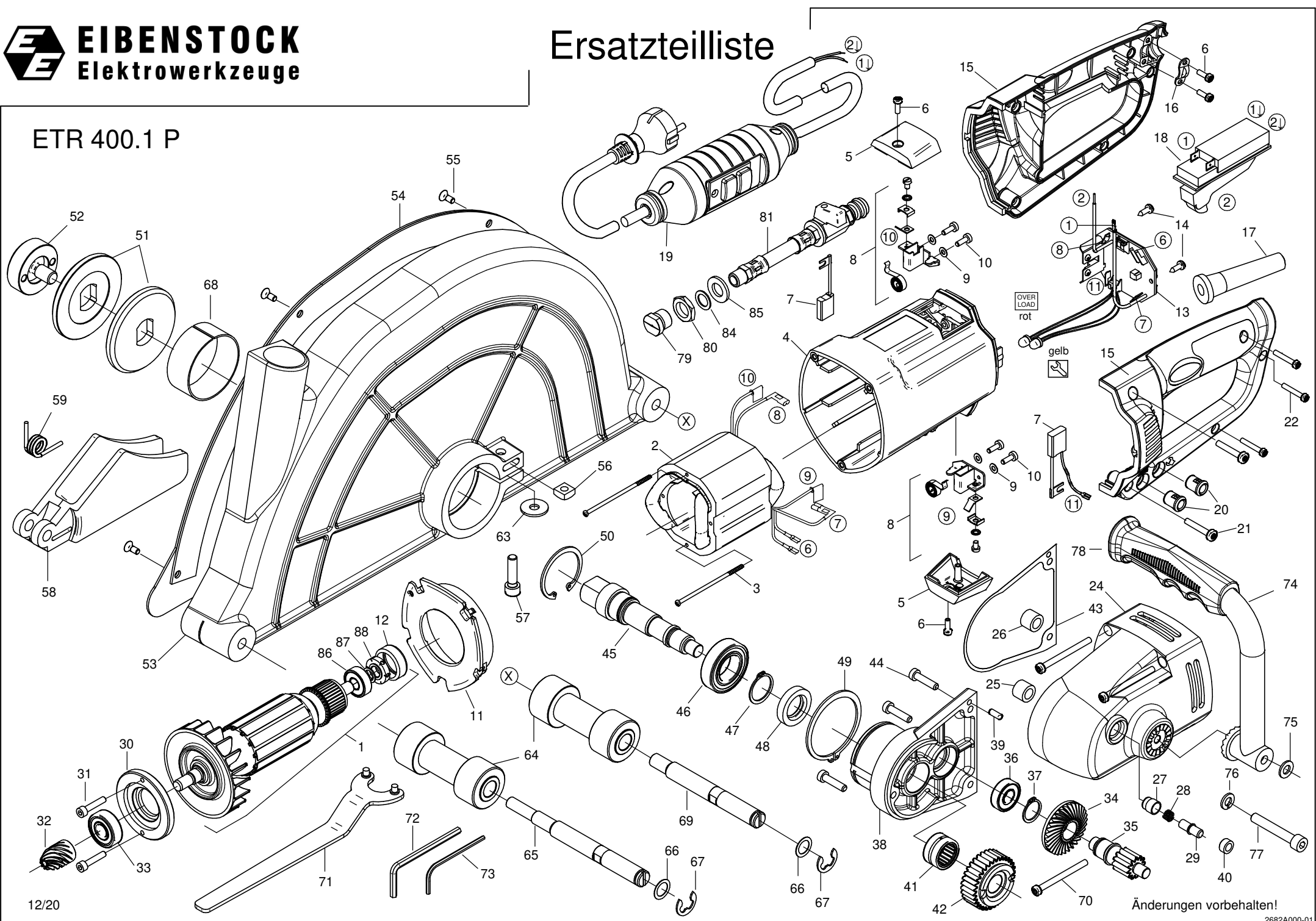


# Ersatzteilliste

ETR 400.1 P



# 0682A000 - ETR\_400.1\_P Version: 01

as of serial no.: 102377

Pos	Description	Item No.	pc	Pos.	Description	Item No.	pc.
1	Rotor, compl. 230V	76815100	1	50	Retaining ring 47x1,75	80201336	1
2	Stator, compl. 230V	73641150	1	51	Spring washer	76815560	2
3	Screw 3x78	80201234	2	52	Clamp screw	76815583	1
4	Motor housing	73E31200	1	53	Suction hood	76825575	1
5	Cover pair	73E3121U	1	54	Cover plate	76825576	1
6	Screw 4x12	80201413	4	55	Screw M5x12	80201226	4
7	Carbon brush set	73E31220	1	56	Nut M8	40600048	1
8	Brush holder, compl.	73E3122S	2	57	Screw M8x30	80201143	1
9	Spring washer 4	80201385	4	58	Dust collector	76815650	1
10	Screw M4x12	80201180	4	59	Torsion spring	76815655	1
11	Air guiding ring	73641145	1	63	Washer 8,4	80201391	1
12	Bearing cap	83000031	1	64	Roller 1	76815572	2
13	Printed circuit board 230V	76818280	1	65	Shaft 1	76815573	1
14	Screw 4,2x13	80201270	2	66	Washer 15	80201352	2
15	Pair of handle halves	7682126U	1	67	Lock washer 12	80201651	2
16	Wire locking flange	85000020	1	68	Bushing	76815408	1
17	Cable grommet	83000004	1	69	Shaft 2	76815577	1
18	Switch	80600506	1	70	Screw 5x60	80201484	3
19	Connecting cable PRCD 2x1,5mm² 5m	76818262	1	71	Face spanner	80430042	1
20	LED holder	80601153	2	72	Spanner SW 6	80430043	1
21	Screw 5x30	80201411	2	73	Spanner SW 3	80430053	1
22	Screw 4x25	80201412	3	74	Tube handle	76815590	1
24	Gearbox housing	76815400	1	75	Washer 8,4	80201377	1
25	Needle sleeve DL1212	80420129	1	76	Spring lock washer 8	80201309	1
26	Needle sleeve DL1012	80420116	1	77	Screw M8x55	80201224	1
27	Bush 1	75412554	1	78	Rubber handle	83000006	1
28	Compression spring	80200802	1	79	Nozzle	76818955	1
29	Bolt	75412425	1	80	Nut G3/8"	85000138	1
30	Disc	76815310	1	81	Water connector, compl.	76818950	1
31	Screw M5x25	80201127	2	84	Seal ring 1/4"	83000107	1
32	Bevel pinion	85000325	1	85	Washer 13,5	80201382	1
33	Grooved ball bearing 6201 LUZ	80410101	1	86	Grooved ball bearing 6000 2Z	80410021	1
34	Bevel gear	85000326	1				
35	Intermediate shaft	76825490	1				
36	Grooved ball bearing 6001 2Z	80410031	1	87	Seal ring 10x14x1	83000507	1
37	Retaining ring 17x1	80201323	1	88	Magnetic ring 24x10x6	73641325	1
38	Gearbox cover	76815405	1				
39	Parallel pin 5x14	80200579	1				
40	Bush 2	75412555	1				
41	Needle bearing 20/16	80420145	1				
42	Spindle wheel	76825430	1				
43	Adjusting foil	82000513	1				
44	Screw M6x20	80201124	3				
45	Work spindle	76815420	1				
46	Grooved ball bearing 6005 2RS	80410061	1				
47	Retaining ring 25x1,2	80201327	1				
48	Shaft seal 20x35x7	83000078	1				
49	Retaining ring 60x2	80201650	1				

Uebergeordnete\_Maschine\_ArtNr  
0682C000

Uebergeordnete\_Maschine\_ArtNr  
0682C000

Uebergeordnete\_Maschine\_Version  
01

Uebergeordnete\_Maschine\_Version  
01