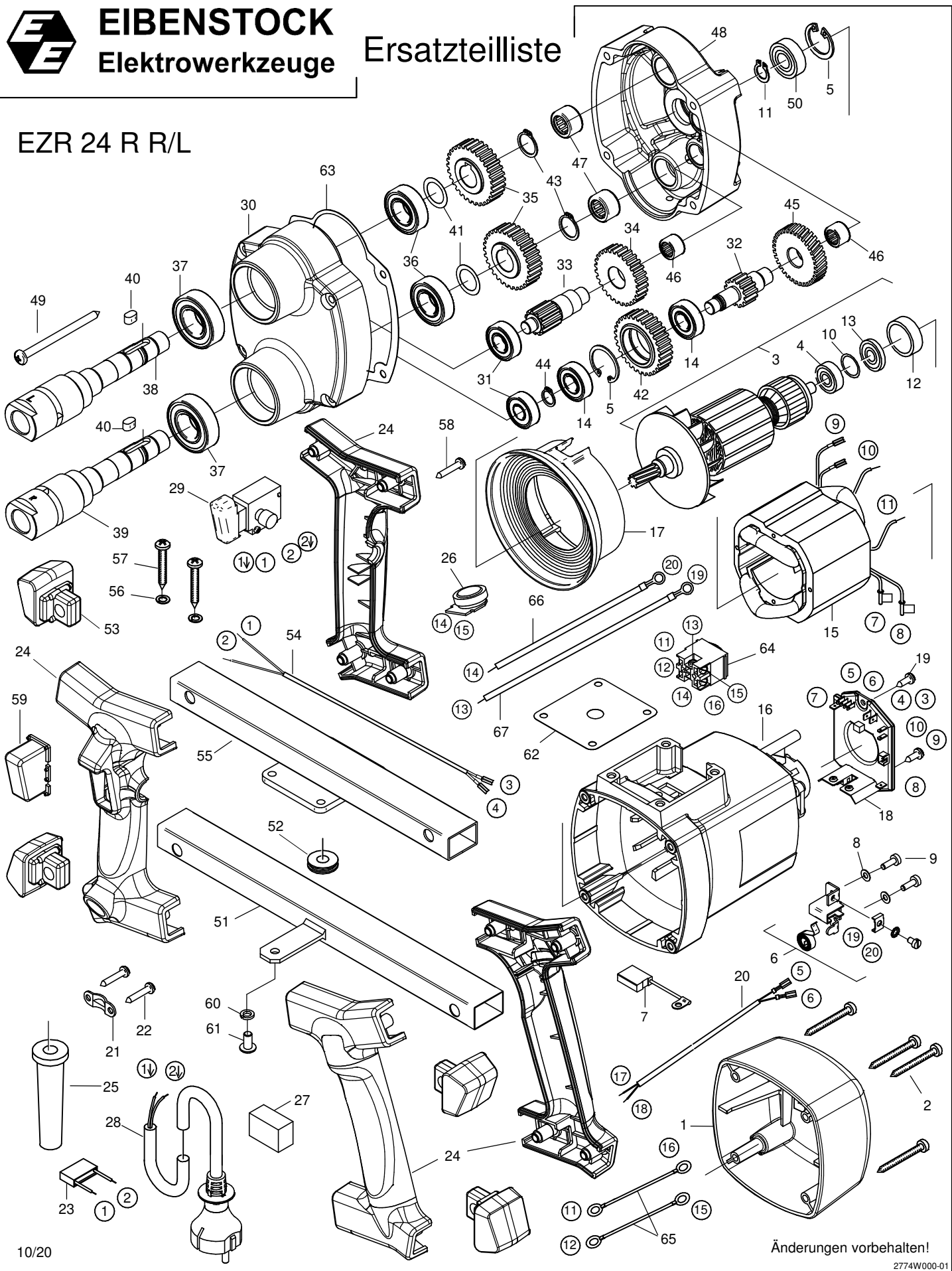




EZR 24 R R/L



0774W000 - EZR_24_R_R_L Version: 01

as of serial no.: 2020 0061

Pos.	Description	Item No.	pc.	Pos.	Description	Item No.	pc.
1	Cap	80900189	1	50	Grooved ball bearing 6001 2RS	80410032	1
2	Screw 4,8x45	80201267	4	51	Side plate 1	7774P591	1
3	Rotor, compl. 230V	7774W100	1	52	Cable grommet HV1305	83000051	1
4	Grooved ball bearing 6000 2Z	80410021	1	53	Rubber buffer	77420594	4
5	Retaining ring 28x1,2	80201333	2	54	Interconnecting wire	80600078	1
6	Brush holder, compl.	80201199	2	55	Side plate 2	7743D592	1
7	Carbon brush 6,3x16x20	80700021	2	56	Spring lock washer 5	80201302	4
8	Spring washer 4	80201385	4	57	Screw 6x20	80201278	4
9	Screw M4x12	80201180	4	58	Screw 5x30	80201411	8
10	Fibre washer 10x14x0,5	80200998	1	59	Trigger cover	77420365	1
11	Retaining ring 11x1	80201320	1	60	Spring lock washer 6	80201303	1
12	Bearing cap	83000031	1	61	Screw M6x12	80201209	1
13	Magnetic ring 24x10x4,8	80701004	1	62	Insulating foil	82000514	1
14	Grooved ball bearing 6001 2Z	80410031	2	63	Gearbox seal	82000517	1
15	Stator, compl. 230V	74326150	1	64	Switch	80600110	1
16	Motor housing	7774P201	1	65	Interconnecting wire	80600243	2
17	Air guiding ring	71540144	1	66	Interconnecting wire 1	74326181	1
18	Printed circuit board 230V	74326280	1	67	Interconnecting wire 2	74326182	1
19	Screw 4,2x9,5	80201269	2				
20	Control wire	7731B187	1				
21	Wire locking flange	85000020	1				
22	Screw 4,2x13	80201270	2				
23	Capacitor	80500010	1				
24	Handle set R	7774A26U	1				
25	Cable grommet	83000004	1				
26	Potentiometer, compl.	7731G27U	1				
27	Foam filler	80600306	1				
28	Connecting cable 2x1mm ² 3m	80600470	1				
29	Switch	80600158	1				
30	Gearbox housing	7774P400	1				
31	Grooved ball bearing 6000	80410020	2				
32	Intermediate shaft 1	7774P490	1				
33	Intermediate shaft 2	7774P500	1				
34	Intermediate wheel 2	7774P480	1				
35	Spindle wheel	7774P430	2				
36	Grooved ball bearing 6003 2RS	80410043	2				
37	Grooved ball bearing 6004 2RS	80410051	2				
38	Work spindle L	7774P420	1				
39	Work spindle R	7774P425	1				
40	Parallel key 6x6x12	80201496	2				
41	Shim ring 17x24x0,2	80200507	2				
42	Wheel	7774P550	1				
43	Retaining ring 17x1	80201323	2				
44	Retaining ring 12x1	80201321	1				
45	Intermediate wheel 1	7774W470	1				
46	Needle sleeve HK1210B	80420131	2				
47	Needle sleeve HK1512	80420143	2				
48	End shield of gearing	7774P610	1				
49	Screw 5,5x80	80201227	4				