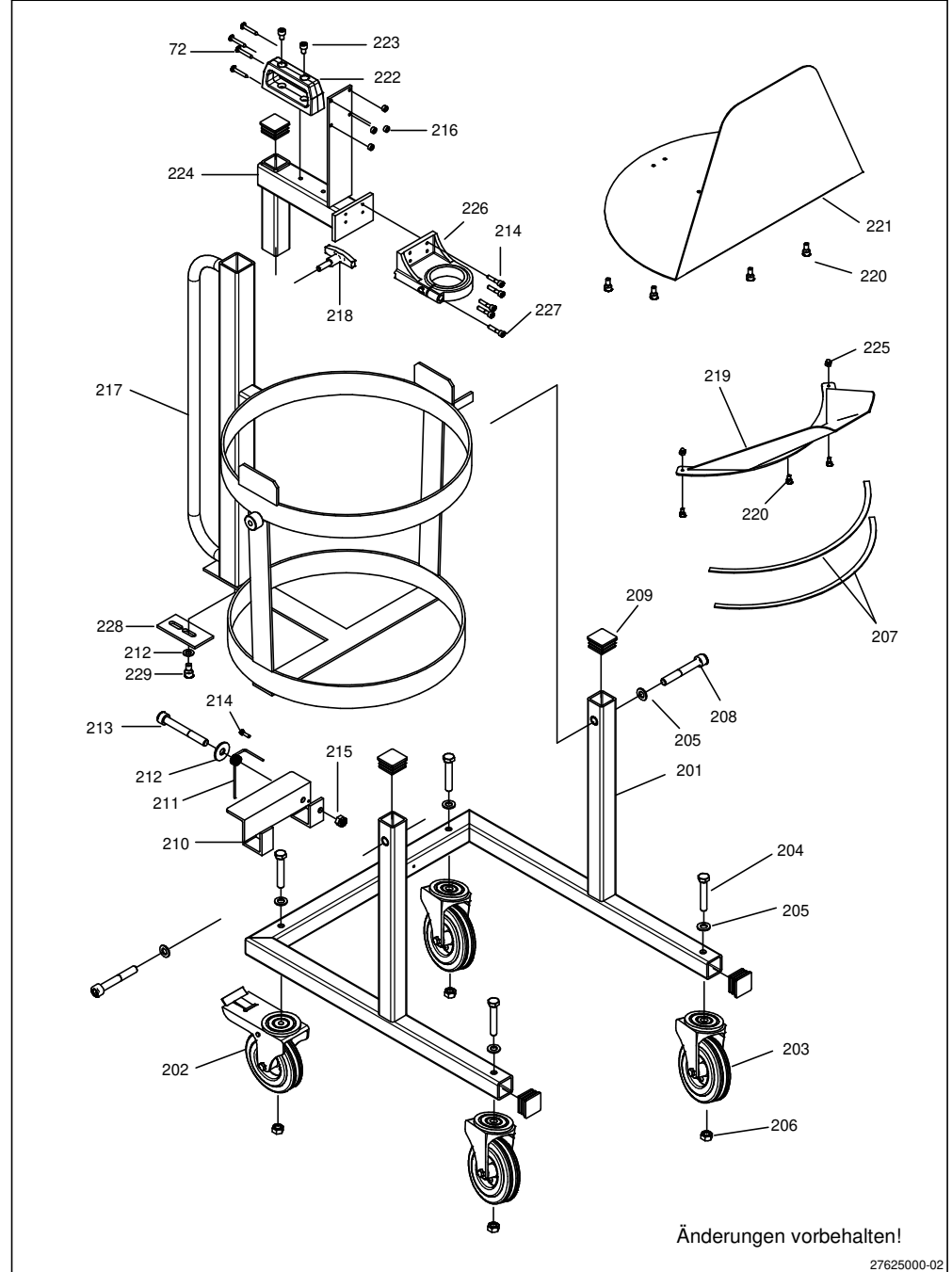
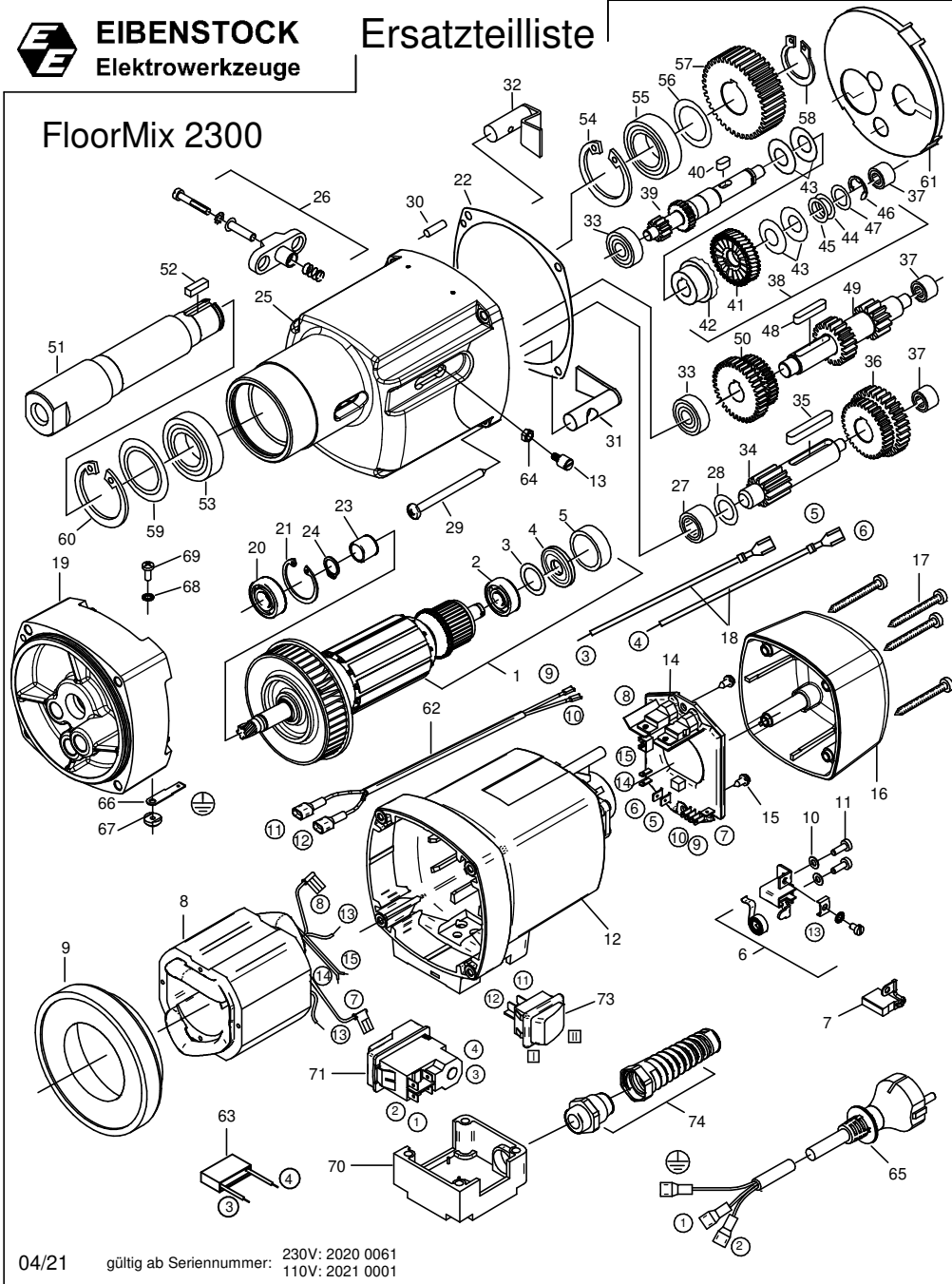


FloorMix 2300



07625000 - FloorMix_2300 Version: 02

as of serial no.: 2020 0061

Pos.	Description	Item No.	pc.	Pos.	Description	Item No.	pc.
1	Rotor, compl. 230V	74641100	1	50	Gear block 1	71540440	1
2	Grooved ball bearing 6000 2Z	80410021	1	51	Work spindle	7752G420	1
3	Seal ring 10x14x1	83000507	1	52	Parallel key 6x6x20	80200606	1
4	Magnetic ring 24x10x6	73641325	1	53	Grooved ball bearing 6006 2RS	80410071	1
5	Bearing cap	83000031	1	54	Retaining ring 47x1,75	80201336	1
6	Brush holder, compl.	80201199	2	55	Grooved ball bearing 6005 2RS	80410061	1
7	Carbon brush 6,3x16x20	80700019	2	56	Shim ring 25x35x0,1	80200512	1
8	Stator, compl. 230V	7343A150	1	57	Spindle wheel	71540430	1
9	Air guiding ring	73511141	1	58	Retaining ring 24x1,2	80201326	1
10	Spring washer 4	80201385	4	59	Disc	71540426	1
11	Screw M4x12	80201180	4	60	Retaining ring 55x2	80201338	1
12	Motor housing	77625200	1	61	Grease compartment barrier	80900110	1
13	Spring screw	71323224	1	62	Control wire	77314187	1
14	Printed circuit board 230V	77621280	1	63	Capacitor	80500010	1
15	Screw 4,2x9,5	80201269	2	64	Nut M5	80201295	1
16	Cap	80900189	1	65	Connecting cable 3x1,5mm ² 0,3m	77625340	1
17	Screw 4,8x45	80201267	4	66	Ground connector	80601189	1
18	Interconnecting wire	80600290	2	67	Locking nut M4	73631188	1
19	End shield of gearing	77625610	1	68	Tooth lock washer 4,3	80200752	1
20	Grooved ball bearing 6201 LUZ	80410101	1	69	Screw M4x8	80201451	1
21	Retaining ring 32x1,2	80201351	1	70	Switch box	77625630	1
22	Gearbox seal	82000509	1	71	Switch	80600105	1
23	Sealing bush 12x15x12,5	80420160	1	72	Screw 5,5x50	80201294	4
24	Retaining ring 12x1	80201321	1	73	Switch	77625360	1
25	Gearbox housing	74558400	1	74	Cable gland M20x1,5	80600179	1
26	Gear changer, compl.	7154A545	1	201	Base frame	77626810	1
27	Needle bearing RNA 4900	80420001	1	202	Caster wheel with brake	40600110	1
28	Disc	71540517	1	203	Caster wheel	40600109	3
29	Screw 5,5x70	80201298	4	204	Screw M12x70	80201654	4
30	Grooved pin 5x16	80200580	1	205	Washer 13	80201381	6
31	Coupling bolt 2	71540530	1	206	Nut M12	80201036	4
32	Coupling bolt 1	71540520	1	207	Anti-slip strip	83000312	1
33	Grooved ball bearing 6000	80410020	2	208	Screw M12x65	80201396	2
34	Intermediate shaft 3	71540510	1	209	Conductor	40600099	5
35	Parallel key 6x6x40	80200608	1	210	Bar 2	77626820	1
36	Gear block 2	71540450	1	211	Torsion spring	77625825	1
37	Needle sleeve HK0810	80420110	3	212	Washer 10,5	80201380	2
38	Clutch compl.	7154A493	1	213	Screw M10x80	80201171	1
39	Intermediate shaft 1	71540490	1	214	Screw M5x16	80201108	5
40	Parallel key 5x5x10	80200600	1	215	Nut M10	80201034	1
41	Coupling wheel	7752A550	1	216	Spacer block	80200401	4
42	Coupling half	71540560	1	217	Frame	77625840	1
43	Disc spring 28x12,2x1	80200713	4	218	Handle	85000139	1
44	Pressure washer	71540607	1	219	Spout	77625660	1
45	Shim ring 12x18x0,5	80200503	1	220	Screw M6x12	80201119	7
46	Safety washer 9	80201361	1	221	Cover	77625650	1
47	Pressure washer 12,1x18x1	71540606	1	222	Handle	796DE817	1
48	Parallel key 5x5x28	80200602	1	223	Screw M8x16	80201160	2
49	Intermediate shaft 2	71540500	1	224	Support	77625770	1

Pos.	Description	Item No.	pc.
225	Nut M6	80201038	2
226	Machine holder, compl.	61289919000	1
227	Screw M6x25	80201125	1
228	Arrestor	77625822	1
229	Screw M10x16	80201166	1