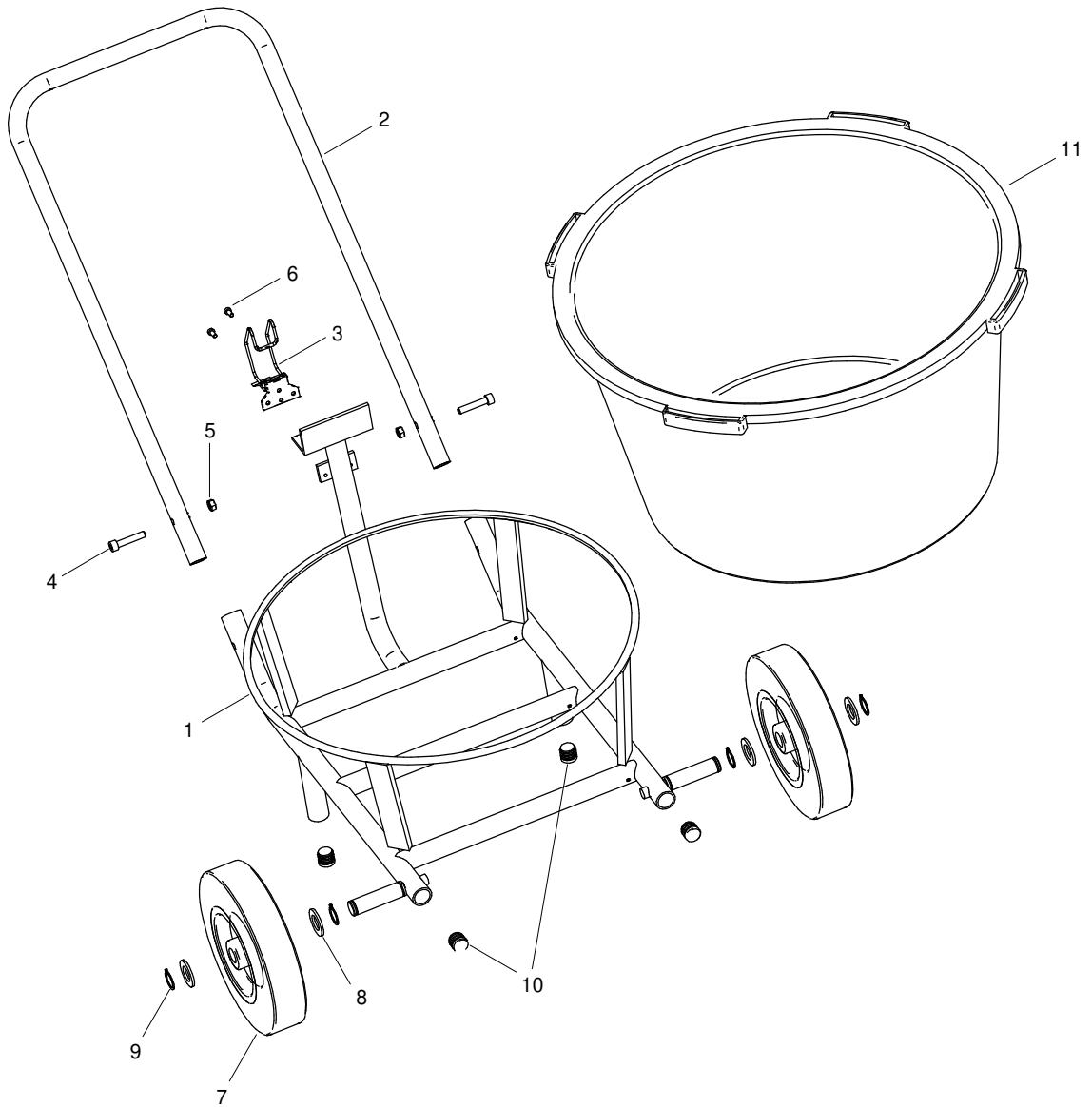




Transportwagen  
Twinmix 1800



**09Z11000 - Transportwagen\_Twinmix\_1800 Version: 01**

as of serial no. : 4193 2018

<b>Pos.</b>	<b>Description</b>	<b>Item No.</b>	<b>pc.</b>
1	Support frame	77621840	1
2	Bow handle	77621830	1
3	Fastener	80430027	1
4	Screw M8x40	80201161	2
5	Nut M8	80201221	2
6	Screw M5x12	80201230	2
7	Wheel	40600060	2
8	Washer 21	40600096	4
9	Retaining ring 20x1,2	80201324	4
10	Conductor	40600034	4
11	Mixing bucket 65 l for Automix 1801/TwinMix 1800 T	32341000	1