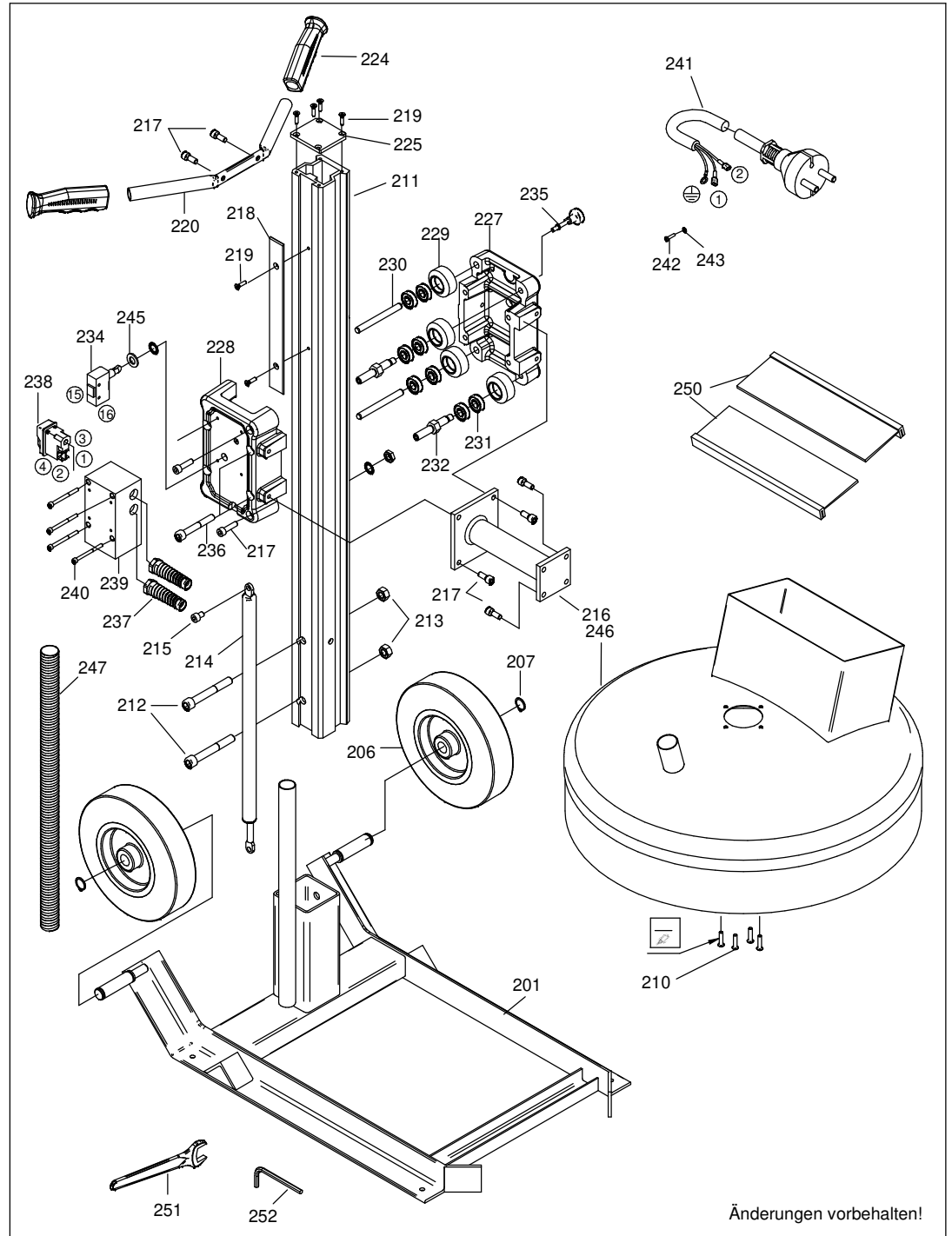
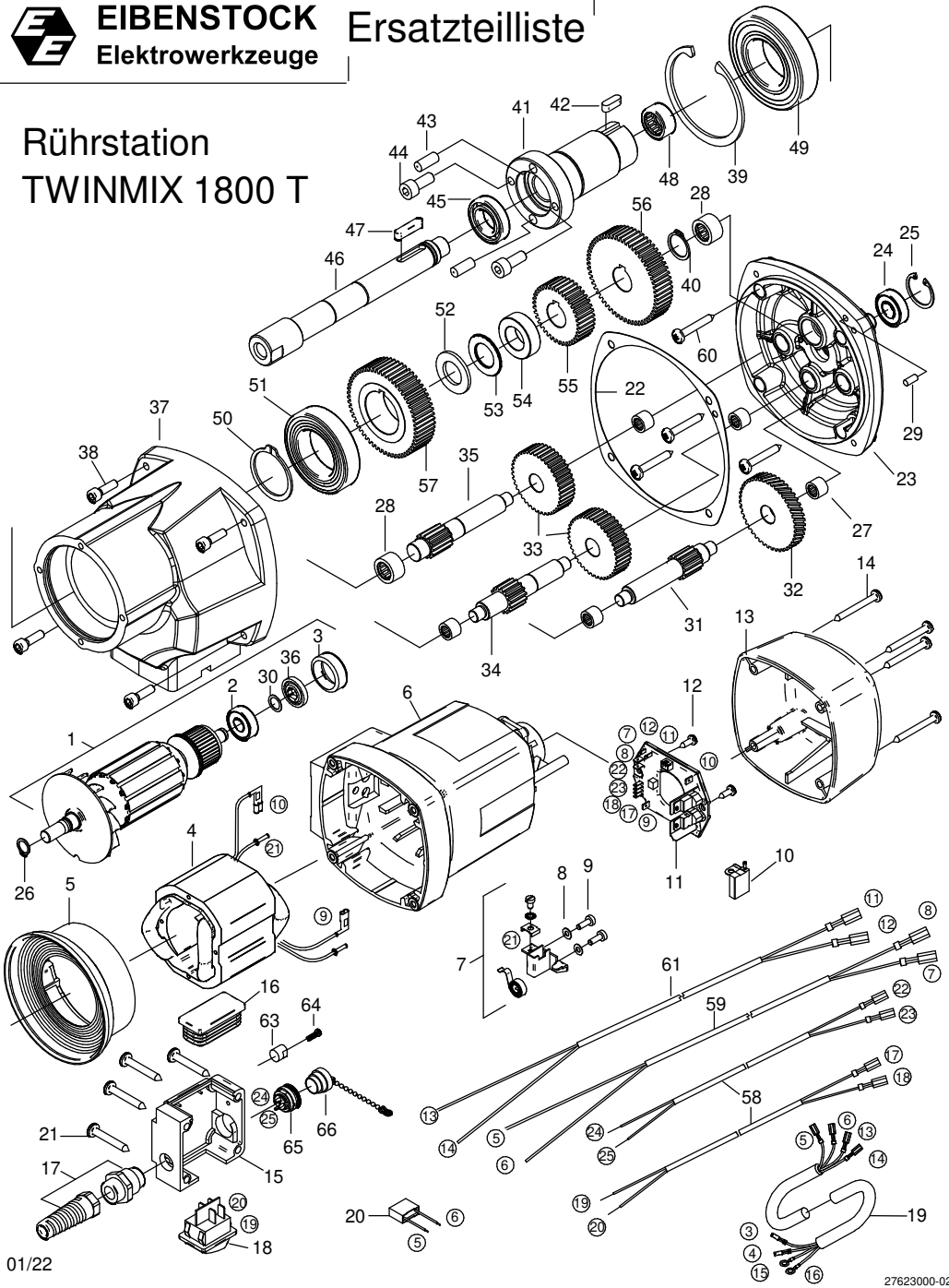


Rührstation
TWINMIX 1800 T



07623000 - TwinMix_1800_T Version: 02

as of serial no.: 102377

Pos.	Description	Item No.	pc.	Pos.	Description	Item No.	pc.
1	Rotor, compl. 230V	7152B100	1	50	Retaining ring 40x1,75	80201348	1
2	Grooved ball bearing 6000 2Z	80410021	1	51	Grooved ball bearing 6008 2RS	80410075	1
3	Bearing cap	83000031	1	52	Bearing cover LS 2035	80420166	1
4	Stator, compl. 230V	77621150	1	53	Axial bearing AXK 2035	80420041	1
5	Air guiding ring	71540144	1	54	Spacer	77621585	1
6	Motor housing	77623201	1	55	Intermediate wheel 3	77621440	1
7	Brush holder, compl.	80201199	2	56	Intermediate wheel 2	77621480	1
8	Spring washer 4	80201385	4	57	Intermediate wheel 5	77621450	1
9	Screw M4x12	80201180	4	58	Control wire	77314187	2
10	Carbon brush 6,3x16x20	80700019	2	59	Interconnecting wire	7152B184	1
11	Printed circuit board 230V	77621280	1	60	Screw 5,5x32	80201291	4
12	Screw 4,2x9,5	80201269	2	61	Interconnecting wire	77622187	1
13	Cap	80900189	1	63	Bushing	7152D635	1
14	Screw 4,8x45	80201267	4	64	Screw 3,0x10	80201600	1
15	Switch box 1	77623630	1	65	Bushing	80601110	1
16	Plug	80900249	1	66	Cap guard	80601111	1
17	Cable gland M20x1,5	80600179	1	201	Sub-frame	77621810	1
18	Switch	77621360	1	206	Wheel	40600060	2
19	Intermediate cable	77622340	1	207	Retaining ring 20x1,2	80201324	2
20	Capacitor	80500010	1	210	Screw M6x25	80201437	4
21	Screw 5,5x38	80201292	4	211	Column	77621750	1
22	Gearbox seal	77621620	1	212	Screw M12x90	40600093	2
23	End shield of gearing	77621610	1	213	Nut M12	80201014	2
24	Grooved ball bearing 6001 2Z	80410031	1	214	Gas-loaded spring	80203005	1
25	Retaining ring 28x1,2	80201333	1	215	Screw M8x16	80201129	1
26	Retaining ring 11x1	80201320	1	216	Handle	77621770	1
27	Needle sleeve HK1010	80420115	5	217	Screw M8x20	80201147	12
28	Needle sleeve HK1512	80420143	2	218	Plate	77621755	1
29	Grooved pin 5x12	80200584	1	219	Screw M5x20	80201168	6
30	Fibre washer 10x14x0,5	80200998	1	220	Handle	77621695	1
31	Intermediate shaft 1	77621490	1	224	Rubber handle	83000006	1
32	Intermediate wheel 1	77621430	1	225	Column cover	796UN920	1
33	Intermediate wheel 4	77621470	2	227	Slide right	77621760	1
34	Intermediate shaft 2	77621500	1	228	Slide left	77621765	1
35	Intermediate shaft 3	77621510	1	229	Roller	796R1763	4
36	Magnetic ring 24x10x4,8	80701004	1	230	Parallel pin 12x80	40600094	2
37	Gearbox housing	77621400	1	231	Grooved ball bearing 6001 2RS	80410036	8
38	Screw M6x25	80201125	4	232	Shaft	77621740	2
39	Retaining ring 80x2,5	80201547	1	234	Limit switch	80600533	1
40	Retaining ring 20x1,2	80201324	1	235	Locking bolt M16	85000191	1
41	Shaft	77621600	1	236	Screw M10x70	80201243	4
42	Parallel key 6x6x20	80200618	1	237	Cable gland M20x1,5	80600179	2
43	Parallel pin 8x20	80201645	2	238	Switch	80600105	1
44	Screw M8x20	80201147	2	239	Switch box 2	77622728	1
45	Grooved ball bearing 6904 2RS	80410152	1	240	Screw M5x60	80201368	4
46	Work spindle	77621420	1	241	Connecting cable 3x1mm ² 3m	80600063	1
47	Parallel key 6x6x28	80200614	1	242	Screw M4x10	80201201	1
48	Needle sleeve HK2012	80420150	1	243	Tooth lock washer 4,3	80200752	1
49	Grooved ball bearing 6208 2RS	80410142	1	245	Washer 13	80201381	1

Pos.	Description	Item No.	pc.
246	Hood	77621650	1
247	Protective hose	796UN247	1
250	Brush	77621675	2
251	Spanner SW 13	80430045	1
252	Spanner SW 6	80430043	1