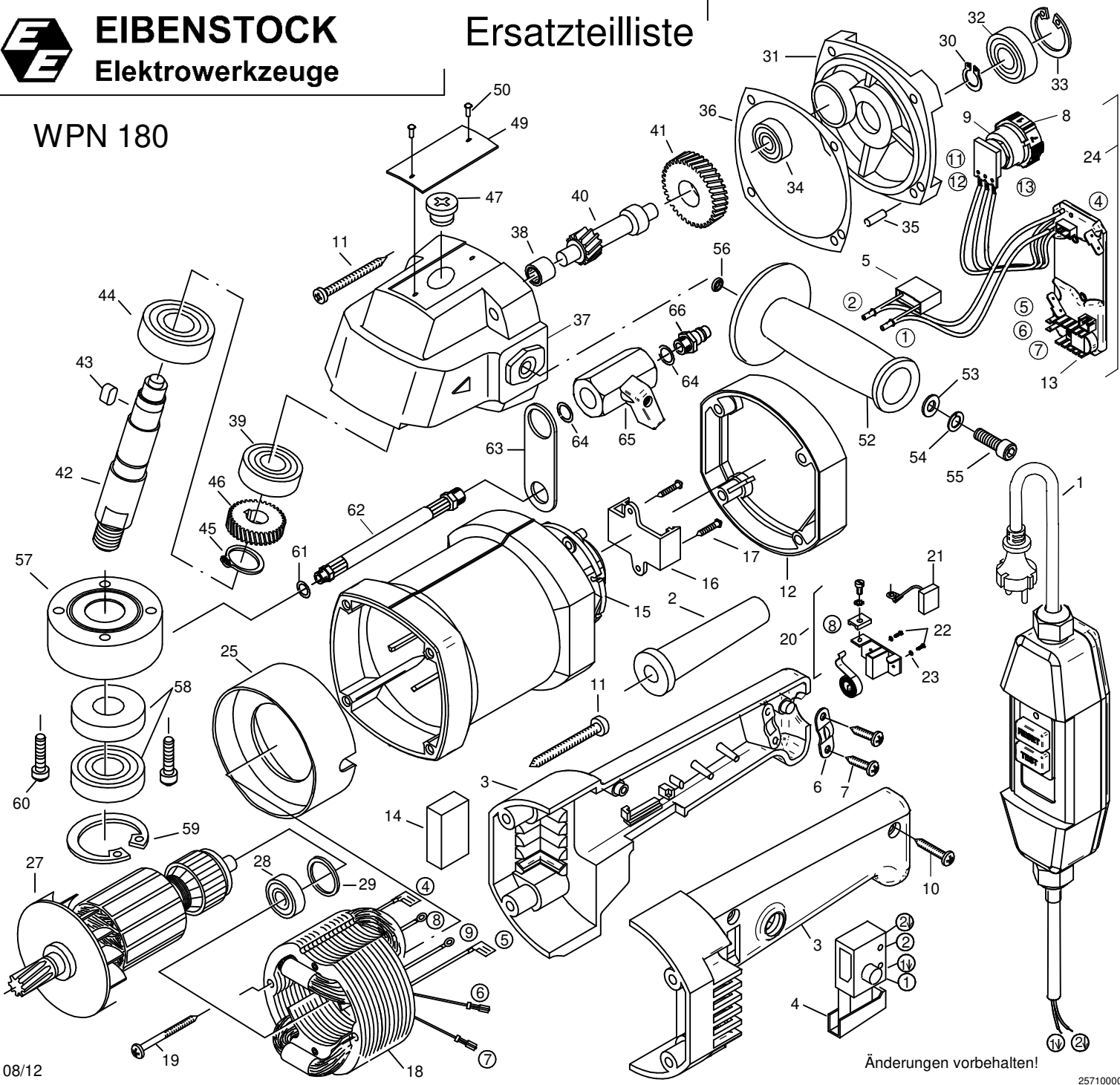




EIBENSTOCK
Elektrowerkzeuge

Ersatzteilliste

WPN 180



08/12

Änderungen vorbehalten!

25710000-01

05710000 - WPN_180 Version: 01

as of serial no.: 2021 2214

Pos.	Description	Item No.	pc.	Pos.	Description	Item No.	pc.
1	Connecting cable PRCD 2x1mm ² 5m	7570C262	1	52	Additional handle	80901011	1
2	Cable grommet	83000004	1	53	Washer 6,4	80201375	1
3	Handle caps	80901028	1	54	Spring lock washer 6	80201303	1
4	Switch	80600507	1	55	Screw M6x16	80201210	1
5	Capacitor	80500010	1	56	O-ring 4,9x1,9	83000035	1
6	Wire locking flange	85000020	1	57	Water supply	75710405	1
7	Screw 4,2x13	80201270	2	58	Shaft seal 20x35x7	83000034	2
8	Adjusting wheel	75613231	1	59	Retaining ring 35x1,5	80201334	1
9	Potentiometer 100 kOhm	80500020	1	60	Screw M5x25	80201127	4
10	Screw 4,2x22	80201272	3	61	Seal ring 1/8"	83000106	1
11	Screw 4,8x50	80201284	8	62	Connecting hose	83000122	1
12	Intermediate spacer	80901000	1	63	Supporting plate	85000031	1
13	Printed circuit board 230V	75613280	1	64	Seal ring 1/4"	83000107	2
14	Foam filler	80600306	1	65	Mini ball valve 1/4x1/4"	83000117	1
15	Motor housing	80900088	1	66	Connecting piece	83000124	1
16	Fastener	80900147	1				
17	Screw 2,9x13	80201252	2				
18	Stator, compl. 230V	75613150	1				
19	Screw 3,9x60	80201266	2				
20	Brush holder, compl.	80201196	2				
21	Carbon brush 6,3x10x18	80700013	2				
22	Screw M4x12	80201180	4				
23	Spring washer 4	80201385	4				
24	Printed circuit board, compl. 230V	7561328U	1				
25	Air guiding ring	80900017	1				
27	Rotor, compl. 230V	75613100	1				
28	Grooved ball bearing 608 2Z	80410011	1				
29	O-ring 22x2,5	83000036	1				
30	Retaining ring 10x1	80201305	1				
31	End shield of gearing	75613610	1				
32	Grooved ball bearing 6001 2Z	80410031	1				
33	Retaining ring 28x1,2	80201333	1				
34	Grooved ball bearing 608	80410010	1				
35	Grooved pin 4x12	80200582	1				
36	Gearbox seal	82000503	1				
37	Gearbox housing	75613400	1				
38	Needle sleeve HK0810	80420110	1				
39	Grooved ball bearing 6001 2RS	80410032	1				
40	Intermediate shaft	75610500	1				
41	Intermediate wheel	75610510	1				
42	Working spindle	75710420	1				
43	Parallel key 5x5x12	80200601	1				
44	Grooved ball bearing 6203 2RS	80410130	1				
45	Retaining ring 17x1	80201323	1				
46	Spindle wheel	75610430	1				
47	Plug PG11	80900003	1				
49	Cover	82000040	1				
50	Notched pin 2x5	80200594	2				