



Spare part catalogue GSA
Listino ricambi GSA
Ersatzteil Liste GSA

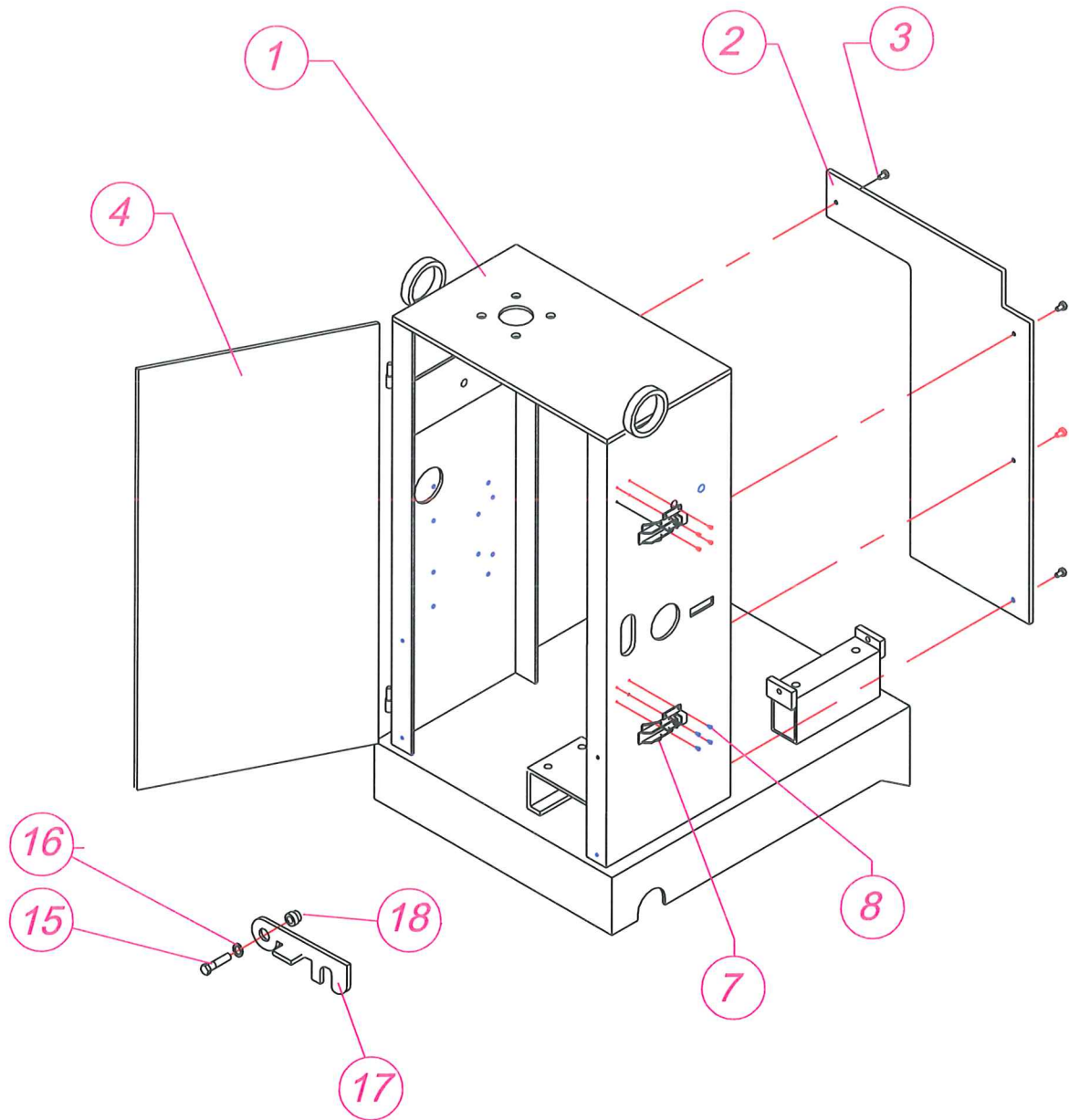


Electric Floor Saw GSA Semiautomatic

Mekanor AS
Hummelfjellveien 27
2550 Os I Østerdalen
Phone +47 62 20 20 60
E - mail: post@mekanor.no



Updated Jan 2014

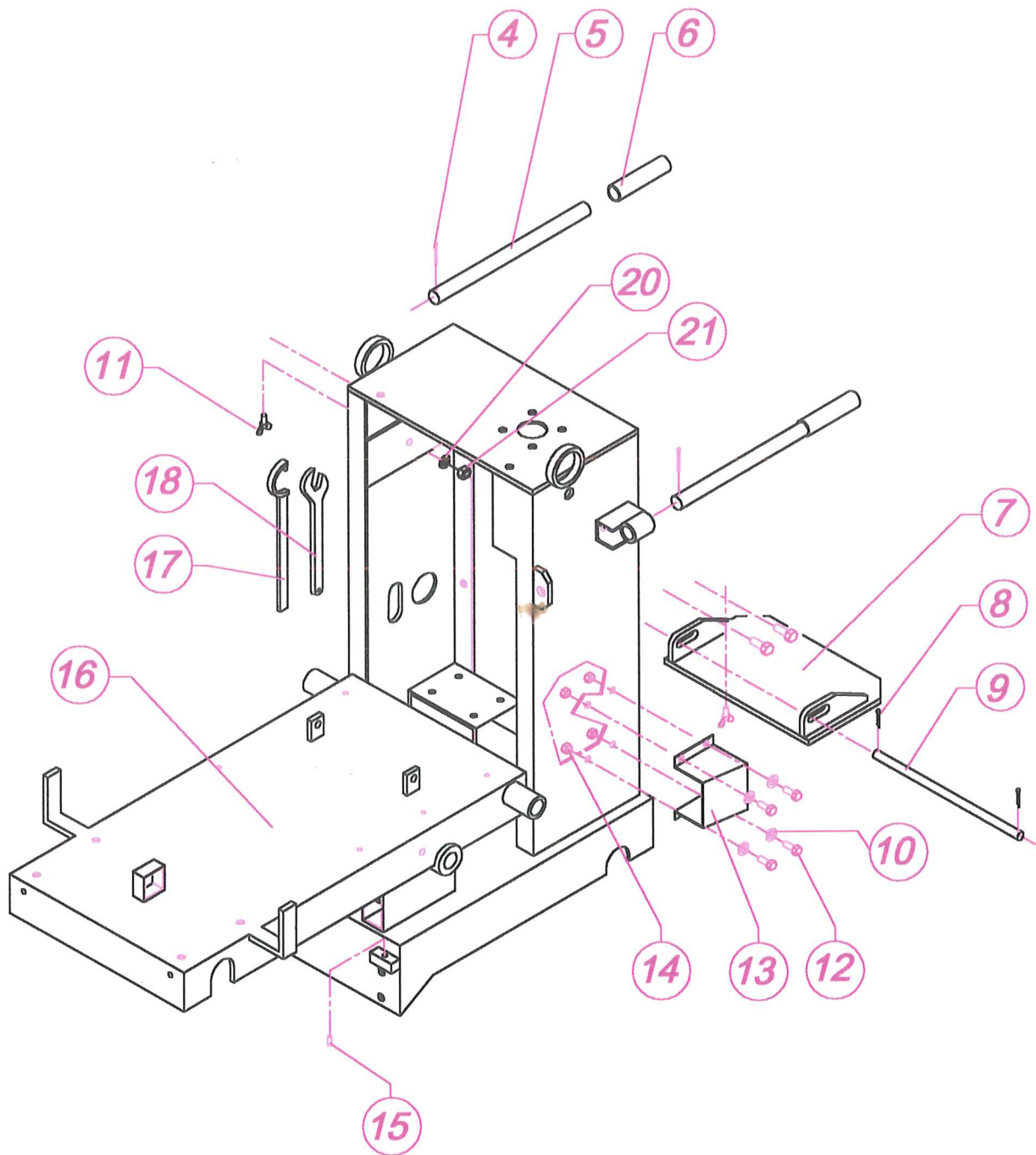




BASIC FRAME

GSA**115 009**

<i>Ref.no</i>	<i>Part.no</i>	<i>Description</i>	<i>Data</i>	<i>Qty</i>
1	115 409	Basic frame GSA		1
2	116 190	Front cover frame		1
3	850 002	Screw	M6 x 16	4
4	116 195	Door GSA frame		1
5	115 480	Rear cover frame GSA		1
6	850 002	Screw	M6 x 16	4
7	810 083	Guard lock		2
8	850 103	Pop rivet	4 x 8,5	8
9	850 022	Screw	M12 x 55	1
10	850 048	Washer	M12	1
15	850 150	Screw	M6x25	1
16	850 045	Spring washer	M6	1
17	116 070	Lock handle for variator		1
18	116 071	Screw SP	M6	1
<i>Ref.no</i>	<i>Part.no</i>	<i>Description</i>	<i>Data</i>	<i>Qty</i>
<i>Date:</i>	22.okt.13		115 009	



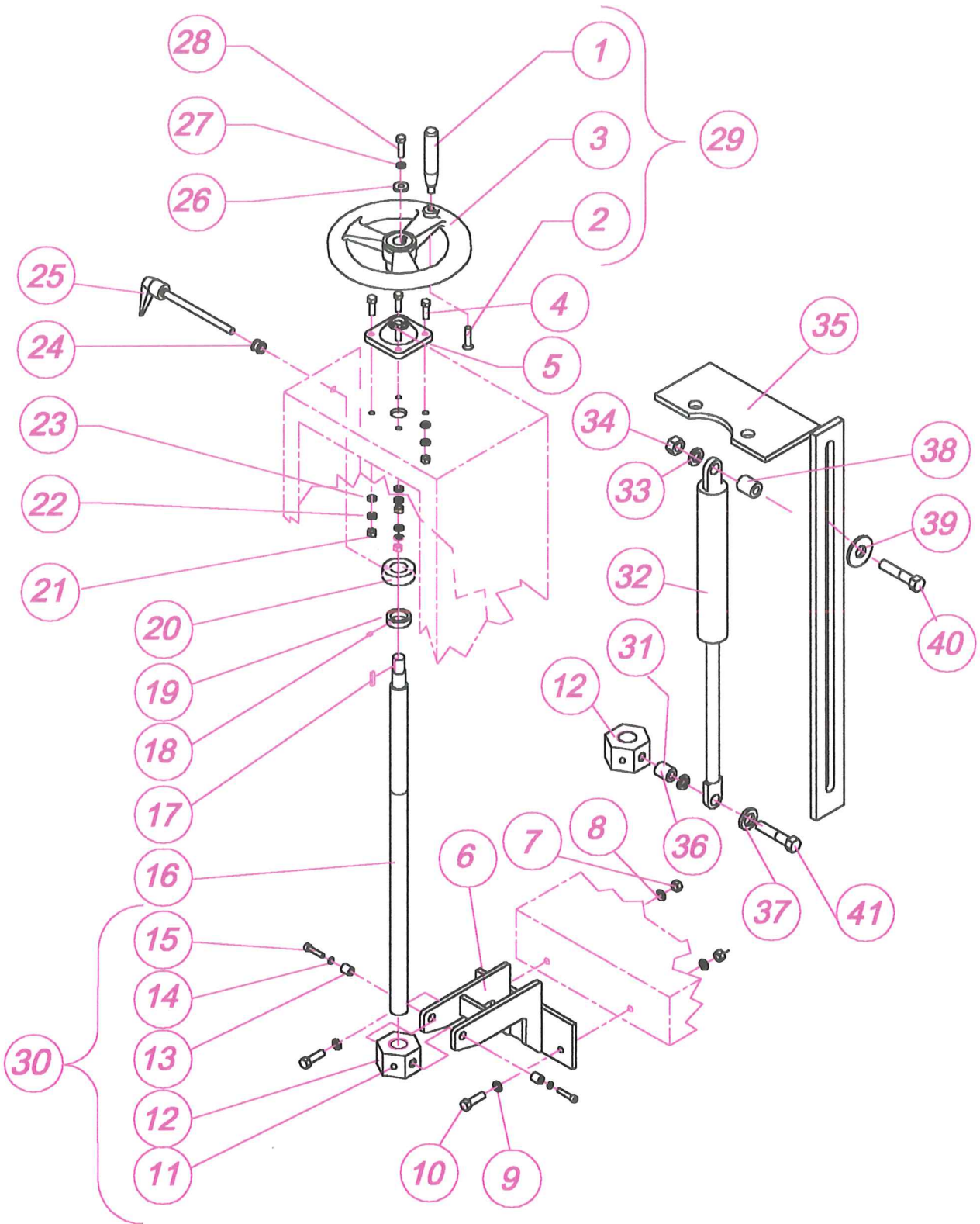


BASIC FRAME - 2

GSA

115 017

Ref.no	Part.no	Description	Data	Qty
1	850 011	Screw	M12 x 30	4
4	850 101	Split pin		
5	116 250	Extension steering handle	Ø25	2
6	810 001	Handel grip	Rubber	2
7	115 040	Step plate		
8	850 101	Split pin	4 x 32	2
9	115 041	Axle for step plate	Ø15	1
10	850 045	Washer	M6	4
11	850 027	Wing screw	M8 x 16	2
12	850 002	Screw	M6 x 16	4
13	115 481	Guard el connector	GSA	1
14	850 073	Nut	M6	4
15	850 035	Set screw hexagonal socket	M8 x 10	2
16	115 414	Movable frame GSA	GSA	1
16	116 184	Movable frame GSA model 2012	GSA	1
17	115 184	C wrench	Ø140	1
18	810 061	Wrench	36 m.m.	1
20	850 056	Spring washer	M12	4
21	850 076	Nut	M12	4
Ref.no	Part.no	Description	Data	Qty
Date:	25.11.2013	115 017	Vers:	2





Screw feeding system gas cylinder

GSA

115 432

Ref.no	Part.no	Description	Data	Qty
1	810 023	Handle		1
2	850 039	Srew hexagonale socket	M6 x 20	1
3	810 018	Screw feeding wheel		1
4	850 010	Screw	M10 x 30	4
5	810 019	Ball bearing	UCF 205	1
6	115 079	Srew feeding bracket		1
7	840 094	Locking nut	M12	2
8	850 048	Washer	N12	2
9	850 048	Washer	M12	2
10	850 019	Screw	M12 x 40	2
11	850 106	Grease nippel	1/8" R	1
12	115 080	Screw feeding nut		1
13	115 758	Distance sleeve		2
14	850 054	Spring washer	M8 x 30	2
15	850 040	Screw hexagonale socket	M6 x 8	1
16	115 081	Screw feeding spindle		1
17	115 085	Key	6x6x25	1
18	850 031	Set screw hexagonale socket	M6x8	1
19	115 084	Locking ring		1
20	115 083	Stop ring		1
21	850 075	Nut	M10	4
22	850 055	Spring washer	M10	4
23	850 047	Washer	M10	4
24	810 021	Rubber seal	13x21x26	1
25	115 811	Locking brass screw with handle		1
26	850 108	Washer	M10x30x4	1
27	850 055	Spring washer	M10	1
28	850 011	Screw	M10x35	1
29	311 104 00	Screw feeding wheel complete		1
30	311 107 00	Screw feeding nut complete		1
31	115 758	Distance sleeve		1
32	810 338	Gas cylinder 1000N -high preusre	Not open	1
33	850 046	Washer	M8	5
34	850 074	Nut	M8	1
35	115 969	Extension for gas cylinder - bracket		1
36	115 758	Distance sleeve		1
37	850 046	Washer	M8 x 20	1
38	115 758	Distansce sleeve		1
39	850 046	Washer	M8 x 20	1
40	850 008	Screw	M8x50	1
41	850 008	Srew	M8x50	1
Ref.no	Part.no	Description	Data	Qty
Date:	13.okt.11	115 432		

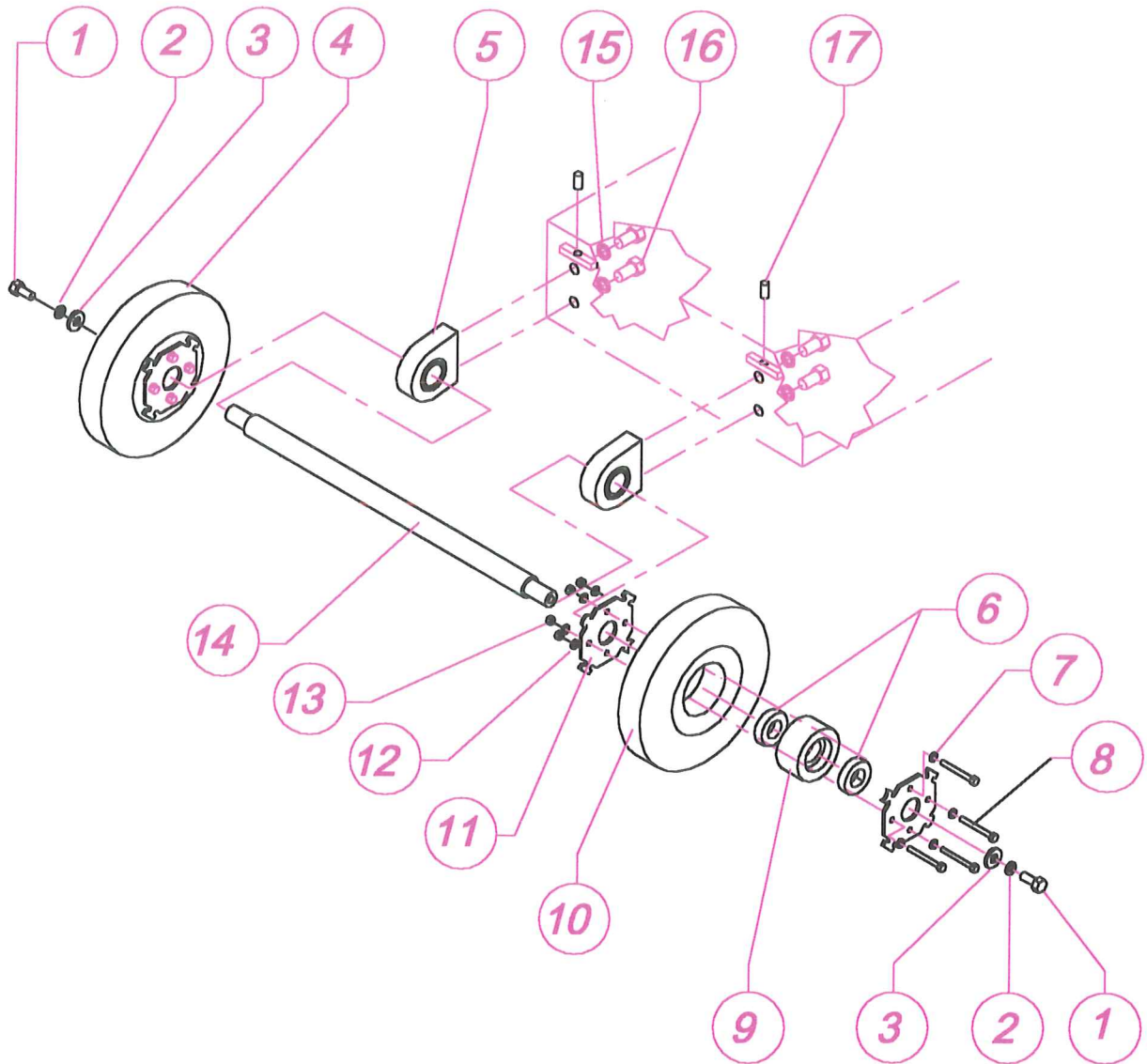


Blade shaft complete

GSA

115 429

Ref.no	Part.no	Description	Data	Qty
29	311 193 00	Blade shaft complete GSA Ø140 (132)	L=735	
1	116 165	Blade flange left thread right side	Ø140	1
2	850 056	Spring washer	M12	4
3	850 076	Set screw, hexagonale socket	M12	2
4	850 041	Set screw hexagonale socket	M8X12	1
5	115 180	Key	12X8X70	1
6	115 085	Key	6X6X25	1
7	810 308	V belt (standard/Ø132)	XPA 1142 LW	4
7	810 060	V belt Ø160 - (LS)	XPA 1207 Lw	4
8	850 041	Set screw hexagonale socket	M8X12	1
9	115 856	Inner blade flange	Ø140	2
10	116 196	Blade flange right thread left side	Ø140	1
11	850 060	Screw hexagonale socket, counters	M6X20	2
12	115 090	Distance washer (arbor)	Ø60/25,4	1
13	810 125	Pulley for taperboss	SPA 160x4	1
	810 059	Pulley for taperboss	SPA 132x4	1
14	850 023	Screw	M12x60	1
15	850 021	Screw	M12x50	2
16	850 048	Washer	M12	4
17	810 058	Ball bearing	UCP 208	2
18	115 458	Blade shaft	Ø40x735	1
18	116 050	Blade shaft (from 1 sept 2012)	Ø40x798	1
19	115 085	Key	6x6x25	1
20	115 090	Distance washer (arbor) 115 853	Ø60/25,4	1
21	850 060	Screw hexagonale socket, counters	M6x20	2
22	850 041	Screw hexagonale socket	M8x12	1
23	850 041	Screw hexagonale socket	M8x12	1
24	810 012	ES link	M12x24	2
25	810 011	ES pin	M12	2
26	850 021	Screw	M12x50	1
27	116 204	Hexagon wrench		1
28	850 102	Slotter spring pin	Ø8x26	1
Ref.no	Part.no	Description	Data	Qty
Date:	12.sep.12	115 429	Vers:	1





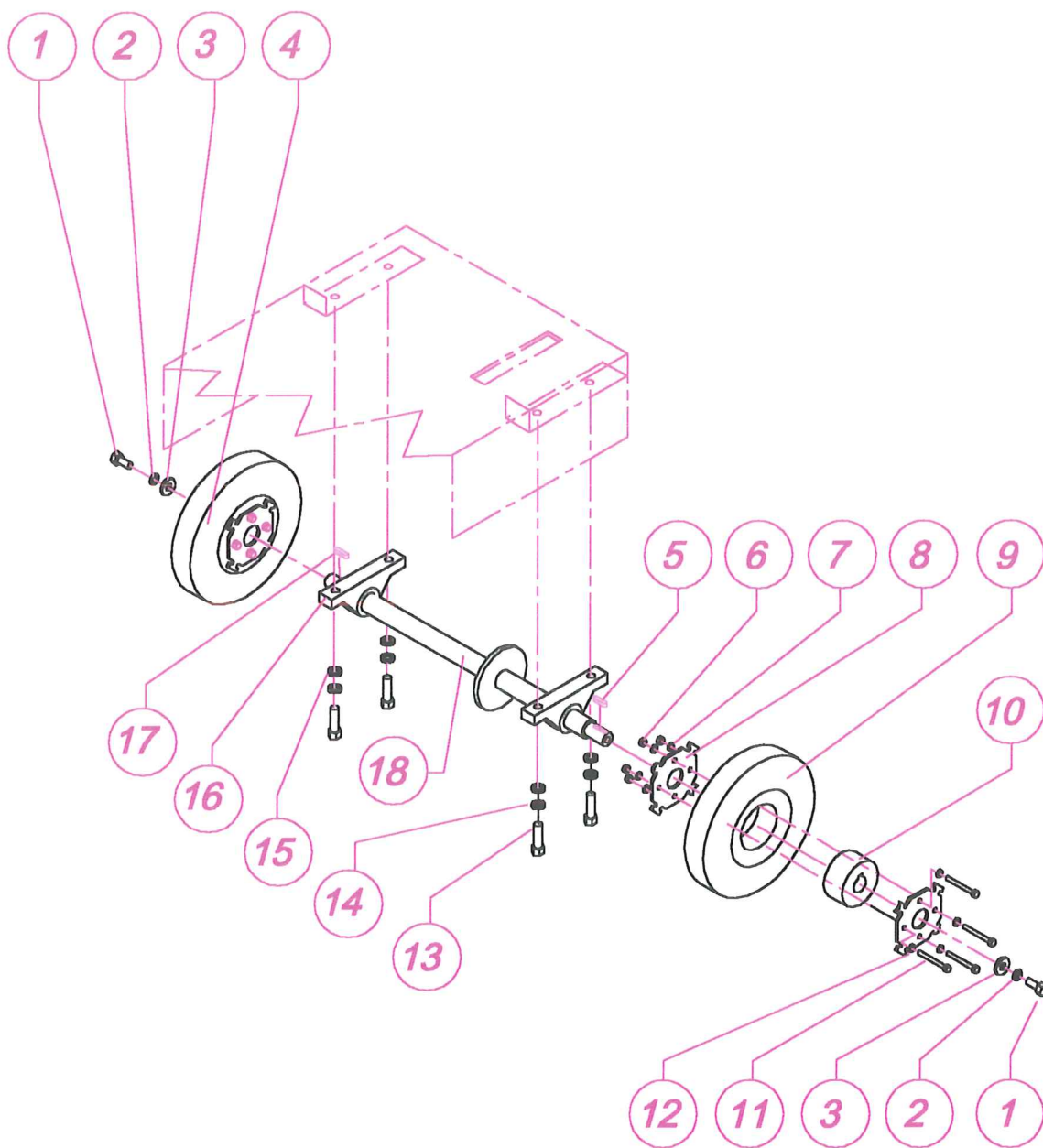
FRONT WHEEL ASSEMBLY

GSA**115 430**

Ref.no	Part.no	Description	Data	Qty
1	850 009	Screw	M10x25	2
2	850 055	Spring washer	M10x25	2
3	850 108	Washer	M10x30x4	2
4	311 105 00	Front wheel complete		2
5	810 052	Ball bearing	UCP206	2
6	810 032	Ball bearing	6005 2RS	4
8	850 004	Screw	M6x55	8
9	115 091	Front wheel hub		2
10	810 033	Rubber tire		2
11	115 093	Wheel rim		4
12	850 045	Washer	M6	8
13	850 073	Nut	M6	8
14	115 459	Front wheel axle - shaft	Ø30x60	1
15	850 057	Spring washer	M14	4
16	850 026	Screw	M14x25	4
17	850 035	Set screw hexagonale socket	M8x10	2
	311 114 00	Front wheel assembly complete	L610	1
Ref.no	Part.no	Description	Data	Qty
Date:	01.jul.11	115 430		

REAR WHEEL ASSEMBLY

GSA



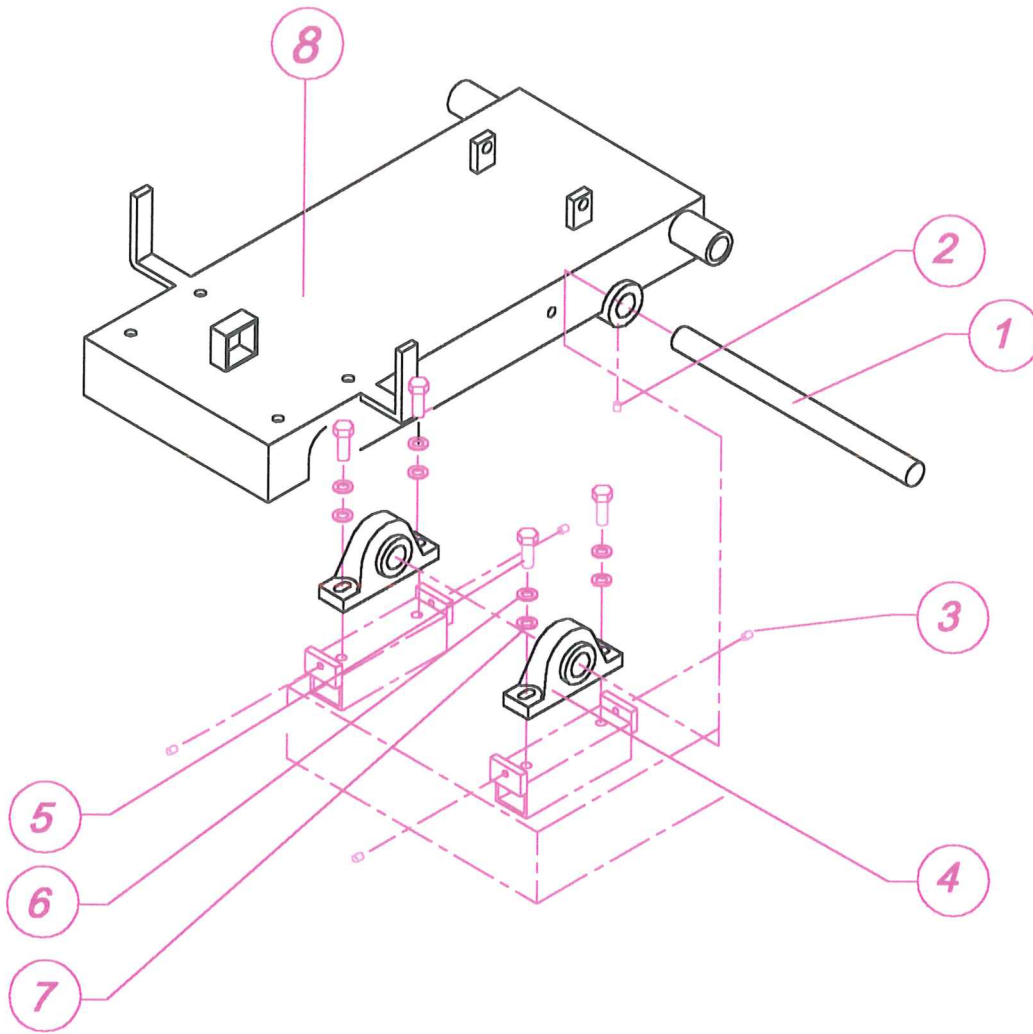


Rear wheel assembly

GSA

115 431

Ref.no	Part.no	Description	Data	Qty
1	850 009	Screw	M10x25	2
2	850 055	Spring washer	M10x25	2
3	850 108	Washer	M10x30x4	2
4	311 110 00	Rear wheel complete		2
5	115 085	Key	6x6x25	1
6	850 073	Nut	M6	8
7	850 045	Washer	M6	8
8	115 093	Wheel rim		4
9	810 033	Rubber tire		2
10	115 354	Rear whhel hub		2
11	850 004	Screw	M6x55	8
13	850 018	Screw	M12x35	4
14	850 056	Spring washer	M12	2
15	850 048	Washer	M12	4
16	810 031	Ball bearing	UCP 206	2
17	115 085	Key	6x6x25	1
18	115 460	Rear wheel axle - shaft	Ø30x610	1
	311 118 00	Rear wheel assembly complete 610		
Ref.no	Part.no	Description	Data	Qty
Date:	01.jul.11	115 431		



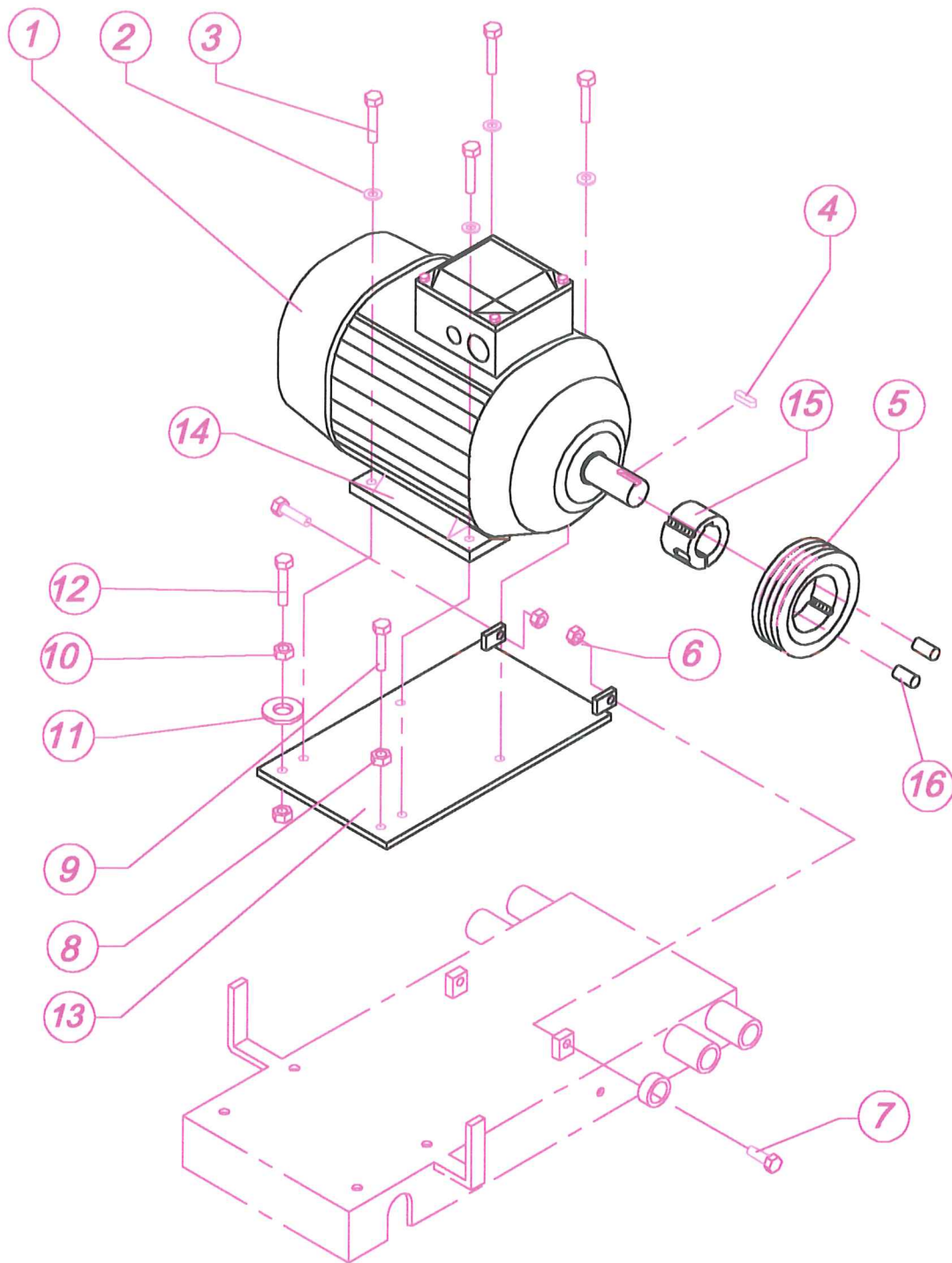


Frame connection

GSA

115 462

<i>Ref.no</i>	<i>Part.no</i>	<i>Description</i>	<i>Data</i>	<i>Qty</i>
1	115 463	Shaft movable frame	Ø30x440	1
2	850 035	Set screw hexagonale socket	M8x10	2
3	850 035	Set screw hexagonale socket	M8x10	4
4	810 031	Ball bearing	UCP 206	2
5	850 018	Screw	M12x35	4
6	850 056	Spring washer	M12x35	4
7	850 048	Washer	M12	4
8	115 414	Movable frame	GSA	1
<i>Ref.no</i>	<i>Part.no</i>	<i>Description</i>	<i>Data</i>	<i>Qty</i>
<i>Date:</i>	01.jul.11	115 462		



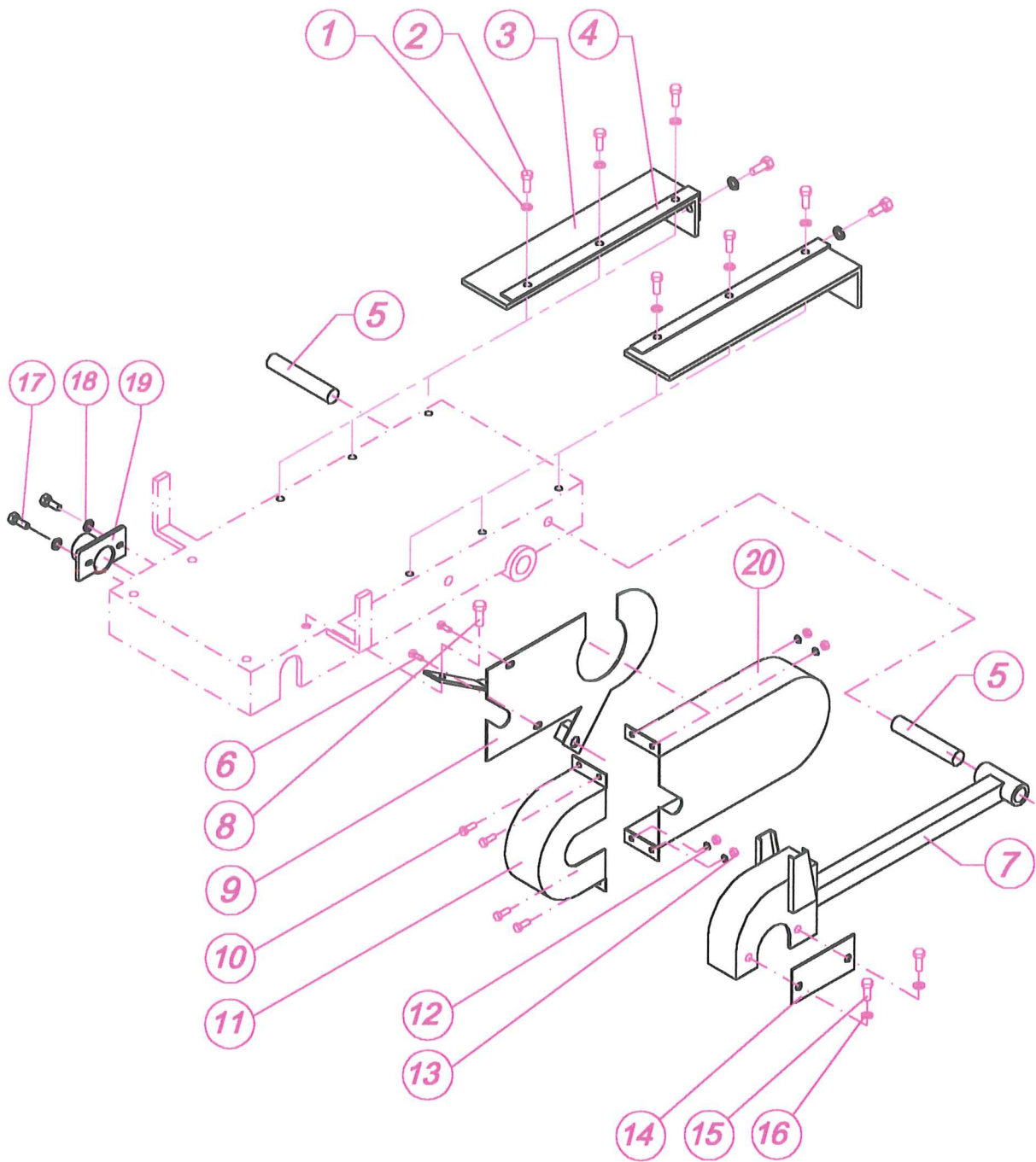


Motor connection

GSA

115 473

Ref.no	Part.no	Description	Data	Qty
1		Motor see oage for electric system		
2	850 056	Spring washer	M12	4
3	850 017	Screw	M12x30	4
4	810 051	Key	12x10x40	1
5	810 128	Pulley	SPA 106x4	1
6	850 076	Nut	M12	2
7	850 017	Screw	M12x30	2
8	850 077	Nut	M14	1
9	850 037	Screw	M14x70	1
10	850 076	Nut	M12	1
11	115 805	Washer	Ø13x30x4	1
12	850 024	Screw	M12x70	1
13	115 362	Motor connection plate	GSA - GXL	1
14	311 149 00	Moter brackett for 11-18-18,5 KW Contact fabric diff spec		1
Ref.no	Part.no	Description	Data	Qty
Date:	01.jul.11	115 473		





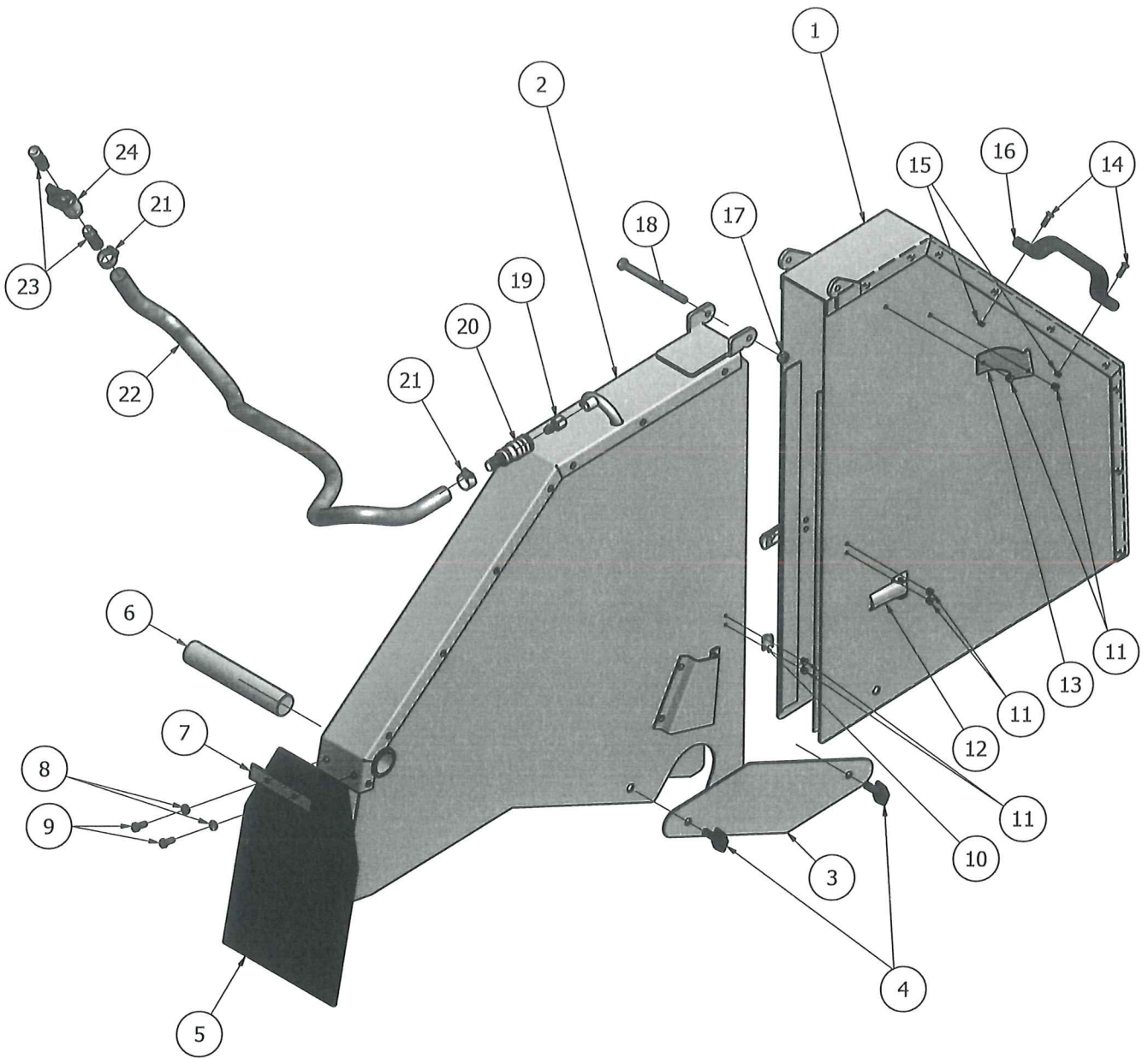
Cover Assembly

GSA**116 069**

Ref.no	Part.no	Description	Data	Qty
1	850 053	Spring washer	M6	8
2	850 002	Screw	M6x16	8
3	115 161	Rubber splash		2
4	115 162	Bracket for rubber splash		2
5	116 091	Shaft	Ø30	2
6	850 031	Set screw	M6x8	1
7	115 756	Blade shaft cover		1
8	850 007	Screw	M8x30	1
9	115 851	Cover plate V belt protection.		1
10	850 002	Screw	M6x16	4
11	115 826	Rear V - belt cover		1
12	850 053	Spring washer	M6	4
13	850 073	Nut	M6	4
14	115 841	Cover protection plate		1
15	850 151	Screw	M6x8	2
16	850 073	Nut	M6	2
17	850 002	Screw	M6x16	2
18	850 054	Spring washer	M8	2
19	115 769	Blade shaft protection		1
20	115 852	Upper V-belt cover		1
Ref.no	Part.no	Description	Data	Qty
Date:	25.okt.11	116 069		

Blade guard Ø1000

311 221 00



Date	Description	Version
06.01.2012		

**Blade Guard complete Ø1000**

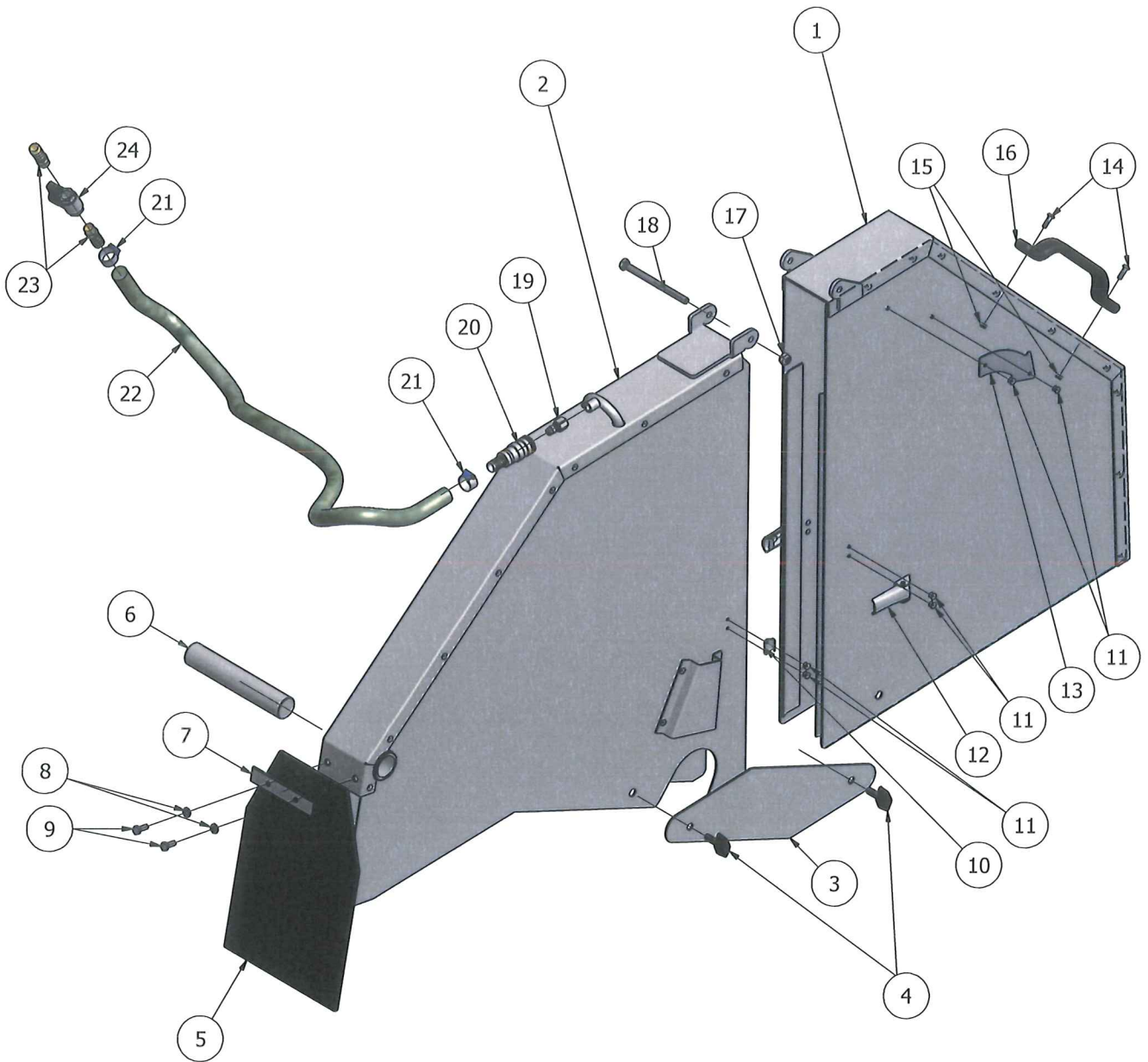
GS15 - GSA - GXL

311 221 00

Ref.no	Part.no	Description	Data	Qty
1	116 073	Rear blade guard	Ø1200	1
2	116 072	Front blade guard	Ø1200	1
3	116 076	Protection for blade guard		1
4	810 541	Wing screw	M8	2
5	115 057	Rubber guard		1
6	115 163	Connection pin blade guard	Ø30	1
7	115 097	Bracket		1
8	850 045	Spring washer	M6	2
9	850 002	Screw	M6x16	2
10	850 148	Eksenter lock bend		2
11	850 103	Pop nut	4,8x10	12
12	850 147	Eksenter lock		2
13	116 120	Rotation arrow		2
14	850 143	Screw	M5x12	2
15	850 090	Locking nut	M5	2
16	850 149	Handle		1
17	850 092	Nuts	M8	1
18	850 141	Screw	M8x110	1
19	850 145	Water coupling	CEJN 320	1
20	810 538	Hose connection	CEJN 320	1
21	810 572	Hose clamp	1/2"	2
22	810 044	Hose	1/2"	1
23	810 539	Hose connector	1/2"	2
24	810 540	Water tap	1/2"	1
Ref.no	Part.no	Description	Data	Qty
Date:	06.jan.12		Version:	

Blade guard Ø1200

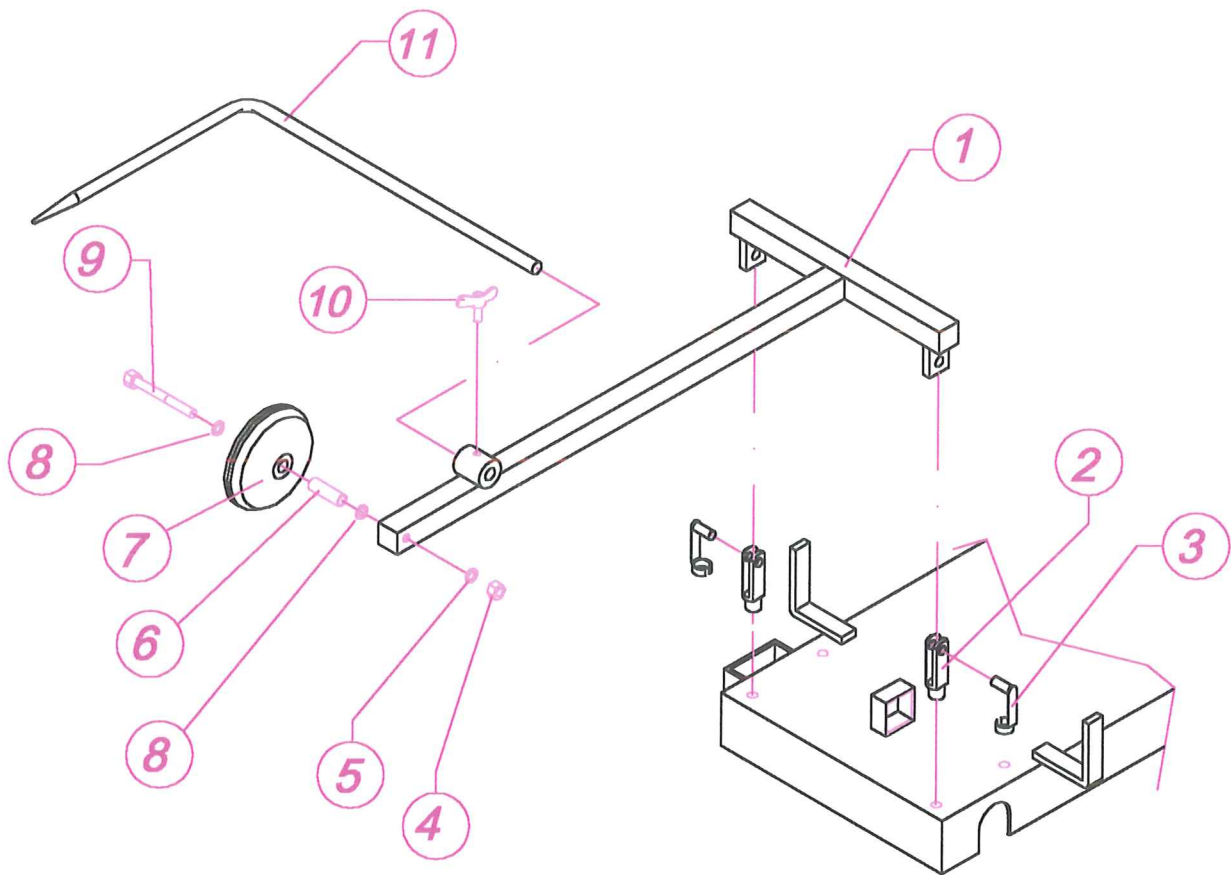
311 222 00



Date	Description	Version
06.01.2012		

**Blade Guard complete Ø1200****GSA - GXL****311 222 00**

Ref.no	Part.no	Description	Data	Qty
1	116 075	Rear blade guard	Ø1200	1
2	116 074	Front blade guard	Ø1200	1
3	116 076	Protection for blade guard		1
4	810 541	Wing screw	M8	2
5	115 057	Rubber guard		1
6	115 163	Connection pin blade guard	Ø30	1
7	115 097	Bracket		1
8	850 045	Spring washer	M6	2
9	850 002	Screw	M6x16	2
10	850 148	Eksenter lock bend		2
11	850 103	Pop nut	4,8x10	12
12	850 147	Eksenter lock		2
13	116 120	Rotation arrow		2
14	850 143	Screw	M5x12	2
15	850 090	Locking nut	M5	2
16	850 149	Handle		1
17	850 092	Nuts	M8	1
18	850 141	Screw	M8x110	1
19	850 145	Water coupling	CEJN 320	1
20	810 538	Hose connection	CEJN 320	1
21	810 572	Hose clamp	1/2"	2
22	810 044	Hose	1/2"	1
23	810 539	Hose connector	1/2"	2
24	810 540	Water tap	1/2"	1
Ref.no	Part.no	Description	Data	Qty
Date:	06.jan.12		Version:	

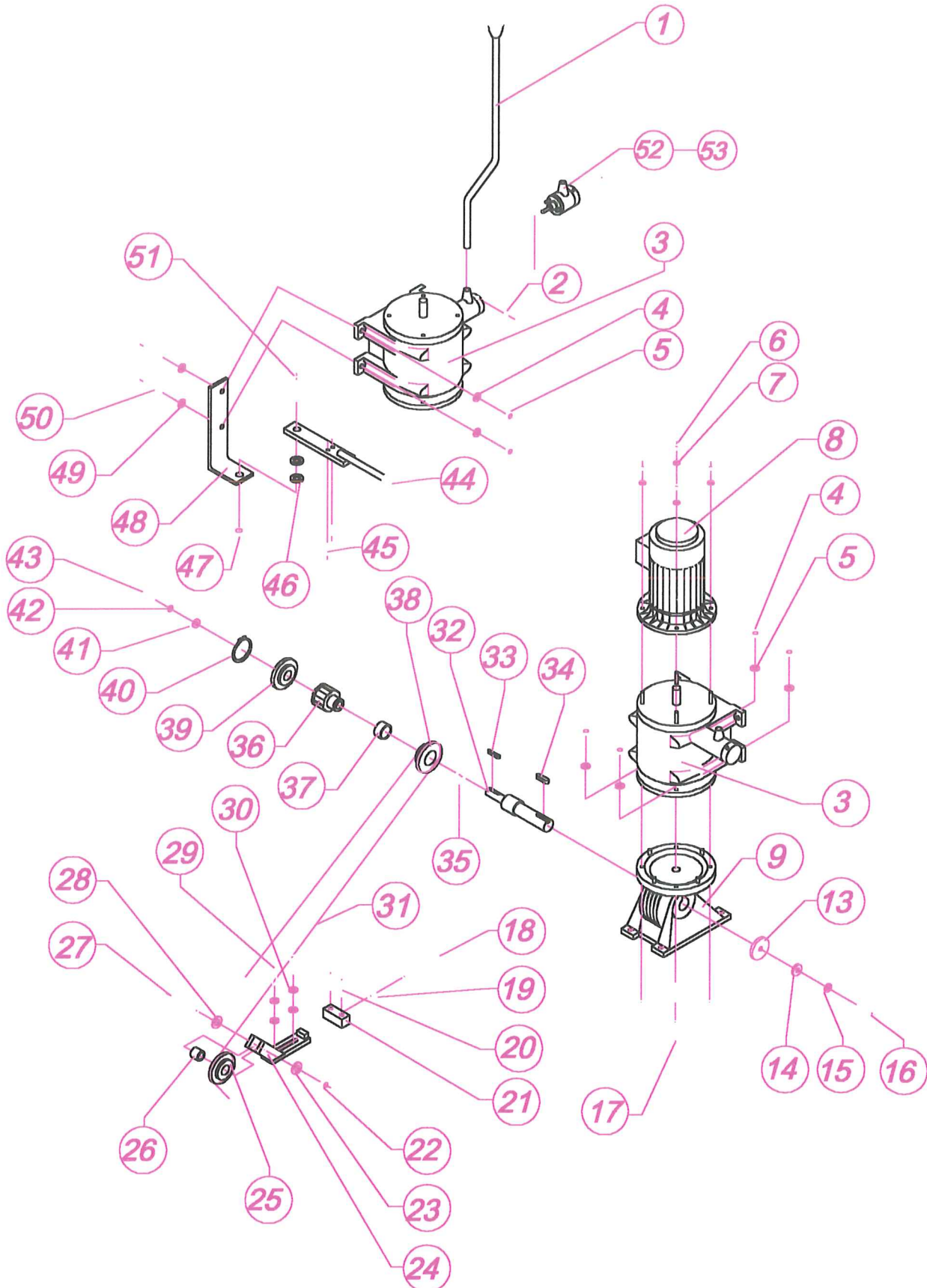




Sawing guide

GSA**115 476**

Ref.no	Part.no	Description	Data	Qty
1	115 477	Pointer front weldment		1
2	810 012	ES link	M12x24	2
3	810 011	ES pin	M12x24	2
4	850 075	Nut	M10	1
5	850 055	Spring washer	M10	1
6	810 014	Slive	Ø15x11x40	1
7	810 010	Wheel for sawing guide	Ø125	1
8	850 047	Washer	M10	2
9	850 014	Screw	M10x90	1
10	850 084	Wing screw	M8	1
11	115 063	Pointer	Ø12	1
Ref.no	Part.no	Description	Data	Qty
Date:	01.jul.11	115 476		



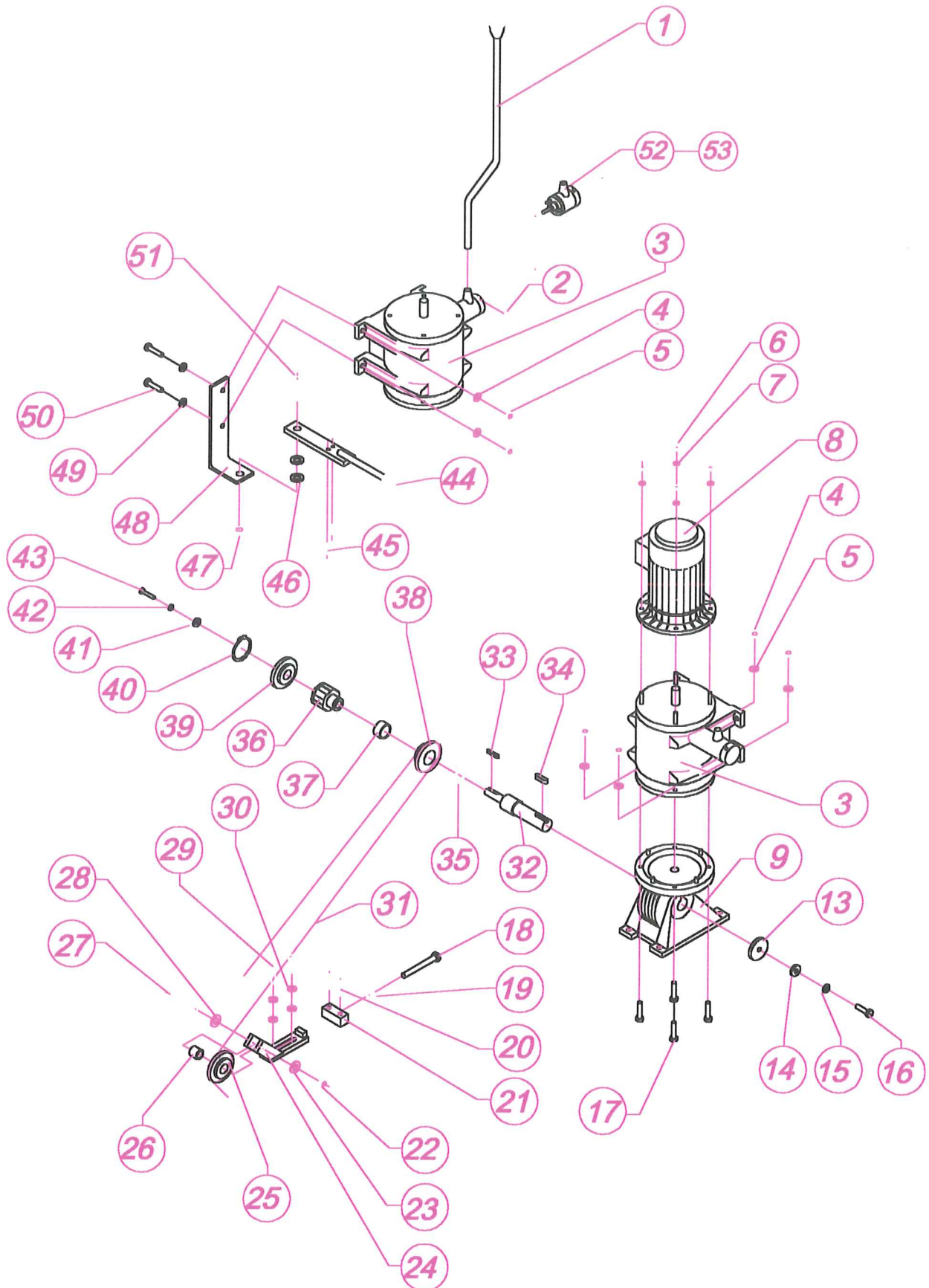


Automatic Drive assembly

GSA - GXL

115 341

Ref.no	Part.no	Description	Data	Qty
1	311 160 00	Lever stick handle		1
2	850 076	Nut	M12	1
3	810 087	Hydrostatic speed variator (up to 2012)	A2	1
3	810 573	Hydrostatic speed variator (from 2012)	K2	1
4	850 046	Washer	M8	2
5	850 074	Nut	M8	2
6	850 073	Nut	M6	4
7	850 045	Washer	M6	4
8	810 088	Motor	MEZ	1
9	810 089	Helicoil gir		1
10	810 209	Ball'		2
13	850 110	Washer	Ø8,4x30	1
14	850 054	Spring washer	M8	1
16	850 005	Screw	M8x20	1
17	850 007	Screw	M8x30	4
18	850 008	Screw	M8x60	1
20	850 114	Unbracko screw	M6x30	2
21	115 379	Bracket for adjusting screw		1
24	115 380	Bracket for chain adjustment		1
25	810 090	Sprocket wheel (STRA-S38/21Z/16mm)		1
26	810 091	Slive	Ø15	1
27	850 013	Screw	M10x45	1
28	850 055	Spring washer	M10	1
29	850 006	Screw	M8x25	2
30	850 054	Sprong washer	M8	1
31	311 159 00	Chain complete with lock L800	3/8" ISO	1
32	115 943	Shaft for transmission gir		1
33	810 093	Key	5x5x30	1
Ref.no	Part.no	Description	Data	Qty
Date:	27.des.11	115341 - 1		





Automatic Drive assembly

GSA - GXL

115 341

Ref.no	Part.no	Description	Data	Qty
34	810 094	Key	8x8x35	1
35	810 208	Circlipe	Ø25x1.2	1
36	115 692	Gear hub		1
37	810 096	Slive		1
38	115 654	Inner sprocket wheel		1
39	115 653	Outher gir connection		1
40	810 099	Circlipe	Ø44x1.75	1
41	850 122	Washer	M6x20x1,5	1
42	850 053	Sprong washer	M6	1
43	850 003	Screw	M6x20	1
44	116 155	Gear handle		1
45	810 100	Spli pin	Ø6X25	2
46	850 048	Washer	M12	1
47	850 094	Locking nut	M12	1
48	115 381	Bracket for gear handle		1
49	850 046	Washer	M8	2
50	850 007	Screw	M8x30	2
51	850 018	Screw	M12x35	1
52	810 156	Lever control unit VAR-SPE 11 A2/002/1		
53	810 155	Lever control unit VAR SPE 11.11/0022/1		
54		Lever control unit VAR SPE (year 2011)		1
Ref.no	Part.no	Description	Data	Qty
Date:	01.07.2011	115341 - 2	Version:	



Quality and performance - the blue line.

MEKANOR

Hummelfjellveien 27
2550 Os I Østerdalen
Telephone +47 62 20 20 60
E mail: post@mekanor.no

