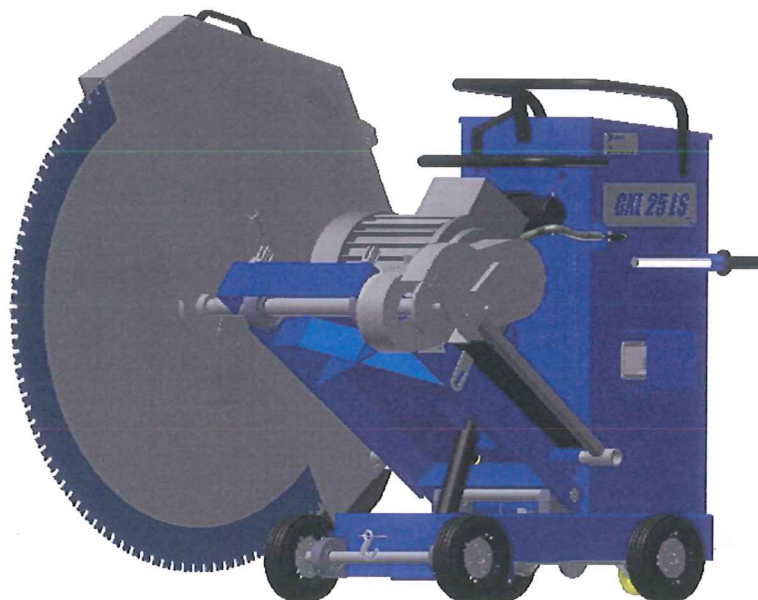




**Reservedeler katalog GXL**  
**Spare part catalogue GXL**  
**Listino ricambi GXL**  
**Ersatzteil Liste GXL**



## **Electric Floor Saw GXL 2<sup>nd</sup> Edition**

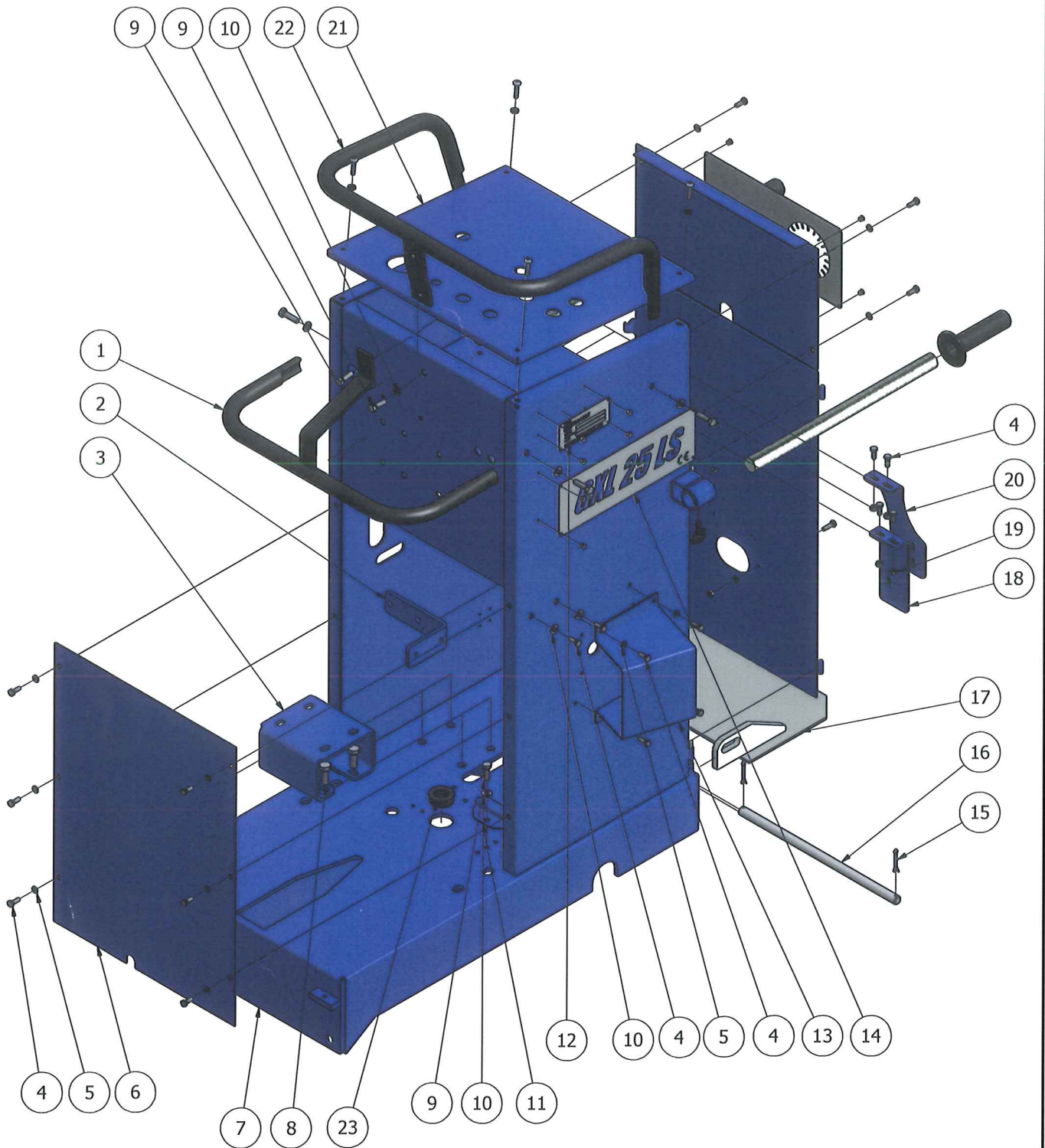
**Mekanor AS**  
**Hummelfjellveien 27**  
**2550 Os I Østerdalen**  
**Phone +47 62 20 20 60**  
**E mail: [post@mekanor.no](mailto:post@mekanor.no)**

Version 1-2012



# Basic Frame 1

# GXL



Date	Description	Version
09.01.2012	116 139	



## Basic Frame 1

**GXL**

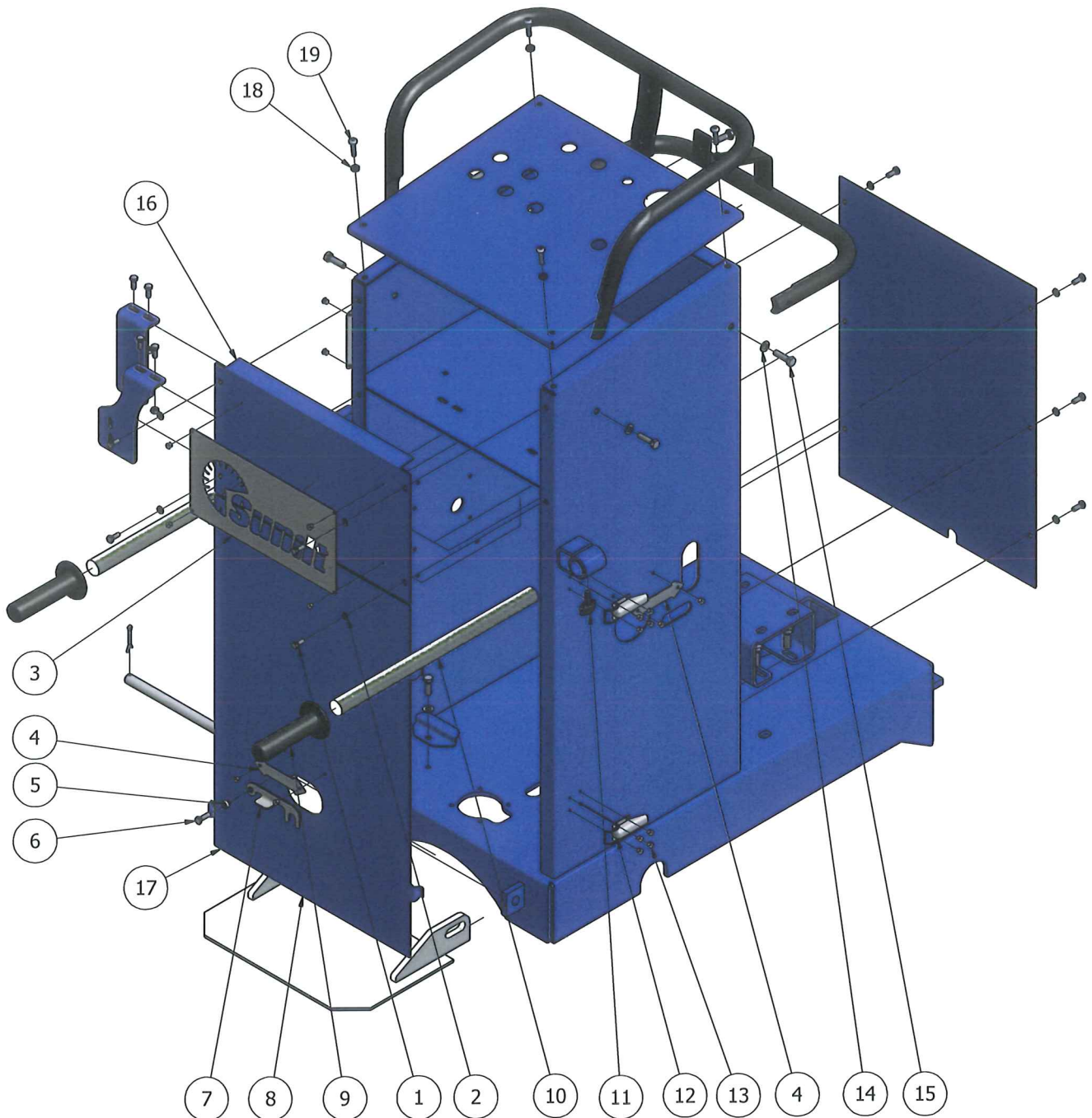
**116 139**

<i>Ref.no</i>	<i>Part.no</i>	<i>Description</i>	<i>Data</i>	<i>Qty</i>
1	115 884	Winchguard		1
2	116 121	The hydraulic pump mount		1
3	115 577	Variator bracket		1
4	850 034	Screw	M6x16	16
5	850 053	Spring washer	M6	10
6	116 154	Front cover		1
7	116 152	Basic frame	GXL	1
8	850 010	Screw	M10x30	8
9	850 006	Screw	M8x25	4
10	850 046	Washer	M8	9
11	116 129	Battery clamp		2
12	116 142	Product Nameplate		1
13	115 481	Guard el connector		1
14	116 133	Machine's name plate		1
15	850 101	Split pin	4x32	2
16	115 041	Pin		1
17	115 040	Stepplate		1
18	116 131	Hyd ventilfeste		1
19	850 091	Lokcing nut	M6	5
20	116 130	Hyd ventilfeste		1
21	116 141	Top cover for control buttons		1
22	115 368	Protection handel		1
23	810 587	Universal bushes		1
<i>Ref.no</i>	<i>Part.no</i>	<i>Description</i>	<i>Data</i>	<i>Qty</i>
<i>Date:</i>	09.jan.12		<i>Version:</i>	



# Basic Frame 2

# GXL



Date	Description	Version
06.01.2012	116 140	





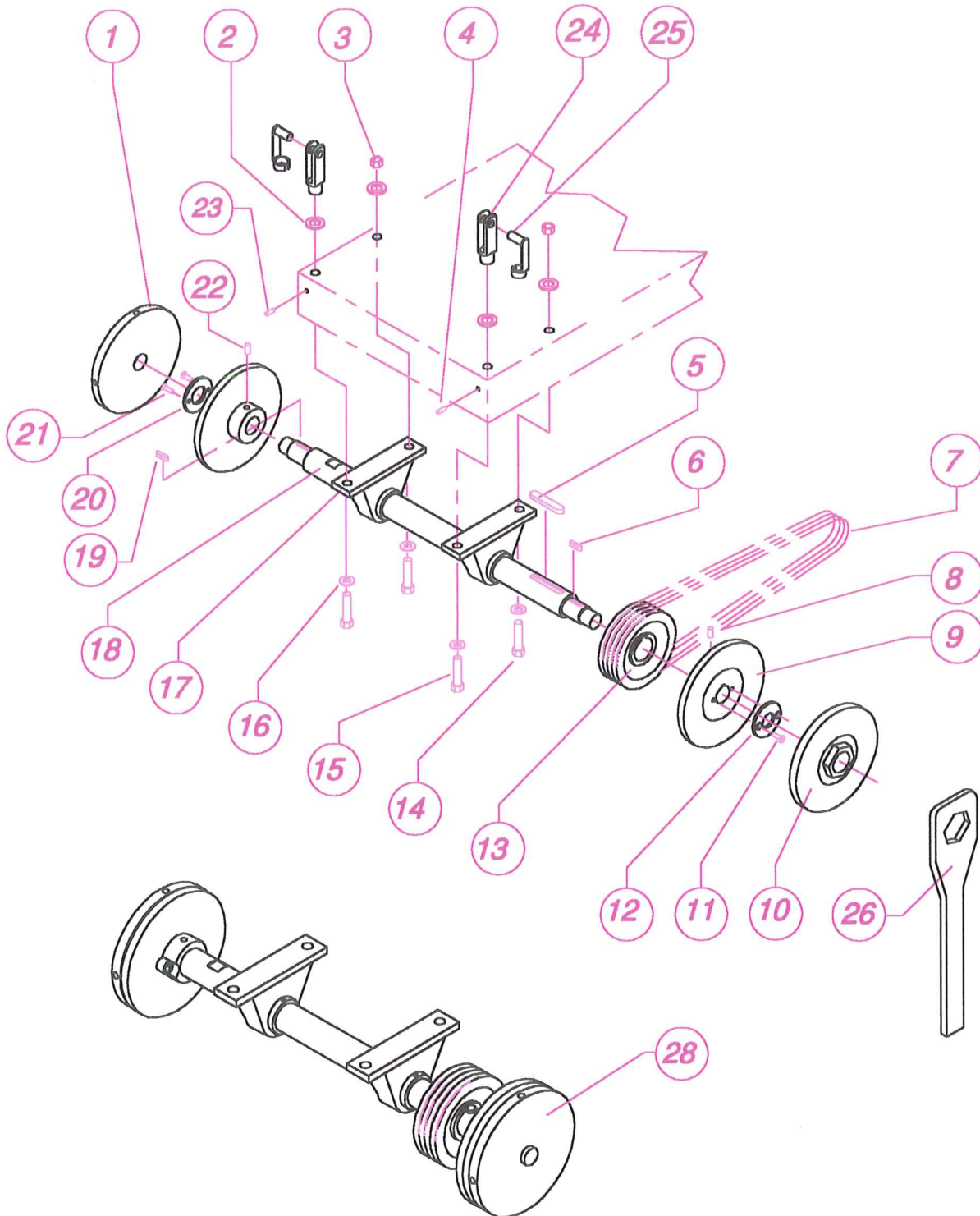
## Basic Frame 2

**GXL****116 140**

<b>Ref.no</b>	<b>Part.no</b>	<b>Description</b>	<b>Data</b>	<b>Qty</b>
1	850 034	Screw	M6x16	8
2	850 170	Spring washer	M6	8
3	116 054	Sundt logo		1
4	116 135	Direction arrow		2
5	116 071	Distance washer		1
6	850 003	Screw	M6x20	1
7	116 066	Lock handel for variator		1
8	810 001	Handel grip		2
10	116 250	Extension steering handle		2
11	810 541	Wing screw	M8x20	2
12	810 083	Guard lock		2
13	850 103	Pop rivet	Ø4x8,5	24
14	850 046	Washer	M8	9
15	850 007	Screw	M8x30	4
16	116 153	Upper rear cover		1
17	116 104	Door		1
18	850 170	Finishing Washer	M6	4
19	850 171	Screw	M6x25	4
<b>Ref.no</b>	<b>Part.no</b>	<b>Description</b>	<b>Data</b>	<b>Qty</b>
<b>Date:</b>	<b>25.nov.13</b>		<b>Version:</b>	<b>1</b>

# BLADE SHAFT

GXL





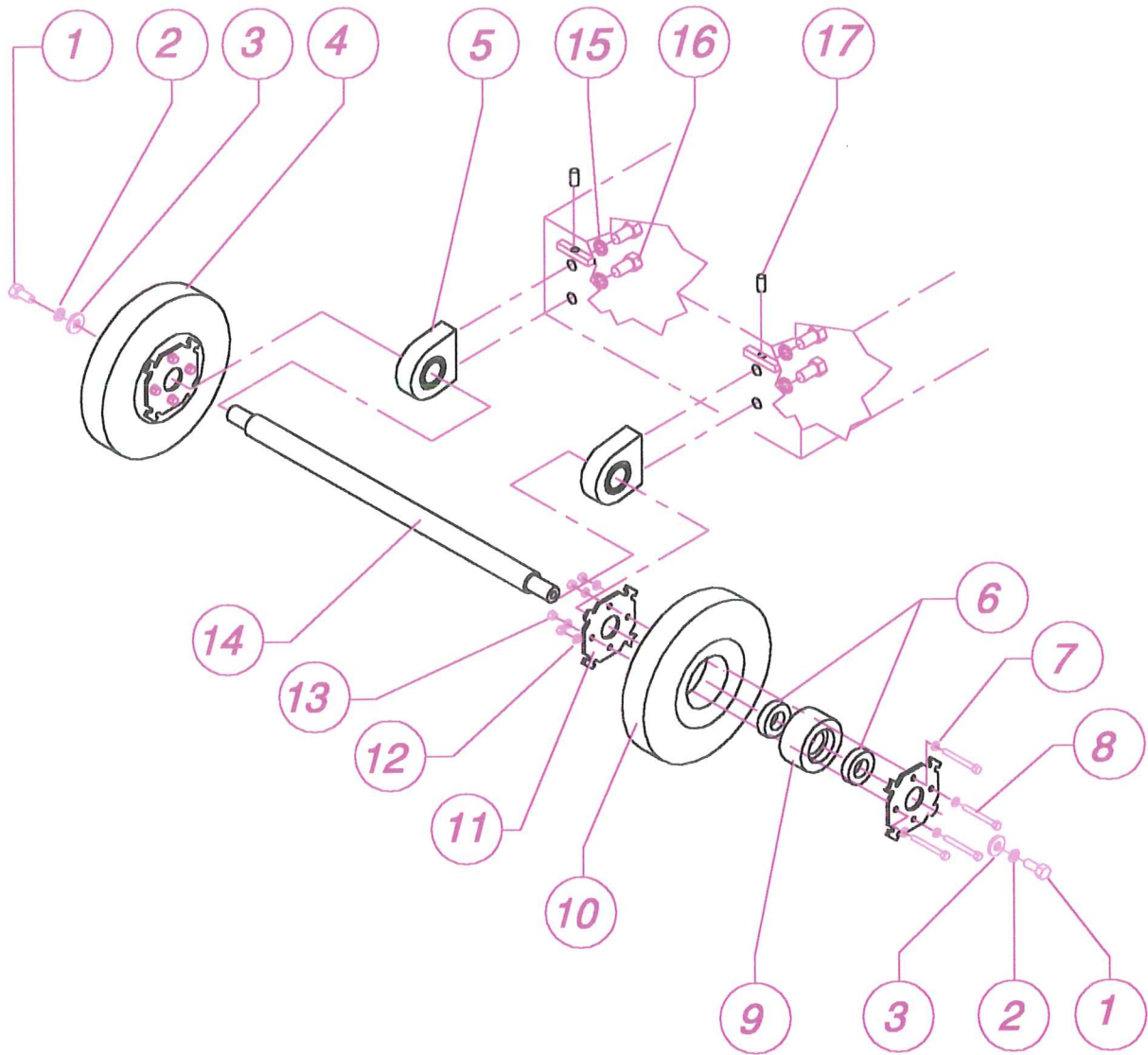
## Blade Shaft

**GXL**

**115 346**

Ref.no	Part.no	Description	Data	Qty
28	311 125 00	Blade shaft complete Ø140	L 768	1
28	311 124 00	Blade shaft complete Ø180	L 768	1
1	116 165	Blade flange Left Thread right side	Ø140	1
2	850 056	Spring washer	M12	4
3	850 076	Nut	M12	2
4	850 041	Set screw	M8x12	1
5	115 189	Key	12x8x70	1
6	115 085	Key	6x6x25	1
7	810 085	V belt GXL standard	XPA 1060Lw	4
7	810 590	V belt for LS model	XPA1090Lw	4
8	850 041	Set screw	M8x12	1
9	115 856	Inner blade flange	Ø140	2
10	116 196	Blade flange, right tread Left side	Ø140	1
11	850 060	Screw hexagon socket, countersun	M6x20	2
12	115 090	Distance washer	Ø60/25,4	1
13	810 059	Pulley for taperboss Ø132	SPA132x40x4	1
13	810 125	Pulley for taperboss Ø160	SPA160x44x4	1
14	850 022	Screw	M12x55	1
15	850 021	Screw	M12x50	1
16	850 048	Washer	M12x50	4
17	810 058	Ball bearing	UCP 208	2
18	115 343	Blade shaft 768	Ø40x768	1
18	116 050	Blade shaft 798	Ø40x798	1
19	115 085	Key	6x6x25	1
20	115 090	Distance washer	Ø60/Ø25,4	1
21	850 060	Screw hexagon socket countersun	M6x20	2
22	850 041	Set screw	M8x12	1
23	850 041	Set screw	M8x12	1
24	810 012	ES link	M12x24	2
25	810 011	ES pin	M12x24	2
26	116 204	Hexagon wrench	Ø140	1
27	850 102	Slotter spring pin	Ø8x26	1
Ref.no	Part.no	Description	Data	Qty
Date:	12.sep.12	115 346	Version:	2







**Sundt**  
of Norway

# Front wheel assembly

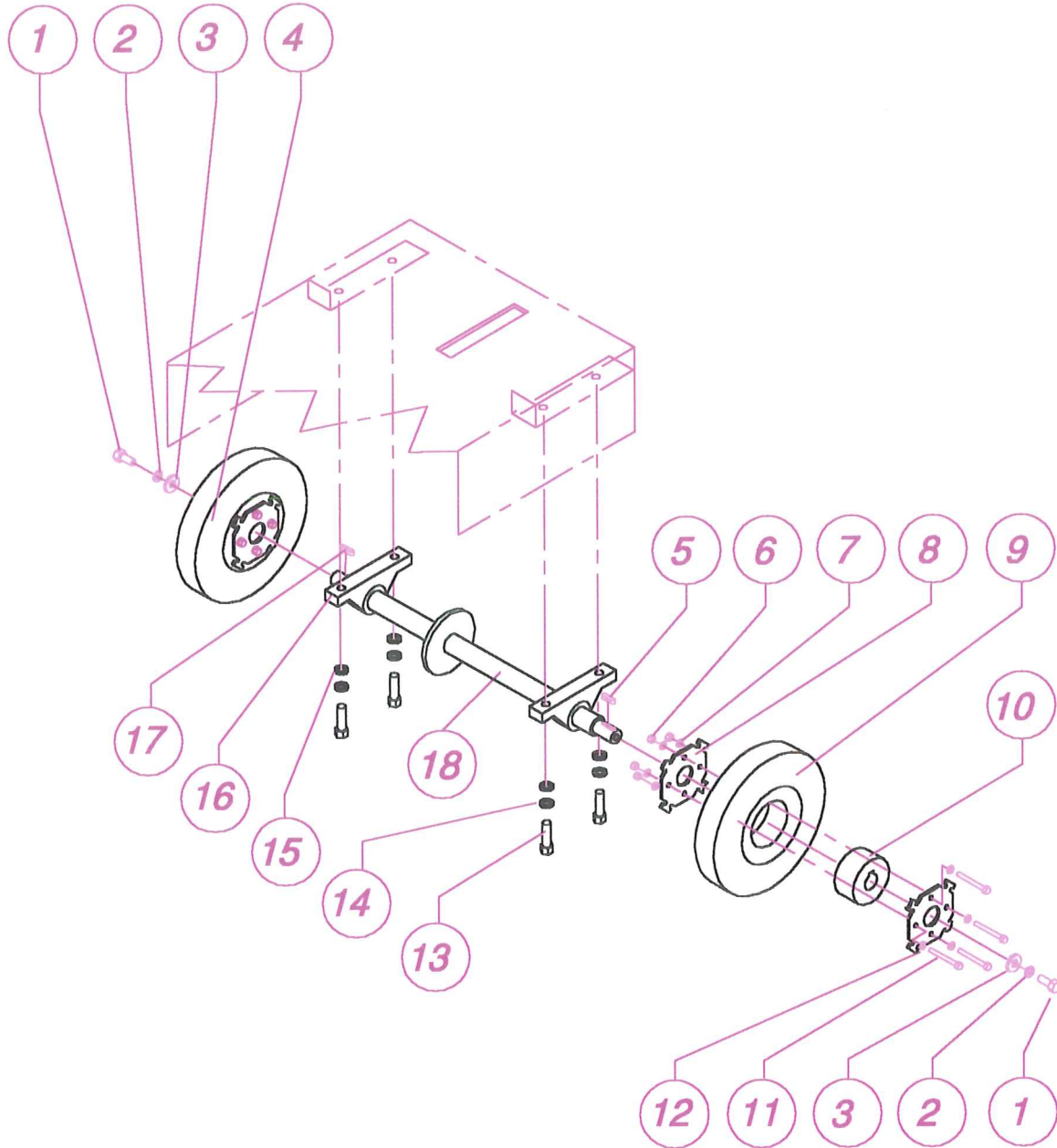
**GXL**

**115 345**

Ref.no	Part.no	Description	Data	Qty
1	850 009	Screw	M10x25	2
2	850 055	Spring washer	M10x25	2
3	850 108	Washer (115 805)	M10/30 x 4	2
4	311 105 00	Front wheel complete		
5	810 052	Ball bearing	UCPA 206	2
6	810 032	Ball bearing	6005 2RS	2
8	850 004	Screw	M6x55	8
9	115 091	Front wheel hub		2
10	810 033	Rubber tire		2
11	115 093	Wheel rim		4
12	850 045	Washer	M6	8
13	850 073	Nut	M6	8
14	115 466	Front wheel axle	Ø30x575	1
15	850 057	Spring washer	M14	4
16	850 026	Screw	M14x25	4
17	850 035	Set screw	M8x10	2
	311 115 00	Front wheel axle complete 575mm		1
<b>Ref.no</b>	<b>Part.no</b>	<b>Description</b>	<b>Data</b>	<b>Qty</b>
<b>Date:</b>	25.des.11	115 346	<b>Version:</b>	

# REAR WHEEL ASSEMBLY

GXL





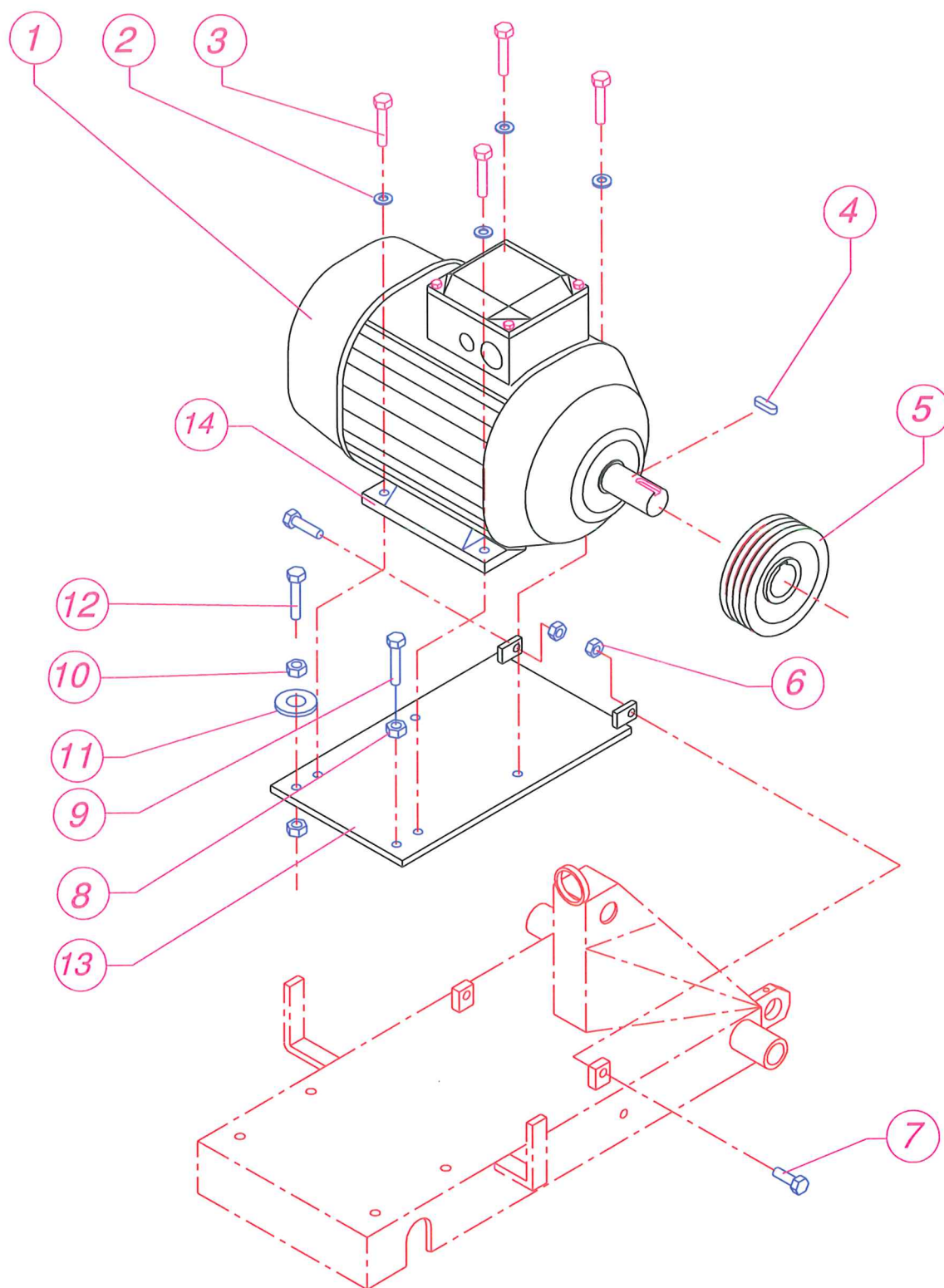


# Rear wheel assembly

**GXL**

**115 347**

Ref.no	Part.no	Description	Data	Qty
1	850 009	Screw	M10x25	2
2	850 055	Spring washer	M10	2
3	850 108	Washer (115 805)	M10x30x4	2
4	311 110 00	Rear wheel complete		2
5	115 085	Key	6x6x25	1
6	850 073	Nut	M6	8
7	850 045	Washer	M6	8
8	115 093	Wheel rim		4
9	810 033	Rubber tire		2
10	115 354	Rear wheel hub		2
11	850 004	Screw	M6x55	8
13	850 018	Screw	M12x35	4
14	850 056	Spring washer	M12	4
15	850 048	Washer	M12	4
16	810 031	Ball bearing	UCP 206	2
17	115 085	Key	6x6x25	2
18	115 361	Rear wheel axle	Ø30x575	1
	311 120 00	Rear wheel axle complete		1
<b>Ref.no</b>	<b>Part.no</b>	<b>Description</b>	<b>Data</b>	<b>Qty</b>
<b>Date:</b>	<b>25.des.11</b>	<b>115 347</b>	<b>Version:</b>	





## Motor Connection

**GXL**

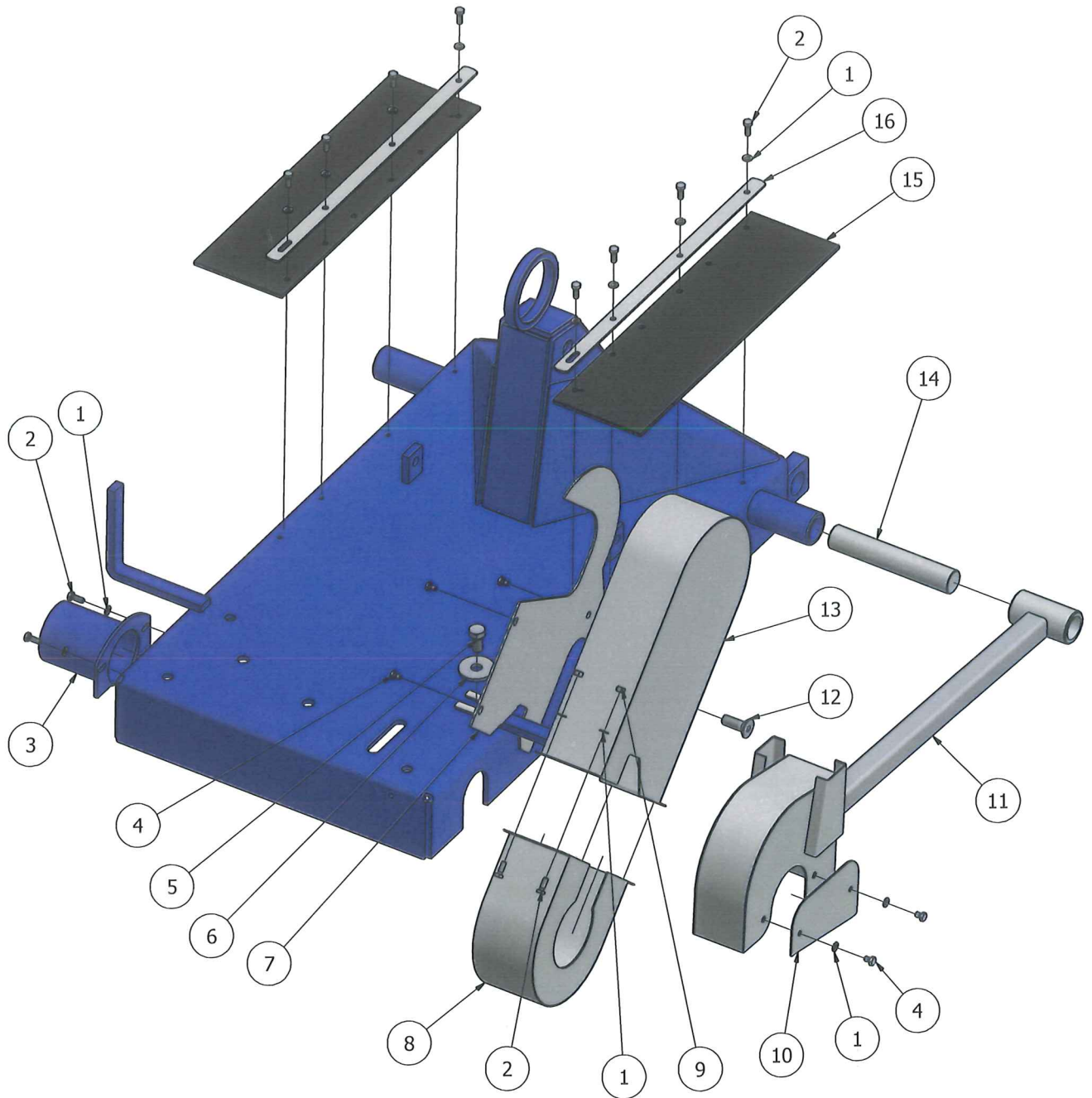
**115 350**

Ref.no	Part.no	Description	Data	Qty
1		Motor see electric system - forms		
2	850 056	Spring washer	M12x30	4
3	850 017	Screw	M12x30	4
4	810 051	Key	12x10x40	1
5	810 128	Pulley SPA 106	Drilling Ø42	1
6	850 076	Nut	M12	2
7	850 017	Screw	M12x30	2
8	850 077	Nut	M14	1
9	850 037	Screw	M12x70	1
10	850 076	Nut	M12x70	1
11	850 108	Washer	M13x30x4	1
12	850 024	Screw	M12x70	1
13	115 362	Motor connection plate GXL15-20	15,0Kw	1
13	116 138	Motor connection plate GXL25	18,5Kw	1
<b>Ref.no</b>	<b>Part.no</b>	<b>Description</b>	<b>Data</b>	<b>Qty</b>
<b>Date:</b>	<b>09.mar.12</b>	<b>115 350</b>	<b>Version:</b>	<b>1</b>



# Cover assembly

# GXL



Date	Description	Version
10.01.2012	116 144	



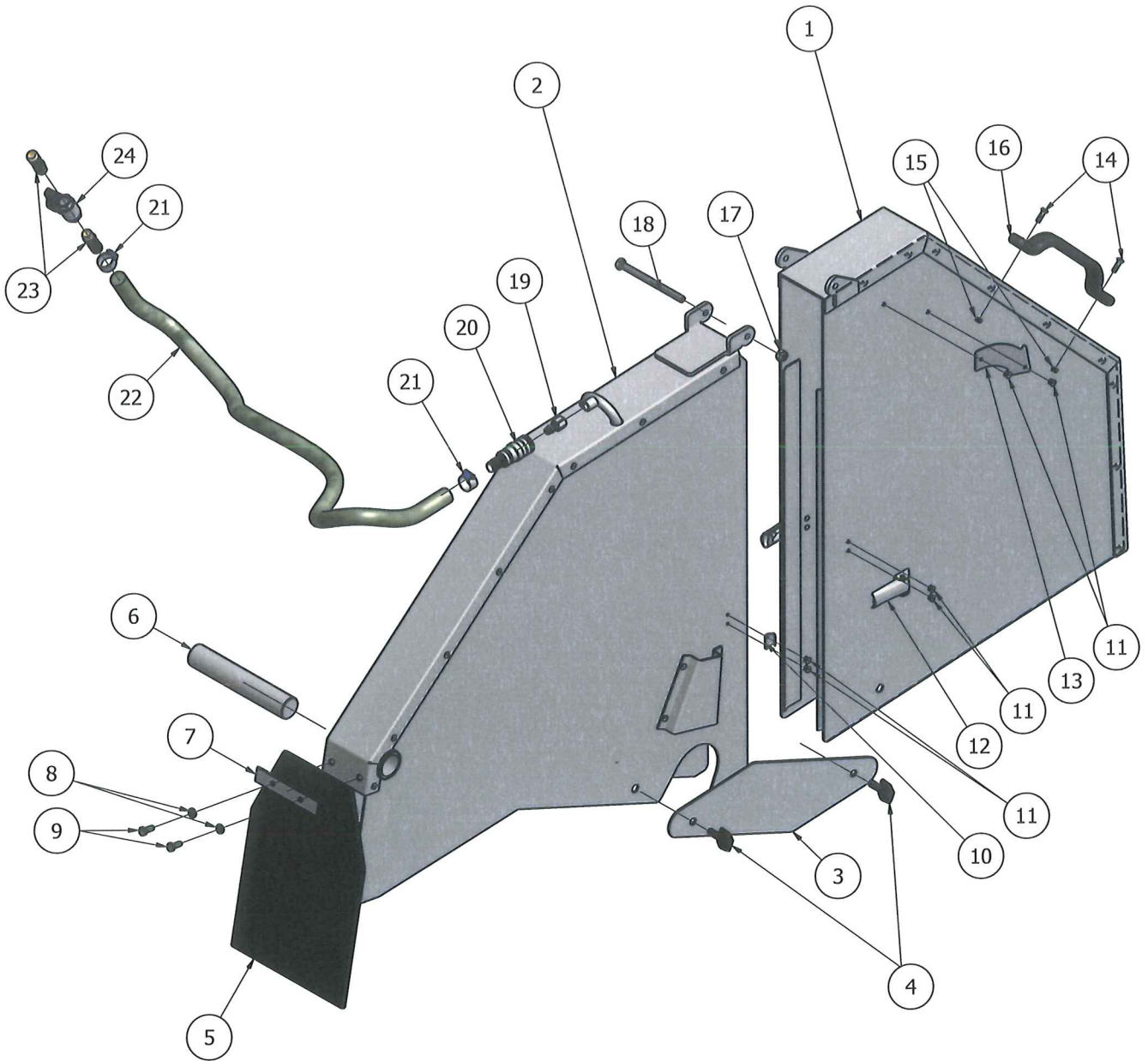
## Cover assembly

**GXL****116 144**

<i>Ref.no</i>	<i>Part.no</i>	<i>Description</i>	<i>Data</i>	<i>Qty</i>
1	850 053	Spring washer	M6	16
2	850 002	Screw hexagonal socket	M6x16	14
3	115 769	Bladeshaft protection		1
4	850 151	Screw	M6x8	5
5	850 016	Screw	M12x25	1
6	850 048	Washer	M12	1
7	115 796	Cover plate V belt protection		1
8	115 826	Front V belt cover		1
9	850 091	Nut	M6	4
10	115 841	Cover protection plate		1
11	115 756	Bladeshaft cover		1
12	850 152	Screw -hexagon socket	M12x35	1
13	115 825	Upper V belt cover		1
14	115 163	Connection pin		1
15	115 161	Rubber guard splach		2
16	115 162	Bracket		2
<i>Ref.no</i>	<i>Part.no</i>	<i>Description</i>	<i>Data</i>	<i>Qty</i>
<i>Date:</i>	10.jan.12		<i>Version:</i>	

# Blade guard Ø1000

311 221 00



Date	Description	Version
06.01.2012		

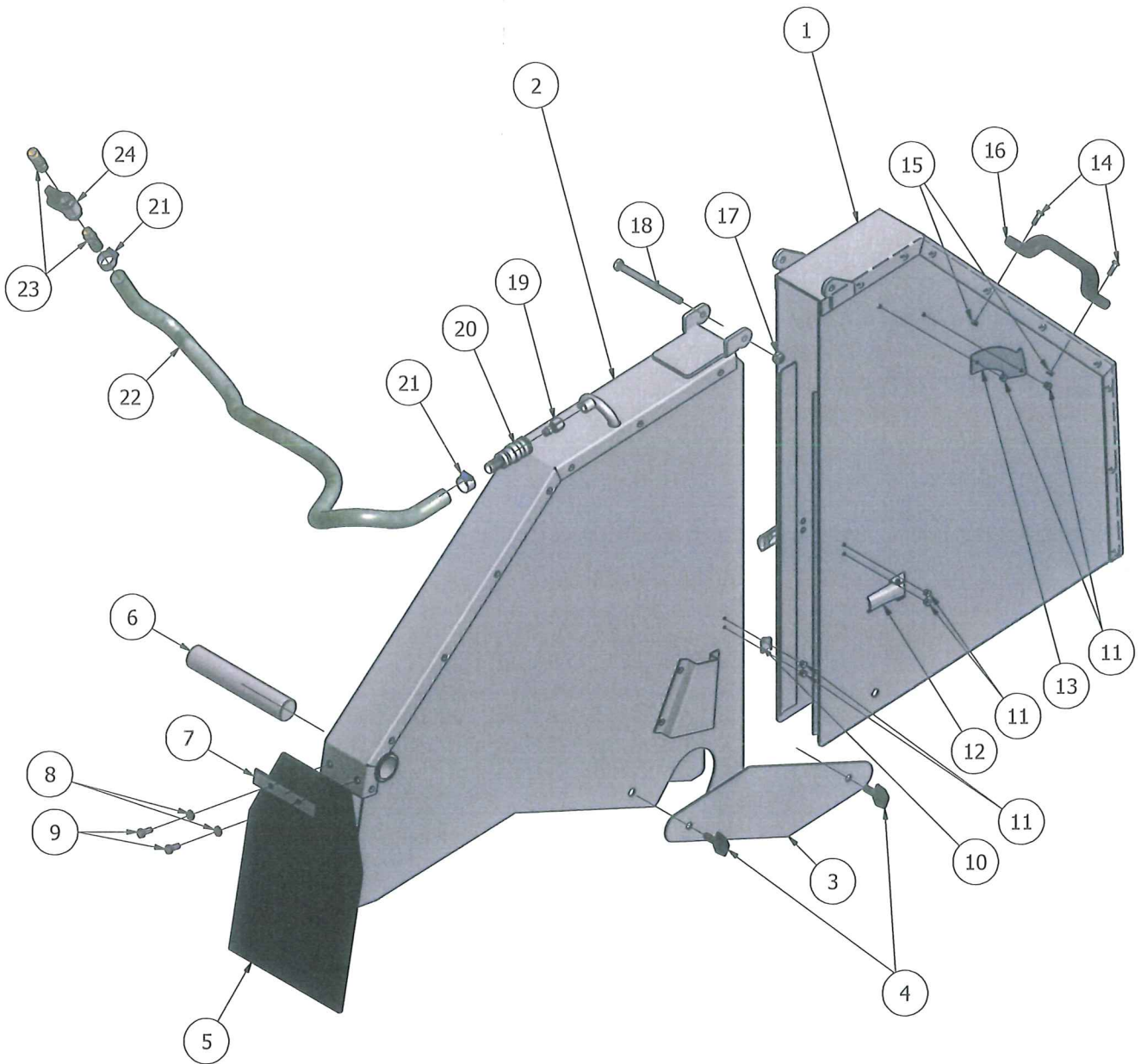


**Blade Guard complete Ø1000****GS15 - GSA - GXL****311 221 00**

<i>Ref.no</i>	<i>Part.no</i>	<i>Description</i>	<i>Data</i>	<i>Qty</i>
1	116 073	Rear blade guard	Ø1200	1
2	116 072	Front blade guard	Ø1200	1
3	116 076	Protection for balde guard		1
4	810 541	Wing screw	M8	2
5	115 057	Rubber guard		1
6	115 163	Connection pin blade guard	Ø30	1
7	115 097	Bracket		1
8	850 045	Spring washer	M6	2
9	850 002	Screw	M6x16	2
10	850 148	Eksenter lock bend		2
11	850 103	Pop nut	4,8x10	12
12	850 147	Ekseneter lock		2
13	116 120	Rotation arrow		2
14	850 143	Screw	M5x12	2
15	850 090	Locing nut	M5	2
16	850 149	Handle		1
17	850 092	Nuts	M8	1
18	850 141	Screw	M8x110	1
19	850 145	Water coupling	CEJN 320	1
20	810 538	Hose conection	CEJN 320	1
21	810 572	Hose clamp	1/2"	2
22	810 044	Hose	1/2"	1
23	810 539	Hose conector	1/2"	2
24	810 540	Water tap	1/2"	1
<i>Ref.no</i>	<i>Part.no</i>	<i>Description</i>	<i>Data</i>	<i>Qty</i>
<i>Date:</i>	<i>06.jan.12</i>		<i>Version:</i>	

# Blade guard Ø1200

311 222 00



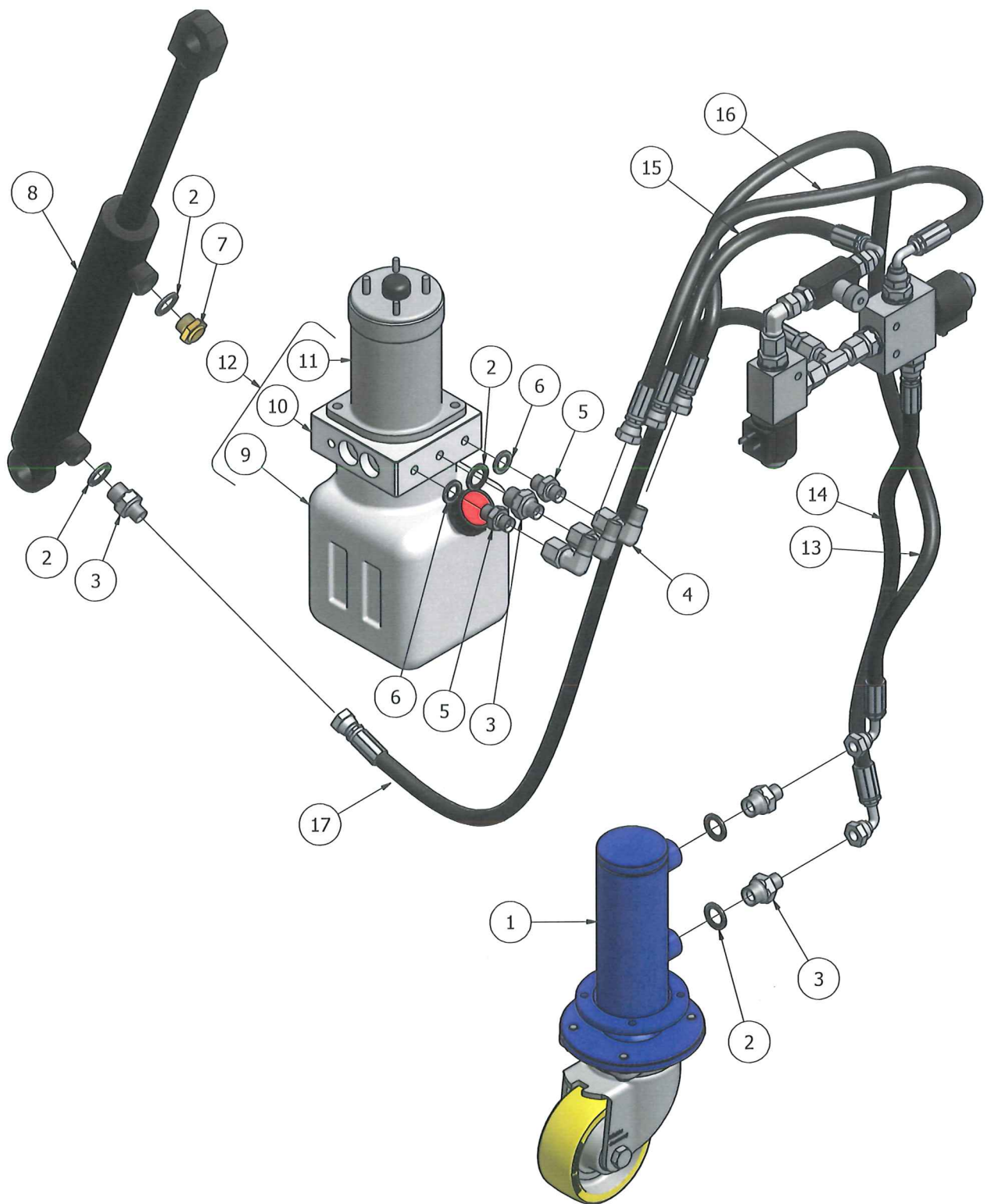
Date	Description	Version
06.01.2012		

**Blade Guard complete Ø1200****GSA - GXL****311 222 00**

<b>Ref.no</b>	<b>Part.no</b>	<b>Description</b>	<b>Data</b>	<b>Qty</b>
1	116 075	Rear blade guard	Ø1200	1
2	116 074	Front blade guard	Ø1200	1
3	116 076	Protection for blade guard		1
4	810 541	Wing screw	M8	2
5	115 057	Rubber guard		1
6	115 163	Connection pin blade guard	Ø30	1
7	115 097	Bracket		1
8	850 045	Spring washer	M6	2
9	850 002	Screw	M6x16	2
10	850 148	Eksenter lock bend		2
11	850 103	Pop nut	4,8x10	12
12	850 147	Ekseneter lock		2
13	116 120	Rotation arrow		2
14	850 143	Screw	M5x12	2
15	850 090	Locing nut	M5	2
16	850 149	Handle		1
17	850 092	Nuts	M8	1
18	850 141	Screw	M8x110	1
19	850 145	Water coupling	CEJN 320	1
20	810 538	Hose conection	CEJN 320	1
21	810 572	Hose clamp	1/2"	2
22	810 044	Hose	1/2"	1
23	810 539	Hose conector	1/2"	2
24	810 540	Water tap	1/2"	1
<b>Ref.no</b>	<b>Part.no</b>	<b>Description</b>	<b>Data</b>	<b>Qty</b>
<b>Date:</b>	<b>06.jan.12</b>		<b>Version:</b>	

# Hydraulic system 1

# GXL



Date	Description	Version
10.01.2012	116 127	





# Hydraulic system 1

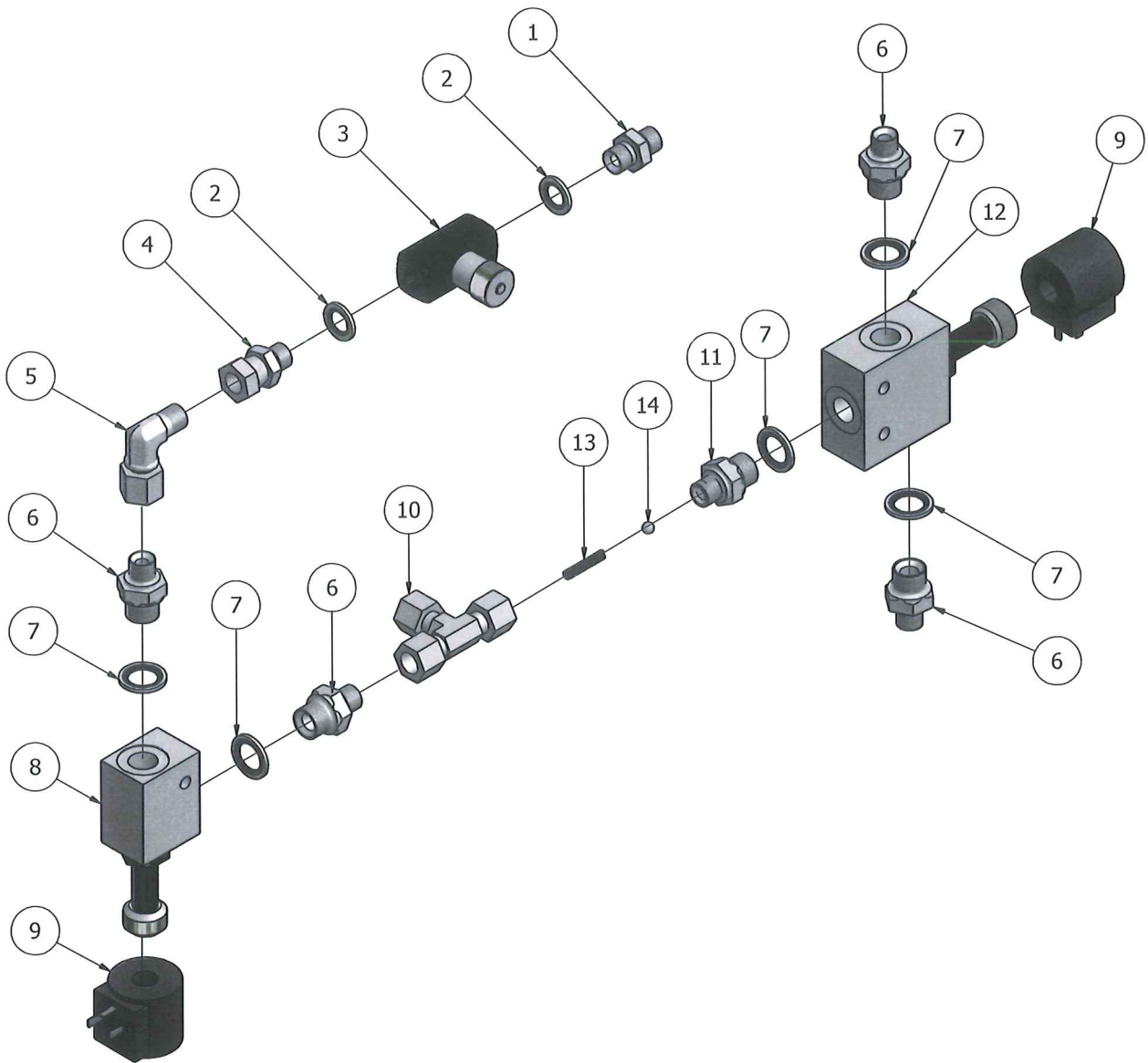
**GXL**

**116 127**

Ref.no	Part.no	Description	Data	Qty
1	311 223 00	Hydraulic lift cylinder	5th wheel	1
2	810554	Sealing	3/8"	5
3	810163	Nipple	1/4"-3/8"	4
4	810081	Elbow nipple	1/4" - 1/4"	3
5	810070	Nipple	1/4"-1/4"	2
6	810551	Sealing	1/4"	2
7	810553	Brifing filter nipple	3/8"	1
8	810 069	Lift cylinder movable frame		1
9	810 560	Hydraulic reservoare	1L	1
10	810 561	Hydraulic pump		1
11	810 562	El motor	12V 350W	1
12	810 563	Hydrailui power unit		1
13	116 123	Hydraulic hose	L=515	1
14	116 126	Hydraulic hose	L=845	1
15	116 124	Hydraulic hose	L=385	1
16	116 125	Hydraulic hose	L=625	1
17	116 122	Hydraulic hose	L=1012	1
Ref.no	Part.no	Description	Data	Qty
Date:	10.jan.12	116 127	Version:	

# Hydraulic system 2

# GXL



Date	Description	Version
11.12.2013	116 127	1



## Hydraulic system 2

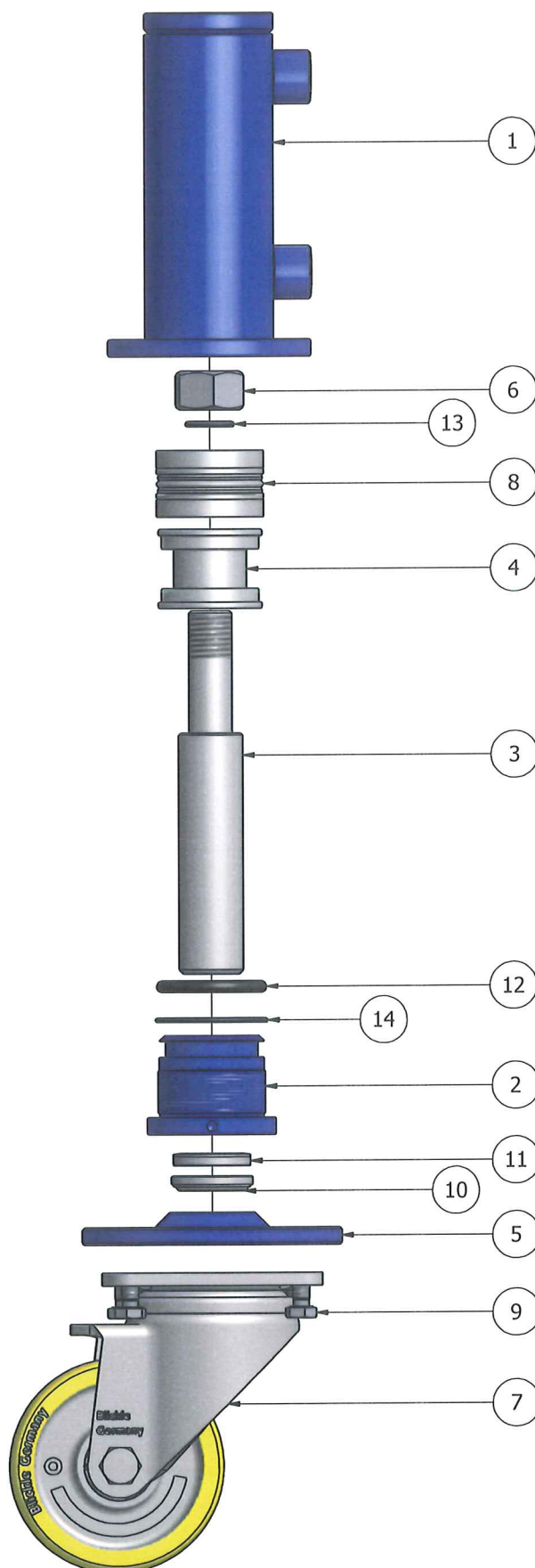
**GXL**

**116 127**

Ref.no	Part.no	Description	Data	Qty
1	810070	Nipple	1/4"-1/4"	1
2	810551	Sealing	1/4"	2
3	810082	Flow control valve	1/4"	1
4	810294	Nipple	1/4"-1/4"	1
5	810081	Elbow nipple	1/4" - 1/4"	1
6	810163	Nipple	1/4"-3/8"	5
7	810554	Sealing	3/8"	5
8	810 565	Valve housing	Block	1
9	810 564	Coil 12V		2
10	810552	T - nipple 1/4"		1
11	116 251	Nipple	1/4"-3/8"	1
12	810 566	Valve housing	Block	1
13	810 607	Feather - spring		1
14	810 606	Bale	Ø6	1
<b>Ref.no</b>	<b>Part.no</b>	<b>Description</b>	<b>Data</b>	<b>Qty</b>
<b>Date:</b>	<b>11.des.13</b>	<b>116 127</b>	<b>Version:</b>	<b>1</b>

# Lift hydraulic cylinder

## 311 223 00



Date	Description	Version
20.03.2012	116 110	1



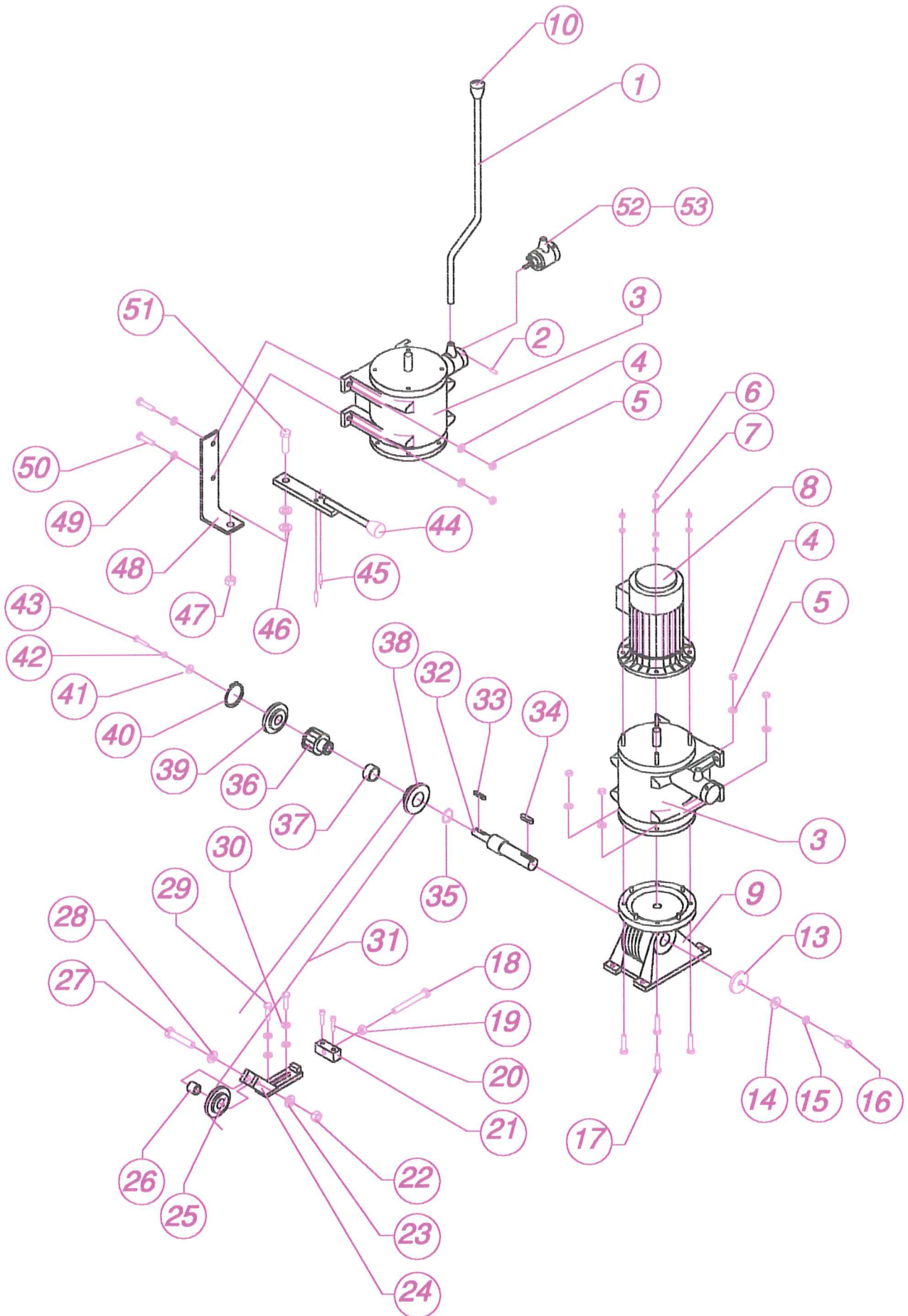


# Hydraulic lift cylinder

**GXL**

311 223 00

Ref.no	Part.no	Description	Data	Qty
1	116 119	Hous		1
2	116 111	Stuffing box		1
3	116 114	Pisto rod		1
4	116 115	Piston		1
5	116 118	Bracket		1
6	850 097	Locking nut	M20	1
7	810 286	Wheel complete		1
8	810 555	Piston seal		1
9	850 132	Screw	M8x12	4
10	810 556	Whiper		1
11	810 557	Seal for stuffing box		1
12	810 559	O ring	Ø40,64x5,33	1
13	810 558	O-ring	Ø18x2,5	1
14	810 591	O-ring	Ø45x2	1
Ref.no	Part.no	Description	Data	Qty
Date:	12.des.11	116 110	Version:	2



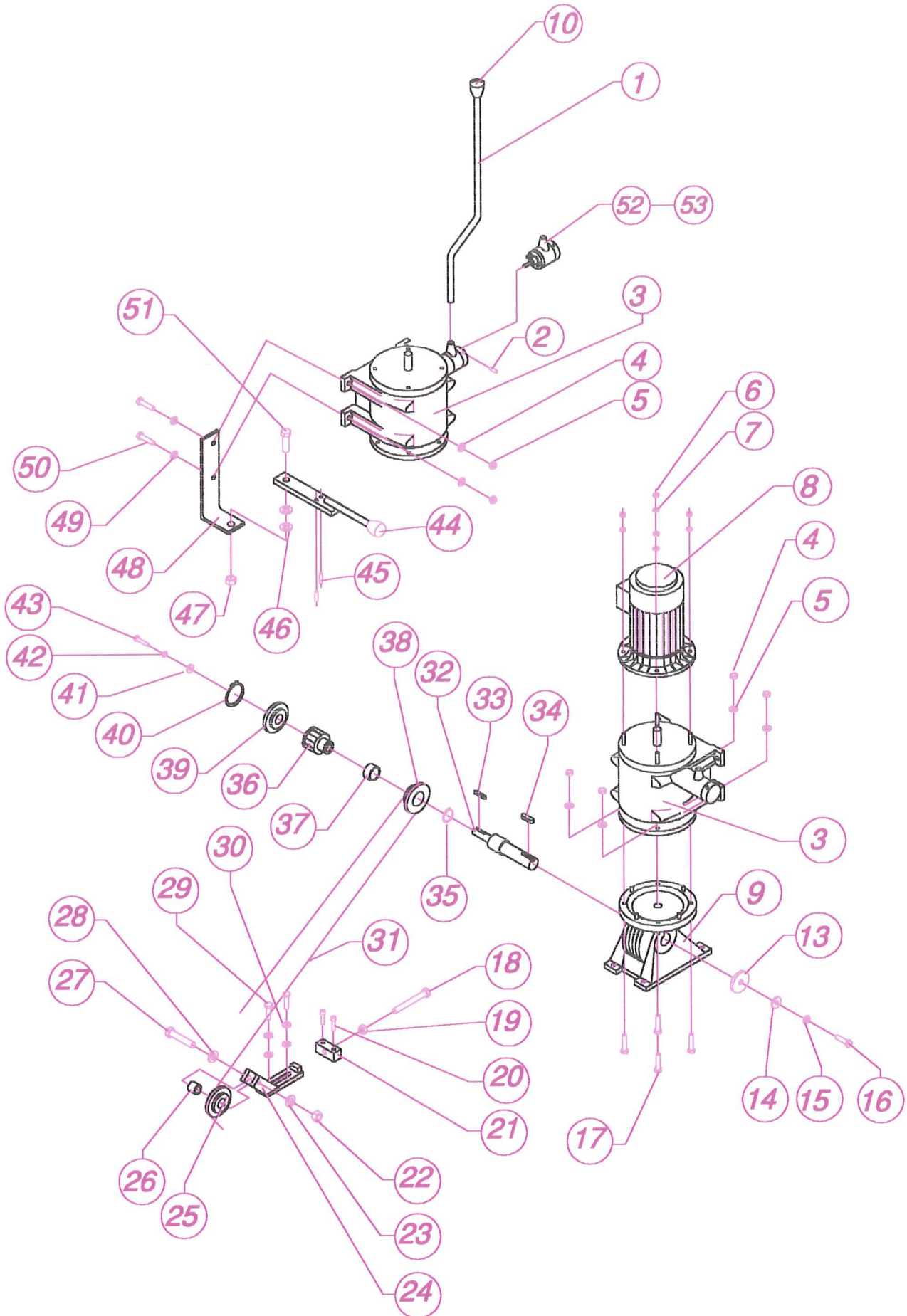


# Automatic Drive assembly

**GSA - GXL**

**115 341**

Ref.no	Part.no	Description	Data	Qty
1	311 160 00	Lever stick handle		1
2	850 076	Nut	M12	1
3	810 087	Hydrostatic speed variator (up to 2012)	A2	1
3	810 573	Hydrostatic speed variator (from 2012)	K2	
4	850 046	Washer	M8	2
5	850 074	Nut	M8	2
6	850 073	Nut	M6	4
7	850 045	Washer	M6	4
8	810 088	Motor	MEZ	1
9	810 089	Helicoil gear		1
10	810 209	Ball'		2
13	850 110	Washer	Ø8,4x30	1
14	850 054	Spring washer	M8	1
16	850 005	Screw	M8x20	1
17	850 007	Screw	M8x30	4
18	850 008	Screw	M8x60	1
20	850 114	Unbracko screw	M6x30	2
21	115 379	Bracket for adjusting screw		1
24	115 380	Bracket for chain adjustment		1
25	810 090	Sprocket wheel (STRA-S38/21Z/16mm)		1
26	810 091	Slive	Ø15	1
27	850 013	Screw	M10x45	1
28	850 055	Spring washer	M10	1
29	850 006	Screw	M8x25	2
30	850 054	Sprong washer	M8	1
31	311 159 00	Chain complete with lock L800	3/8" ISO	1
32	115 943	Shaft for transmission gir		1
33	810 093	Key	5x5x30	1
Ref.no	Part.no	Description	Data	Qty
Date:	27.des.11	115341 - 1	Version:	





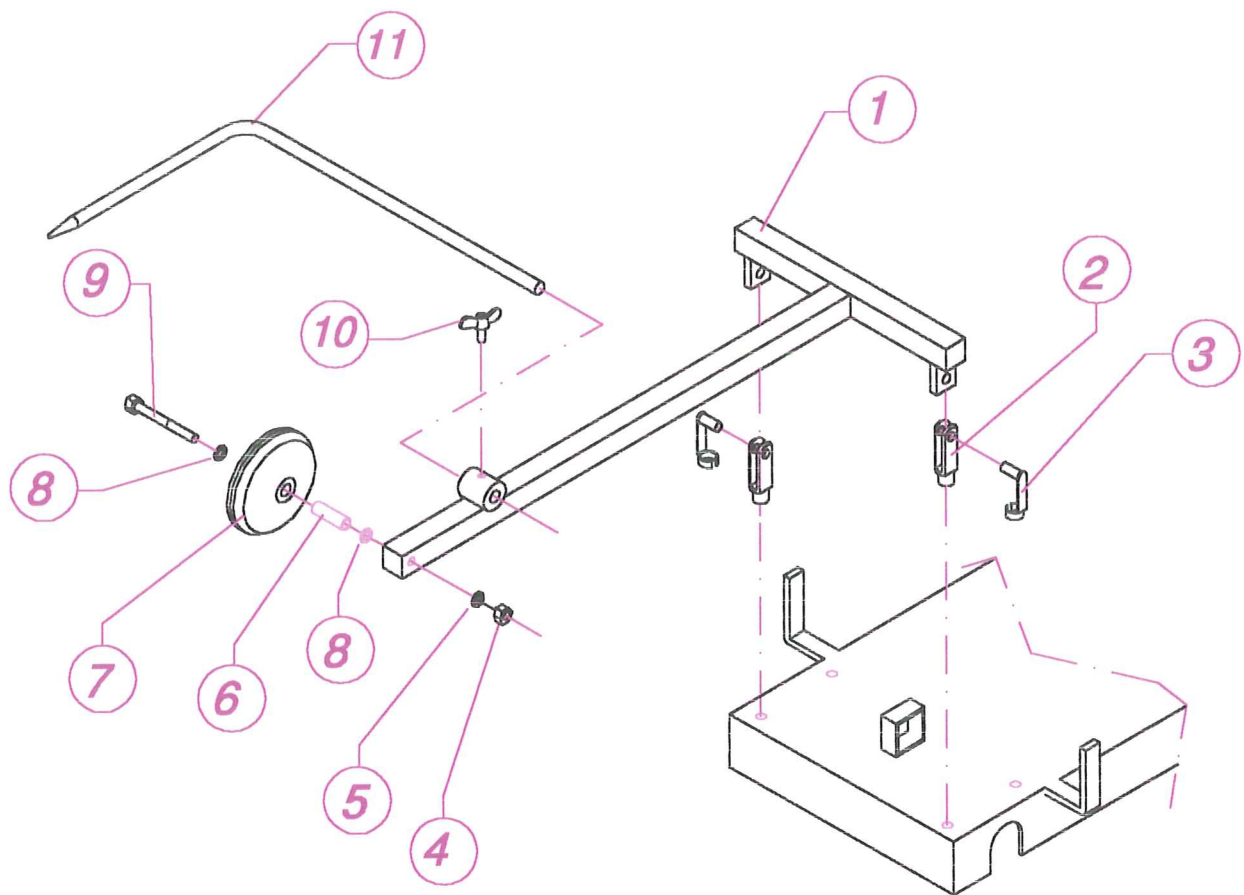


# Automatic Drive assembly

**GSA - GXL**

**115 341**

Ref.no	Part.no	Description	Data	Qty
34	810 094	Key	8x8x35	1
35	810 208	Circlipe	Ø25x1.2	1
36	115 692	Gear hub		1
37	810 096	Slive		1
38	115 654	Inner sprocket wheel		1
39	115 653	Outher gir connection		1
40	810 099	Circlipe	Ø44x1.75	1
41	850 122	Washer	M6x20x1,5	1
42	850 053	Sprong washer	M6	1
43	850 003	Screw	M6x20	1
44	116 155	Gear handle		1
45	810 100	Spli pin	Ø6X25	2
46	850 048	Washer	M12	1
47	850 094	Locking nut	M12	1
48	115 381	Bracket for gear handle		1
49	850 046	Washer	M8	2
50	850 007	Screw	M8x30	2
51	850 018	Screw	M12x35	1
52	810 156	Lever control unit VAR-SPE 11 A2/002/1		
53	810 155	Lever control unit VAR SPE 11.11/0022/1		
54		Lever control unit VAR SPE (year 2011)		1
Ref.no	Part.no	Description	Data	Qty
Date:	01.07.2011	115341 - 2	Version:	





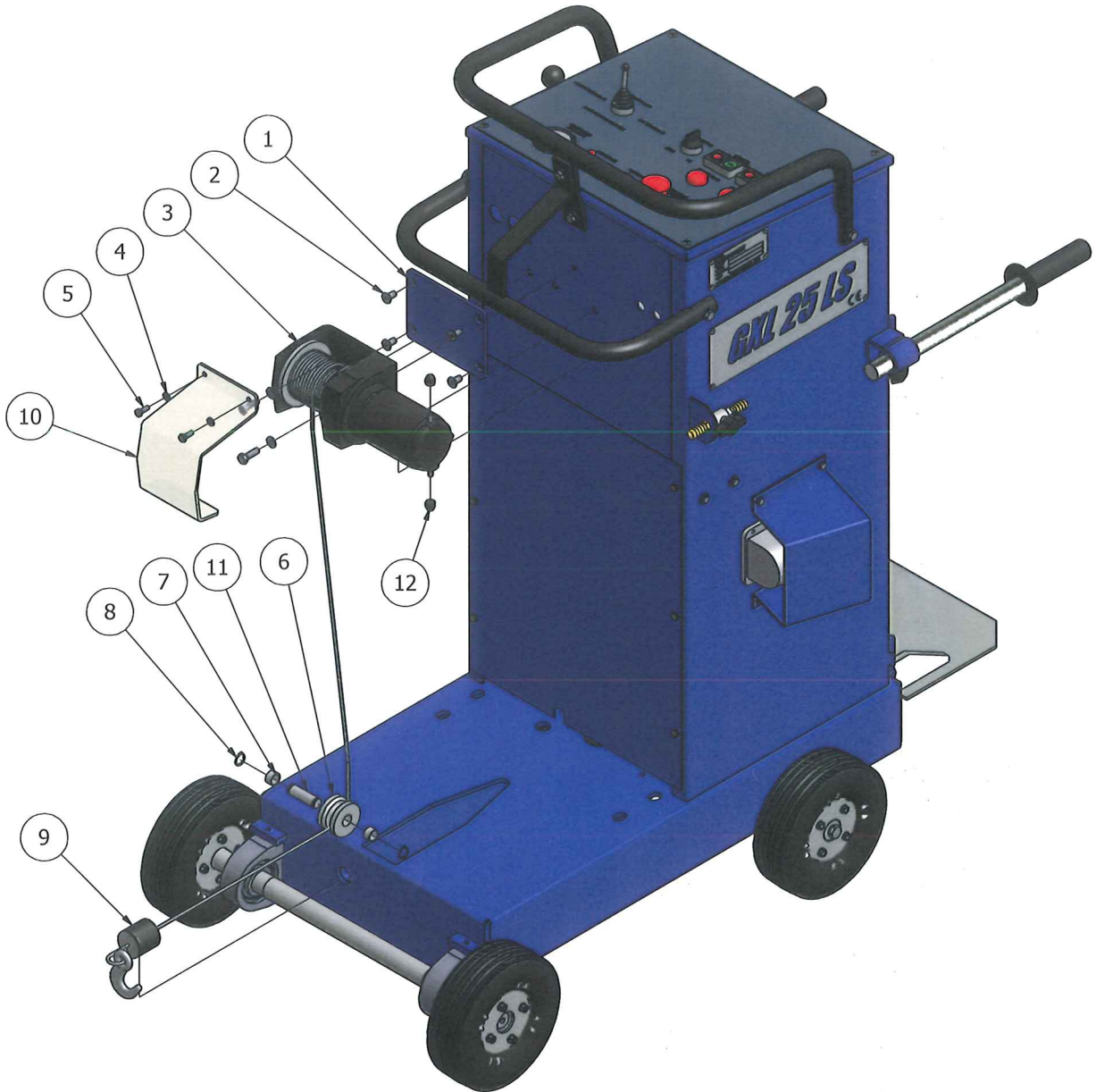
## Sawing guide

**GXL****115 358**

Ref.no	Part.no	Description	Data	Qty
1	115 477	Pointer front wldment		1
2	810 012	ES link	M12x24	2
3	810 011	ES pin	M12x24	2
4	850 075	Nut	M10	1
5	850 055	Spring washer	M10	1
6	810 014	Slive	Ø15xØ11x46	1
7	810 010	Wheel sawing guide	Ø125	1
8	850 047	Washer	M10	2
9	850 014	Screw	M10x90	1
10	850 084	Wing screw	M8	1
11	115 063	Pointer	Ø12	1
	311 111 00	Complete sawing guide		1
<b>Ref.no</b>	<b>Part.no</b>	<b>Description</b>	<b>Data</b>	<b>Qty</b>
<b>Date:</b>	<b>26.des.11</b>	<b>115 358</b>	<b>Version:</b>	

# Wire rope system

# GXL



Date	Description	Version
09.03.2012	116 143	1





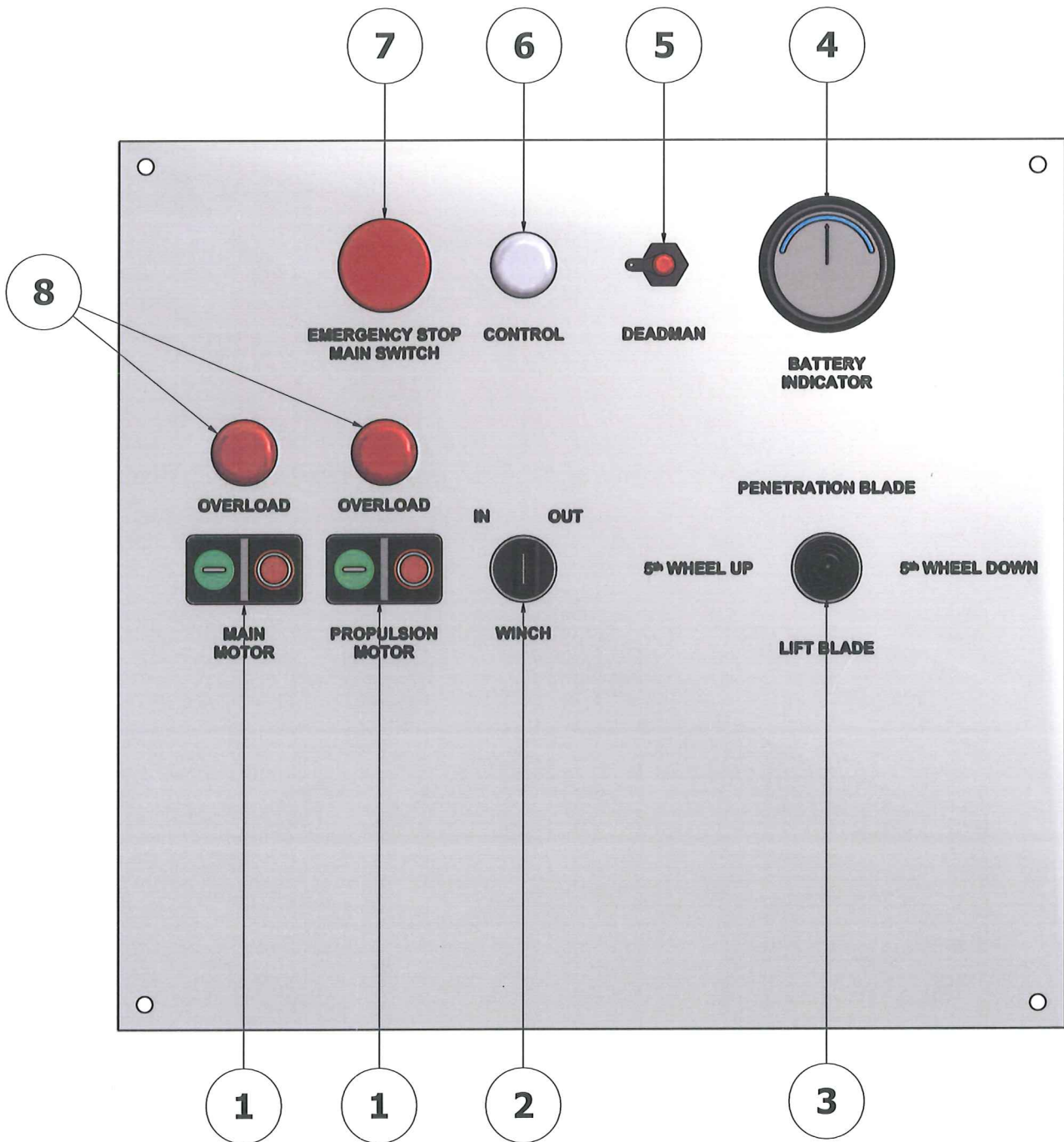
## Wire rope system

**GXL****116 143**

<i>Ref.no</i>	<i>Part.no</i>	<i>Description</i>	<i>Data</i>	<i>Qty</i>
1	116 087	Winch, connection plate		1
2	850 154	Screw hexagonal socket	M8x16	4
3	810 570	Electric winch	12 V	1
4	850 053	Spring washer	M6	2
5	850 002	Screw hexagonal socket	M6x16	2
6	116 132	Wheel for wire		1
7	810 571	Bearings		2
8	810 211	Circlip	Ø15x1,2	2
9	116 136	Rubber damper		1
10	116 137	Winch guard		1
11	115 365	Shaft	Ø15x50	1
12	810 585	Nut protection caps	M6	2
<i>Ref.no</i>	<i>Part.no</i>	<i>Description</i>	<i>Data</i>	<i>Qty</i>
<i>Date:</i>	09.mar.12		<i>Version:</i>	1

# Control panel Electric components

# GXL



Date	Description	Version
14.03.2013	116 234	



## Control panel

**GXL****116 234**

<i>Ref.no</i>	<i>Part.no</i>	<i>Description</i>	<i>Data</i>	<i>Qty</i>
<i>1</i>	<i>810 595</i>	<i>Double touch S1/S2 Main motor - Propulsion motor</i>	<i>Start Stop</i>	<i>2</i>
<i>2</i>	<i>810 596</i>	<i>Electrical switch</i>	<i>Winsj</i>	<i>1</i>
<i>3</i>	<i>810 597</i>	<i>Joy stick</i>		
<i>4</i>	<i>810 598</i>	<i>Battery indicator</i>		<i>1</i>
<i>5</i>	<i>810 599</i>	<i>Kill Switch - Dead man knob</i>		<i>1</i>
<i>6</i>	<i>810 600</i>	<i>Control light</i>	<i>Yellow</i>	<i>1</i>
<i>7</i>	<i>810 601</i>	<i>Emergency stop button</i>	<i>Red</i>	<i>1</i>
<i>8</i>	<i>810 602</i>	<i>Light bulb</i>	<i>Yellow</i>	<i>2</i>
<i>Ref.no</i>	<i>Part.no</i>	<i>Description</i>	<i>Data</i>	<i>Qty</i>
<i>Date:</i>	<i>19.mar.13</i>		<i>Version:</i>	



**Quality and performance - the blue line.**



Hummelfjellveien 27  
2550 Os I Østerdalen  
[www.mekanor.no](http://www.mekanor.no)  
Telephone +47 62 20 20 60  
E mail: [post@mekanor.no](mailto:post@mekanor.no)

