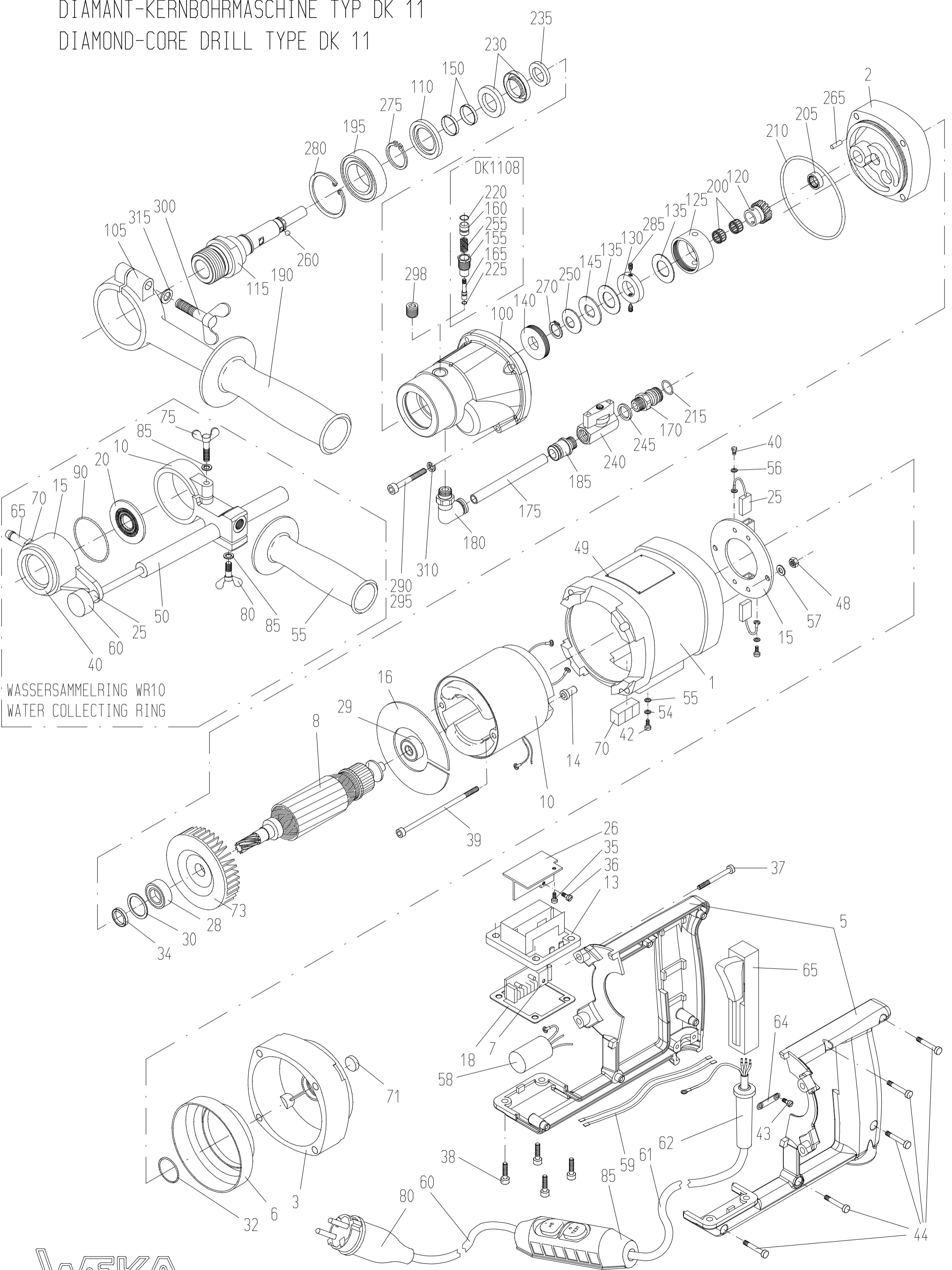


DIAMANT-KERNBOHRMASCHINE TYP DK 11
 DIAMOND-CORE DRILL TYPE DK 11



**Spare Parts Price List - Diamond Core Drill
Type DK 11 - Motor DK1 except**

EPE-DK11

FIG	NO	DESCRIPTION	STANDARD	TYPE	PART NO
2	1	Intermediate Flange with O-Ring			DK11102-1C
3	1	Top Hood with Fig. 6, 32			DK11103C
8	1	Armature with fan and bearing	230 V		DK11108-1
	1	Armature with fan and bearing	110 V		DK11108/11-1
5	1	Rear switch handle			DK11105
65	1	Motor switch	230V/110V		8015211
59	2	Motor strand	1,5"x240		8715240
44	5	Pan Head Tapping Screw	3,9x19		0539019
38	4	Hexagon socket head ssrew	M5x45		0105045
38	4	Hexagon socket head ssrew	M5x20		0205020

**Spare Parts Price List - Diamond Core Drill
Type DK 11 - Gear**

FIG	NO	DESCRIPTION	STANDARD	TYPE	PART NO
100	1	Gear Box			DK11201
105	1	Clamp Ring with Fig. 300, 315			DK12202C
110	1	Supporting Ring			DK11204
115	1	Drill Spindle G1/2" with Fig. 150			DK11206C
	1	Drill Spindle 1 1/4"+G1/2" with Fig. 150			DK11206.3C
	1	Drill Spindle M33x3,5/3 with Fig. 150			DK11206.8C
120	1	Spur Wheel			DK11209
125	1	Clutch Sleeve			DK11216
130	1	Clutch Ring			DK11221
135	2	Brake Disk			DK11218
140	1	Supporting Disk			DK11217
145	1	Pressure Disk			DK10219
150	2	Protective Sleeve			DK11220
155	1	Locking Sleeve			DK11222
160	1	Locking Knob			DK11223
165	1	Locking Pin			DK11224
170	1	Quick Connect Nipple with O-Ring			DK20225
175	1	Junction Hose	5/8x110		7058110
180	1	Angle Quick Connect Nipple	G1/4"/8		7014868
185	1	Quick Connect Nipple	G1/4"/8		7014668
190	1	Handle			8900014
195	1	Ball Bearing	6004 2RS		6060044
200	2	Needle Cage	K10x13x10 TN		6310103
205	1	Needle Bush	HK1010		6310100
210	1	O-Ring	RDR78x2		5578002
215	1	O-Ring	RDR11x2,5		5511025
220	1	O-Ring	RDR7x1,5		5507015
225	1	O-Ring	RDR3,5x1,2		5503512
230	2	Rotary Shaft Seal	A18x32x7		5018327
235	1	Rotary Shaft Seal	A16x30x7		5016307
240	1	Ball Valve	G1/4"i		7014001
245	1	Sealing Ring	G1/4"		7014003
250	1	Disk Spring	28x14,2x1,5		4028142
255	1	Pressure Spring	0,8x5x12		4305012
260	1	Ball	RB-5		2205000
265	1	Parallel pin	4m6x10		2504010
270	1	Shim Ring	A14x1		3514001
275	1	Shim Ring	A20x1,2		3520012
280	1	Shim Ring	J42x1,75		3442175
285	2	Set Screw w. Dog Point	M4x8		DK11226
290	1	Hexagon Socket Screw	M5x70		0105070
295	3	Hexagon Socket Screw	M5x50		0105050
298	1	Locking Screw	G1/4"		7014010
300	1	Wing Screw	M6x40		0506040
310	4	Locking Washer	SM5		1805000
315	1	Medium Washer	A6,4		1806125
	1	Gear Oil	90ml		9009001
	1	Carrying Case			DK10810

Spare Parts Price List - Diamond Core Drill Water Collecting Ring WR10

FIG	NO	DESCRIPTION	STANDARD	TYPE	PART NO
10	1	Clamp Ring			DK11202
15	1	Water Collecting Ring			WR10402
16	1	Water Collecting Ring cpl.			WR10
20	1	Seal Disk	universal		WR10410
	1	Seal Disk	Ø16		WR10410.16
	1	Seal Disk	Ø20		WR10410.20
	1	Seal Disk	Ø24		WR10410.24
	1	Seal Disk	Ø25		WR10410.25
	1	Seal Disk	Ø28		WR10410.28
	1	Seal Disk	Ø30		WR10410.30
	1	Seal Disk	Ø32		WR10410.32
	1	Seal Disk	Ø34		WR10410.34
25	1	Thread Bolt			WR10412
40	1	Seal Ring			WR10750
50	1	Gas Spring	WR10 stroke		4320003
	1	Gas Spring	WR10.3 stroke		4330003
	1	Gas Spring	WR10.4 stroke		4345003
55	1	Handle			8900014
60	1	Cushion			2830148
65	1	Hose Spout	G3/8"		7038013
70	1	Seal Ring	G3/8"		7038003
75	1	Wing Screw	M6x40		0506040
80	1	Wing Screw	M6x20		0506020
85	2	Medium Washer	A6,4		1806125
90	1	O-Ring	RDR48x4		5548040

* parts are substituted

The prices listed are gross prices in € per item, plus statutory Value added tax.

When ordering spare parts, please always state: machine number, quantity, designation, spare part number and, for electrical parts, the nominal voltage (if different from 230 V).

WEKA Elektrowerkzeuge KG, Auf der Höhe 20, D 75387 Neubulach - Altbulach
 Telephon: +49 7053 96816-0, spare parts: +49 7053 96816-14 · Telefax: +49 7053 3138
 Internet: www.weka-elektrowerkzeuge.de · E-mail: weka@weka-elektrowerkzeuge.de

Subject to change