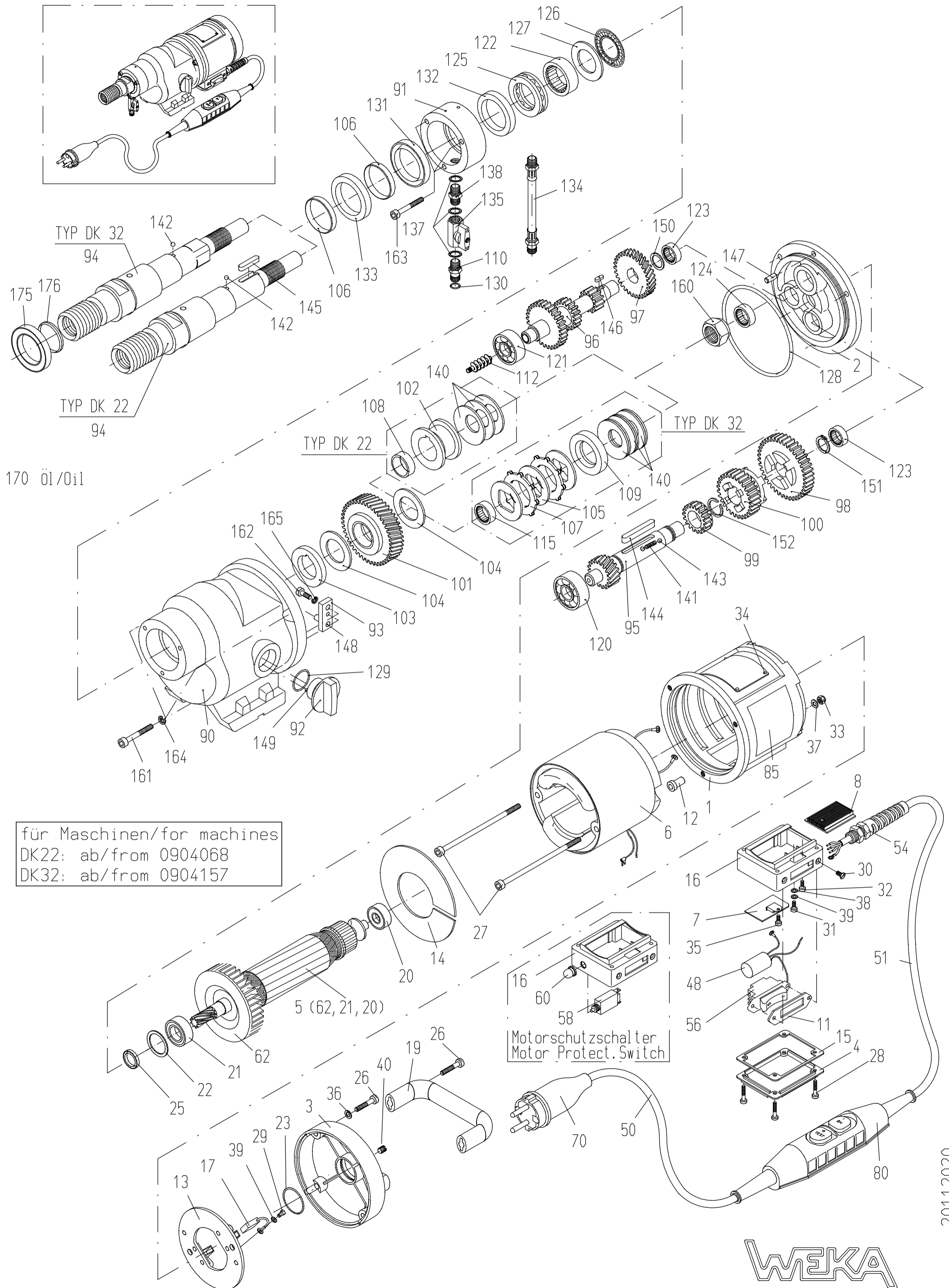


# DIAMANT - KERNBOHRMASCHINE TYP DK 22 (L, S), DK 32



**Spare Parts Price List - Diamond Core Drill  
Type DK 32 - Motor**

EPE-DK3

FIG	NO	DESCRIPTION	STANDARD	TYPE	PART NO
1	1	Motor case			DK30101
2	1	Intermediate Flange with pos 25, 123, 124, 128			DK30102-1C
3	1	Motor Top Hood with O-Ring			DK30103C
4	1	Terminal Case Cover			DK20106
5	1	Armature with Fan and Bearings	230V		DK30108-1
	1	Armature with Fan and Bearings	110V		DK30108/11-1
6	1	Field compl.	230V		DK30109
	1	Field compl.	110V		DK30109/11
7	1	Electronic Module	230V		DK30510-1
	1	Electronic Module	110V		DK30510/11-1
8	1	Cooling Profile			DK30140
	1*	Exchange Seal Bush with O-Ring			DK20113-1C
11	1	Switch Sealing			DK20121
12	2	Field Screw Insulating Sleeve			DK20116
13	1	Brush Holder Disc			DK20117
14	1	Air Conducting Disc			DK20118
15	1	Terminal Case Sealing			DK40122
16	1	Terminal Case for motor electronic			DK30130
	1	Terminal Case for motor protection switch	110 V		DK30130/11
17	2	Carbon Brush	230V		DK20125
	2	Carbon Brush	110V		DK20125/11
19	1	Carrying Handle			DK30105
20	1	Ball Bearing	6201 2Z		6062012
21	1	Ball Bearing	6002 2Z		6060021
22	1	Compensation Washer			2632201
23	1	O-Ring	RDR 32x3		5532003
25	1	Rotary Shaft Seal	RWD12x24x7		5012247
26	6	Hexagon Socket Head Screw	M6x35		0106035
27	2	Hexagon Socket Head Screw	M5x120		0105120
28	4	Fill. Head Screw	M4x40		0204040
29	2	Fill. Head Screw	M4x6		0204006
30	2	Slot. Count. Head Screw	M4x6		0414006
31	1	Slot. Pan Head Screw	M4x6		0304006
32	1	Pan Head Tapping Screw	C 3,9x9,5		0539295
33	2	Hexagon Nut	M5		1005000
34	4	Round Head grooved Pin	2,3x4		2223004
35	1	Hexagon Socket Head Screw	M4x6		0104006
	1*	Th. Roll. Cheese Head Screw	M4x6		0504006
36	4	Locking Washer	SM6		1806000
37	2	Curved Spring Washer	A5		1805137
38	1	Curved Spring Washer	A4		1804137
39	3	Medium Washer	4,3		1804433
40	1*	Slot. Set Screw	M6x5		0706005
48	1	Interference Suppression Capacitor			DK20133-1
50	1	Cord 3G1,5x1,5m without plug	PRCD 230V		8715152
	1	Cord 3G1,5x1,5m with Euro-plug	PRCD 230V		8715153
51	1	Cord 3G1,5x2,3m	PRCD 230V		8723152
	1	Cord 3G1,5x3,8	230V		8738152
	1	Cord 3G4x3,8m	110V		8738043
54	1	Cord Gland	230V		8804020
	1	Cord Gland	110V		8804020
56	1	Motor Switch			8023005
58	1	Motor Protect. Switch w. pr. Hood	110V		8057030C
60	1	Protective Hood	110V		8001002
62	1	Fan			DK20105
70	1	Mains Plug (for PRCD)	Schuko		8016013
	1	Mains Plug GB	CEE 32A 4h		8032004
80	1	PRCD Inline Protector	230V		8400010
85	1	Pointing Sticker			DK20620

## Spare Parts Price List - Diamond Core Drill Type DK 32 - Gear

FIG	NO	DESCRIPTION	STANDARD	TYPE	PART NO
90	1	Gear Box			DK30201
91	1	Water Supply Bush			DK20202
92	1	Gear Change Grip with Fig. 129, 149			DK20203C
93	1	Gear Change Lever with Parallel Pin			DK30205C
94	1	Drill Spindle 1 1/4" UNC, cpl. with Fig. 106, 142			DK30206C
	1	Drill Spindle FL32-3, cpl. with Fig. 106, 142			DK30206.4C
	1	Drill Spindle M33/3, cpl. with Fig. 106, 142			DK30206.8C
95	1	Gear Change Shaft			DK30207
		Gear Change Shaft S			DK20207
96	1	Pinion Shaft			DK30208
97	1	Spur Wheel			DK30209
98	1	Gear Wheel 1			DK30212
99	1	Gear Wheel 3			DK30213
100	1	Slide Gear Wheel			DK30214
101	1	Spindle Wheel			DK30215
	1	Spindle Wheel S			DK30215S
103	1	Supporting Disk			DK40217
104	2	Brake Disk A			DK30218
105	3	Pressure Disk			DK30219
106	2	Shaft Wearing Sleeve			DK20210
107	2	Brake Disk			30221
109	1	Pressure Ring			DK30216
110	1	Quick Connect Nipple with O-Ring			DK20225
112	1	Feed Worm			SR30230
115	1	Needle Cage			6326130
120	1	Ball Bearing	6302		6063020
121	1	Ball Bearing	6201		6062010
122	1	Needle Bearing			6330200
123	2	Needle Bush			6314120
124	1	Needle Bush			6320160
125	1	Thrust Ball Bearing			6551106
126	1	Thrust Needle Cage			6530470
127	1	Thrust Bearing Washer			6530471
128	1	O-Ring	RDR102x3		5510203
129	1	O-Ring	RDR20x3		5520003
130	1	O-Ring	RDR11x2,5		5511025
131	1	Rotary Shaft Seal	40x52x7		5040527
132	1	Rotary Shaft Seal	38x50x7		5038507
133	1	Rotary Shaft Seal	40x52x7S		5040521
134	1	Hose Piece cpl. with nipples			DK30235
135	1	Ball Valve			7014001
	1	Grip for Ball Valve			7014005
137	3	Sealing Ring			7014003
140	6	Disk Spring			4045224
141	1	Pressure Spring			4305235
142	1	Ball	5		2205000
143	2	Ball	4		2204000
144	1	Parallel Key	A6x6x45		3006045
146	1	Parallel Key	A4x4x10		3004010
147	1	Parallel Pin	6m6x10		2506010
148	1	Parallel Pin	5m6x15		2505015
149	1	Parallel Pin	3m6x16		2503016
150	1	Shim Ring	PS14x20x1		1914201
151	1	Retaining Ring	16x1		3516001
152	1	Retaining Ring	SW20		3620000
160	1	Hexagon Nut	M22x1,5		1022015
161	3	Hex. Soc. Head Screw	M6x50		0106050
162	1	Hex. Soc. Head Screw	M5x12		0105012
163	3	Hex. Soc. Head Screw	M5x45		0105045
164	3	Locking Washer	SM6		1806000
165	1	Locking Washer	SM5		1805000
170	1	Gear Oil	300 ml		9030001
175	1	Antifriction-Element			AE35
176	2	O-Ring	32x1,5		5532015

\* parts are substituted

The prices listed are gross prices in € per item, plus statutory Value added tax.

When ordering spare parts, please always state: machine number, quantity, designation, spare part number and, for electrical parts, the nominal voltage (if different from 230 V).

WEKA Elektrowerkzeuge KG, Auf der Höhe 20, D 75387 Neulach - Altbulach  
Telephon: +49 7053 96816-0, spare parts: +49 7053 96816-14 · Telefax: +49 7053 3138  
Internet: [www.weka-elektrowerkzeuge.de](http://www.weka-elektrowerkzeuge.de) · E-mail: [weka@weka-elektrowerkzeuge.de](mailto:weka@weka-elektrowerkzeuge.de)

Subject to change