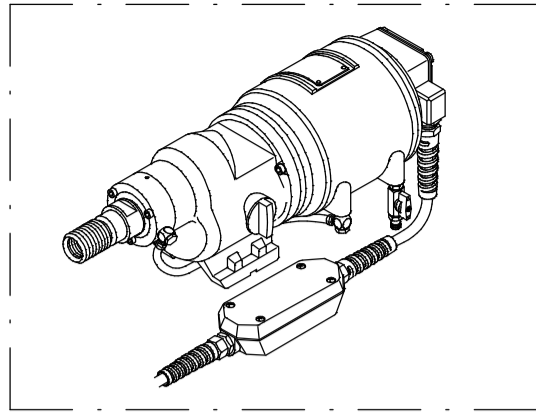
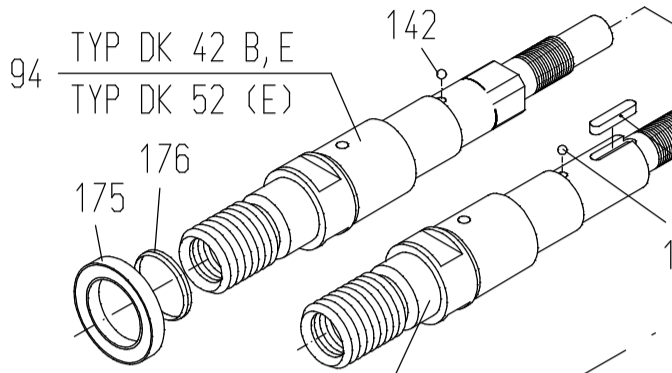


DIAMANT-KERNBOHRMASCHINE TYP DK 42 (A, B, E), (L, S), DK 52 (E)

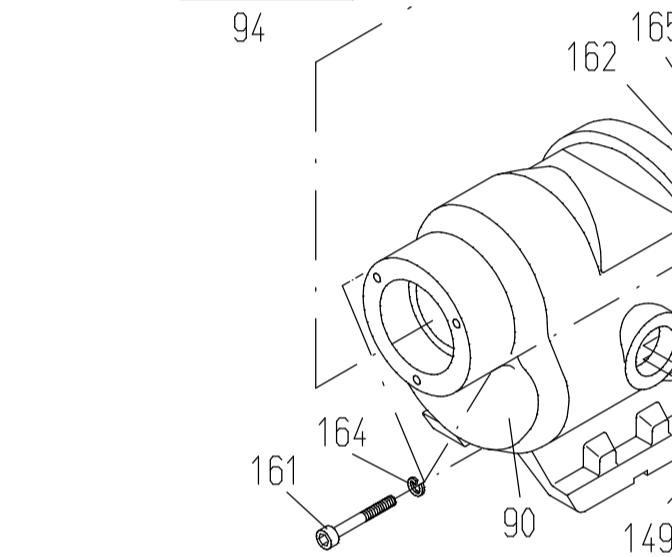


94 TYP DK 42 B, E
TYP DK 52 (E)

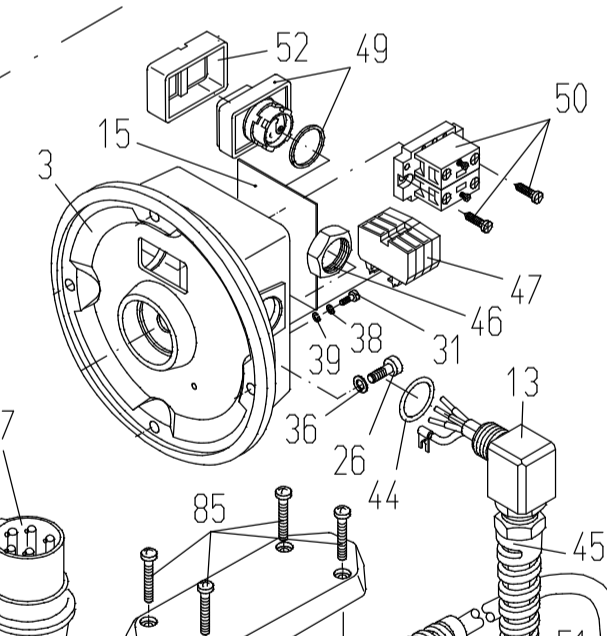


TYP DK 42

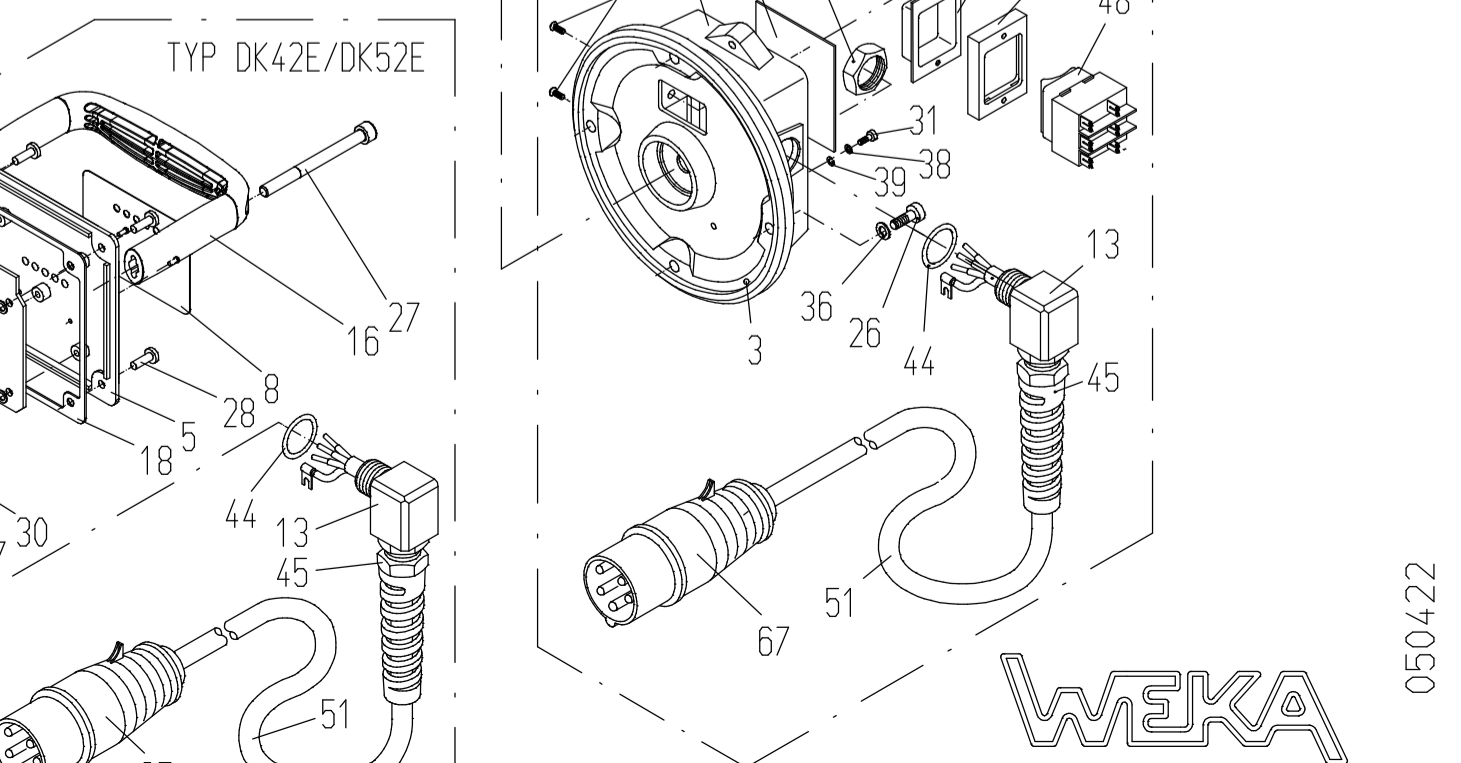
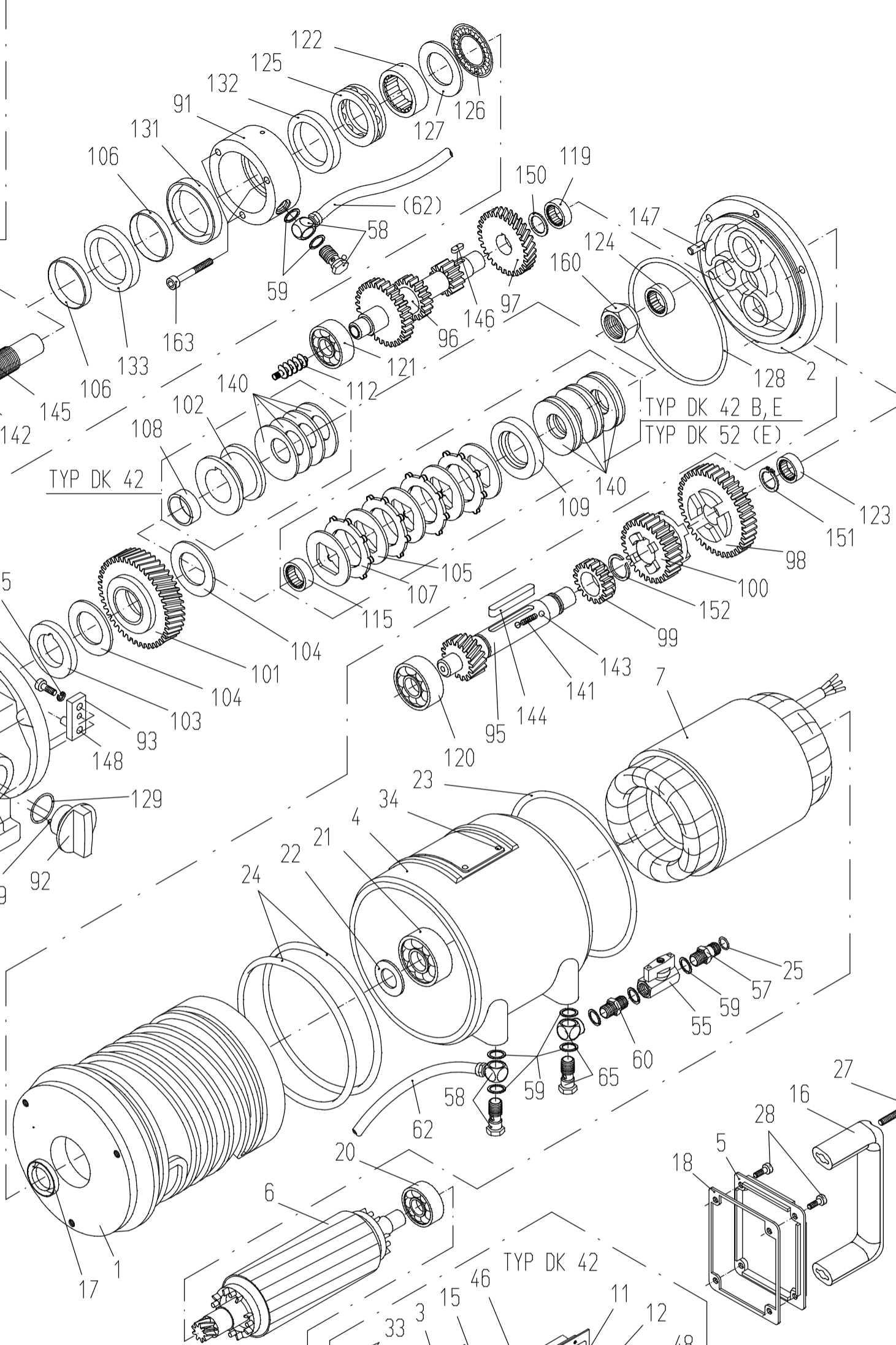
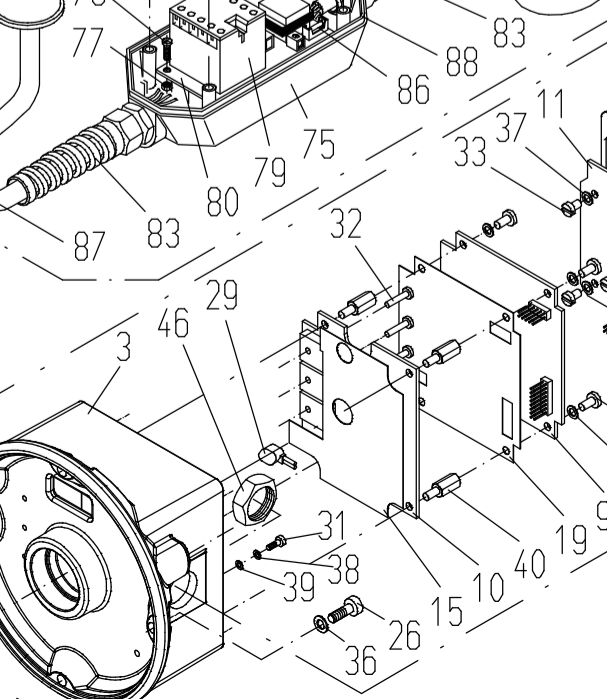
94



TYP DK42A/DK42B/DK52



TYP DK42E/DK52E



WEKA

050422

**Spare Parts Price List - Diamond Core Drill
Type DK42 B,E (L,S) - Motor**

EPE-DK4B,E

FIG	NO	DESCRIPTION	STANDARD	TYPE	PART NO
1	1	Motor case			DK40101
2	1	Intermediate Flange cpl. with O-Ring			DK50102C
3	1	Motor Top Hood cpl. with Fig. 15		DK4E	DK50103C
	1	Motor Top Hood cpl. with Fig. 15			DK40103AC
4	1	Case Sleeve			DK40104
5	1	Switch Cover cpl. with Fig. 8		DK4E	DK50106C
	1	Terminal Case Cover			DK20106
6	1	Rotor with Bearings			DK40108B
7	1	Stator.400V			DK40109A
	1	Stator 230V			DK40109/23
	1	Stator 230V/60Hz		DK42B-USA	DK40109A/236
	1	Stator 460V/60Hz		DK42B-USA	DK40109A
8	1	Keypad		DK4E	DK50570
9	1	Power Supply Board		DK4E	DK40514
10	1	Powerboard		DK4E	DK40512
11	1	Displayboard		DK4E	DK40518
13	1	Cord Angle cpl. with O-Ring			DK40140-1C
15	1	Terminal Case Insulation		DK4E	DK50119
	1	Terminal Case Insulation			DK40120
16	1	Carrying Handle		DK4E	DK50105
	1	Carrying Handle			DK30105
17	1	Rotary Shaft Seal	20x32x7		5020327
18	1	Terminal Case Sealing		DK4E	DK50122
	1	Terminal Case Sealing			DK40122
19	1	Terminal Case Insulation		DK4E	DK50121
20	1	Ball Bearing	6202 ZZ		6062022
21	1	Ball Bearing	6004 ZZ		6060042
22	1	Compensation Washer			2641301
23	1	O-Ring	RDR 135x2		5513502
24	2	O-Ring	RDR 127x4		5512704
25	1	O-Ring	RDR 11x2,5		5511025
26	4	Hex. Soc. Head Screw	M6x20		0106020
27	2	Hex. Soc. Head Screw	M6x75	DK4E	0106075
	2	Hex. Soc. Head Screw	M6x35		0106035
28	4	Fill. Head Screw	M4x12		0204012
29	1	Thermal Switch		DK4E	8050100
30	4	Rounded Head Screw	M4x8	DK4E	0304008
31	1	Slot. Pan Head Screw	M4x6		0304006
32	3	Rounded Head Screw	M3x14	DK4E	0303014
33	5	Cheese Head Screw	M4x6	DK4E	0294006
34	4	Round Head Grooved Pin	2,6x4		2226004
	4	Round Head Groov. Pin	2,3x4		2223004
36	4	Sealing Washer	6		1806001
37	9	Locking washer	SM4	DK4E	1804000
38	1	Curved Spring Washer	A4		1804137
39	1	Medium Washer	4,3		1804433
40	4	Distance Bolt	M4x13i/a	DK4E	1504131
44	1	O-Ring	18x2		5518002
45	1	Cord Gland 400 V	M20x1,5		8804020
	1	Cord Gland 230 V	M20x1,5		8804020
46	1	Hexagon Nut	M20x1,5		8806020
47	1	Terminal			8012503
49	1	Double Press Key			8039205
50	1	Switch Element			8039207
51	1	Cord 400-480V		DK4E	8740154
	1	Cord AWG 18/7 400-480V			8740107
	1	Cord AWG 16/7 230V			8740157
52	1	Key Diaphragm			8039215
55	1	Ball Valve			7014001
57	1	Quick Connect Nipple with O-Ring			DK20225
58	2	Angle Screwing			7015005
59	9	Sealing Ring	G 1/4"		7014003
60	1	Double Nipple	G 1/4"		7014002
62	1	Flexible Hose			7068325
65	1	Angle Screwing	G 1/4"		7015010
67	1	Mains Plug	CEE 16A6h5P		8016005

**Spare Parts Price List - Diamond Core Drill
Type DK42 B,E (L,S) - Gear**

FIG	NO	DESCRIPTION	STANDARD	TYPE	PART NO
90	1	Gear Box			DK30201
91	1	Water Supply Bush			DK20202
92	1	Gear Change Grip cpl. with Fig. 129, 149			DK20203C
93	1	Gear Change Lever cpl. with Parallel Pin			DK30205C
94	1	Drilling Spindle cpl. with Fig. 106, 142			DK30206C
95	1	Gear Change Shaft			DK20207
	1	Gear Change Shaft		Type S	DK20207S
	1	Gear Change Shaft		Type L	DK50207
96	1	Pinion Shaft			DK30208
97	1	Spur Wheel			DK52209
98	1	Gear Wheel 1			DK30212
99	1	Gear Wheel 3			DK30213
100	1	Slide Gear Wheel			DK30214
101	1	Spindle Wheel			DK50215S
	1	Spindle Wheel		Type L	DK50215
	1	Spindle Wheel		Type S	DK50215HS
103	1	Supporting Disk			DK40217
104	2	Brake Disk			DK30218
105	5	Pressure Disk			DK30219
106	2	Protective Sleeve			DK20210
107	4	Brake Disk B			DK30221
109	1	Pressure Ring			DK50216
112	1	Feed Worm			DK50230
115	1	Needle Cage			6326130
119	1	Needle Bearing			6349000
120	1	Ball Bearing	6302		6063020
121	1	Ball Bearing	6201		6062010
122	1	Needle Bearing			6330200
123	1	Needle Bush			6314120
124	1	Needle Bush			6320160
125	1	Thrust Ball Bearing			6551106
126	1	Thrust Needle Cage			6530470
127	1	Thrust Bearing Washer			6530471
128	1	O-Ring	RDR102x3		5510203
129	1	O-Ring	RDR20x3		5520003
131	1	Rotary Shaft Seal	40x52x7		5040527
132	1	Rotary Shaft Seal	38x50x7		5038507
133	1	Rotary Shaft Seal	40x52x7S		5040521
140	6	Disk Spring			4045224
141	1	Pressure Spring			4305235
142	1	Ball	5		2205000
143	2	Ball	4		2204000
144	1	Parallel Key	A6x6x45		3006045
146	1	Parallel Key	A4x4x10		3004010
147	1	Parallel Pin	6m6x10		2506010
148	1	Parallel Pin	5m6x15		2505015
149	1	Parallel Pin	3m6x16		2503016
150	1	Shim Ring	PS14x20x1		1914201
151	1	Retaining Ring	16x1		3516001
152	1	Retaining Ring	SW20		3620000
160	1	Hexagon Nut	M22x1,5		1022015
161	3	Hex. Soc. Head Screw	M6x35		0106035
162	1	Hex. Soc. Head Screw	M5x12		0105012
163	3	Hex. Soc. Head Screw	M5x45		0105045
164	3	Locking Washer	SM6		1806000
165	1	Locking Washer	SM5		1805000
171	1	Gear Oil	400 ml		9040001
175	1	Antifriction-Element			AE35
176	2	O-Ring	32x1,5		5532015

Spare Parts Price List - Diamond Core Drill Type DK42 B (L,S) - Cable case

FIG	NO	DESCRIPTION	STANDARD	TYPE	PART NO
75	1	Cable case compl. with Fig.83, 85, 88 without Fig. 79, 80			DK50150C
76	2	Fill. Head Screw	M4x12		0204012
77	2	Hexagon Nut	M4		1004000
79	1	Contactora			8039230
80	1	Print Plate cpl. with Fig. 86 without Contactora	400V/460V		DK40520C
		Print Plate cpl. with Fig. 86 without Contactora	230V		DK40520/23C
83	3	Cord Gland	400V/230V		8804020
85	4	Tapping Screw	4,8x32		0548032
86	1	Fuse	32 mA mT		8052020
87	1	Cord	4G1,5x0,5		8705154
88	2	O-Ring	RDR160x2		5516002

* parts are substituted

The prices listed are gross prices in € per item, plus statutory Value added tax.

When ordering spare parts, please always state: machine number, quantity, designation, spare part number and, for electrical parts, the nominal voltage (if different from 230 V).

WEKA Elektrowerkzeuge KG, Auf der Höhe 20, D 75387 Neulach - Altbulach
 Telephone: +49 7053 96816-0, spare parts: +49 7053 96816-14 · Telefax: +49 7053 3138
 Internet: www.weka-elektrowerkzeuge.de · E-mail: weka@weka-elektrowerkzeuge.de

Subject to change