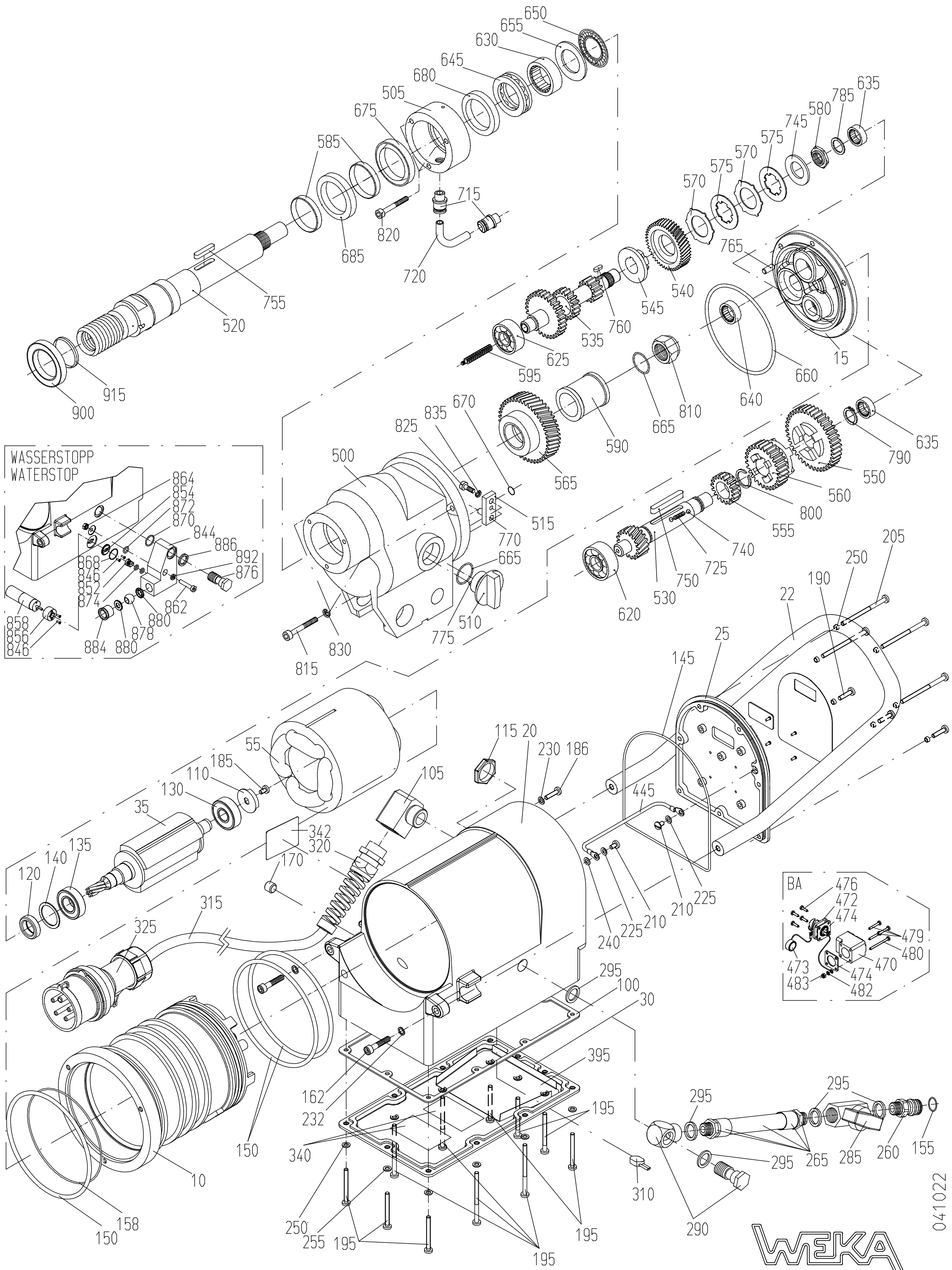


DIAMANT - KERNBOHRMASCHINE TYP SR 68
 DIAMOND - CORE DRILL TYPE SR 68



WEKA

041022

**Spare Parts Price List - Diamond Core Drill
Type SR 65/68/75 - Motor**

EPE-SR7

FIG	NO	DESCRIPTION	STANDARD	TYPE	PART NO
10	1	Motorcase			SR30101
15	1	Intermediate Flange cpl. with O-Ring		SR65/ SR75	SR70102C
	1	Intermediate Flange cpl. with O-Ring		SR68	SR30102C
20	1	Case Sleeve			SR30104-1
20	1	Case Sleeve for autofeed			SR30104 BA
20	1	Case Sleeve for waterstop			SR30104W
20	1	Case Sleeve for autofeed and WS			SR30104 BAW
22	1	Carrying Holder			SR30105
25	1	Switch Cover cpl. with keypad pos. 145, 379, 382, 384,			SR60133C
	1*	Switch Cover for On/Off button			SR30133
30	1	Terminal Case Cover cpl.			SR30135-1C
35	1	Rotor compl.		SR65/SR75	SR70108
	1	Rotor compl.		SR68	SR30108
55	1	Stator compl.			SR70109
100	1	Terminal Case Sealing			SR30122
105	1	Cable Angle cpl. with O-Ring	M20x1,5		DK40140-1C
110	1	Sensor-Disc			SR30118
112	1	Spacer			SR70536
115	1	Hexagon Nut	M20x1,5		8806020
120	1	Rotary Shaft Seal	14x24x7		5014247
130	1	Ball Bearing	6201 2Z		6062012
135	1	Ball Bearing	6002 2RS		6060022
140	1	Compensation Washer			2632201
145	1	O-Ring	RDR135x2		5513502
150	3	O-Ring	RDR110x4		5511004
153	2*	O-Ring	RDR20x1,5		5520015
155	1	O-Ring	RDR11x2,5		5511025
158	1	O-Ring	RDR107x1,5		5510715
160	2*	Hex. Socket Head Screw	M6x20		0106020
162	2	Hex. Socket Head Screw	M6x25		0106025
170	1	Locking Screw	R1/8"		7018008
175	6	Cheese head screw	M3x8		0303008
180	10	Cheese head screw	M3x14		0303014
185	8	Cheese head screw	M4x8		0304008
186	2	Cheese head screw	M4x12		0204012
187	4	Cheese head screw	M4x14		0304014
190	6	Cheese head screw	M4x16		0304016
195	11	Cheese head screw	M4x40		0204040
200	2*	Cheese head screw	M4x45		0304045
205	4	Cheese head screw	M4x60		0304060
210	1	Slot. Pan Head Screw	M4x6		0304006
215	1*	Slot. Count. Head Screw	M5x16		0405016
220	1*	Hexagon Nut	M5		1005000
225	3	Curved Spring Washer	A4		1804137
230	6	Locking Washer	SM4		1804000
232	2	Locking Washer	SM6		1806000
240	1	Medium Washer	4,3x8 Ms		1804433
247	1	Retaining Ring	15x1		3515001
250	18	Sealing Washer	M4		1804001
255	2*	Sealing Ring	6x1		1806002
260	1	Quick Connect Nipple			DK20225
265	1	Hose Piece cpl. w. nipples			DK30235
285	1	Ball Valve			7014001
290	1	Angle Screwing	G1/4"		7015010
295	5	Sealing Ring	G1/4"		7014003
300	1*	On-Button			8011313
305	1*	Off-Button			8011221
310	1	Thermal Switch			8050100
315	1	Cord			8740154
320	1	Cord Gland	M20x1,5		8804020
325	1	Mains Plug	CEE 16A6h5P		8016015
335	1*	Carrying Handle			8910050
340	2	Desiccation Bag	geklebt		7040601
342	1	Name Plate			DK30601.2

Type SR 65/68/75 - Electronic

FIG	NO	DESCRIPTION	STANDARD	TYPE	PART NO
350	1	Control Board		SR65	SR60510-1
	1	Control Board		SR65S	SR60510-1S
	1	Control Board		SR65BAW	SR60510-1BAW
	1	Control Board		SR65 480V	SR60510/48-1
	1	Control Board		SR65BAW	SR60510/48-1BAW
	1	Control Board		SR65DI	SR60510-1DI
	1	Control Board		SR68	SR68510-1
	1	Control Board		SR68 480V	SR68510/48
	1	Control Board		SR68BAW	SR68510BAW
	1	Control Board		SR68BAW	SR68510/48BAW
	1	Control Board		SR68DI	SR68510DI
	1*	Control Board		SR75 Taster	SR70510
	1*	Control Board		SR75S Taster	SR70510S
	1	Control Board		SR75	SR70510-1
	1	Control Board		SR75BAW	SR70510-1BAW
	1	Control Board		SR75S	SR70510-1S
	1	Control Board		SR75SBAW	SR70510-1SBAW
	1	Control Board		SR75 480V	SR70510/48-1
	1	Control Board		SR75BAW	SR70510/48-1BAW
	1	Control Board		SR75S 480V	SR70510/48-1S
	1	Control Board		SR75DI	SR70510-1DI
355	1	Power Board cpl. with Thermo Film			SR70512
356	1*	Microcontroller			8644422
357	1*	GAL			8628201
360	1	Power Supply Board			SR70514-1
	1	Power Supply Board		480V	SR70514/48-1
	1*	Power Supply Board			SR70514
365	1	Sensor Board			SR30516
368	1	I/O - Board			SR60518-1
	1	I/O - Board		SR BA	SR60518-1BA
	1	I/O - Board		Inch	SR60518-1I
384	1	Keypad			SR60570
385	2	Thermo Film			SR70520
390	1	Insulation Film			SR30522-2
395	1	Lid Insulation			SR30526
400	8	Insulation Bush			SR30530
402	1	Distance Bush			SR70532
404	1	Distance Bush			SR70534
410	1	Strand Kit - I/O Board			SR30544
	1*	Strand Kit - ON-OFF Button	2x2 green/red		SR70540
415	1	Strand Kit - Sensor	4 green		SR30542
430	1	Strand PS-PB+	2,5 ² x105 red		SR30550-1
	1	Strand - Cross Rectifier +	2,5 ² x65 red		SR70550
435	1	Strand PS-PB-	2,5x85 black		SR30552-1
	1	Strand - Cross Rectifier -	2,5 ² x75 black		SR70552
440	3*	Strand - Cross Rectifier ~1	2,5 ² x125 blue		SR30554
445	1	PE Strand	gn/ye		SR30558
455	1*	Cross Rectifier			8035100

Spare Parts Price List - Diamond Core Drill Type SR 65/68/75 - Feed Control

FIG	NO	DESCRIPTION	STANDARD	TYPE	PART NO
469	1	Feed Control Board		SR6/7 BA	SR60519
470	1	Bulkhead Angle		SR2-7 BA	SR30142BA
472	1	Bulkhead Case cpl. with gasket and strands	2P+PE 50V/16A	SR2-7 BA	8016103
473	1	Protection Hood		SR2-7 BA	8010503
474	2	Flange Gasket		SR2-7 BA	5325005
476	4	Cheese Head Screw	M3x10	SR2-7 BA	0303010
479	3	Cheese Head Screw	M3x35	SR2-7 BA	0303035
480	1	Cheese Head Screw	M3x40	SR2-7 BA	0303040
482	1	Locking washer	SM3	SR2-7 BA	1803000
483	1	Hexagon Nut	M3	SR2-7 BA	1003000
485	1	Strand Kit - Dataline	8x0,25 ²	SR2-7 BA	SR30548
487	1	Strand Kit - Power/LP	2x0,75 ²	SR2-7 BA	SR30549
489	4	Hexagon Spacer Bolt	M4x24	SR2-7 BA	1504224

**Spare Parts Price List - Diamond Core Drill
Type SR 65/68/75 - Waterstop**

FIG	NO	DESCRIPTION	STANDARD	TYPE	PART NO
		Waterstop		SR2-7	SR3060
842	1	Board Waterstop		SR2-7	SR30521
844	1	Valve Case cpl. with fig. 878, 880, 884		SR2-7	SR30650C
852	1	Interlinking Shaft		SR2-7	SR30652C
854	1	Seal Disk		SR2-7	SR30654
856	1	Reinforcing Bush		SR2-7	SR30656
858	1	DC-Planet Gear Drive		SR2-7	9924080
846	4	Countersunk Flat Head Screw	M2x6z	SR2-7	0402006
862	1	Hexagon Socket Screw	M5x25	SR2-7	0205025
864	1	Hexsagon Set Nut	M5	SR2-7	1005005
868	1	O-Ring	RDR15x1	SR2-7	5515001

870	1	O-Ring	RDR14x1,5	SR2-7	5514015
872	1	O-Ring	RDR7x1,5	SR2-7	5507015
874	2	O-Ring	RDR5x1,5	SR2-7	5505015
876	1	Hollow Bolt	G1/4"	SR2-7	SR30662
	1*	Hollow Bolt		SR2-7	7014037
878	1	Ball		SR2-7	SR30660
880	2	Seal Disk		SR2-7	SR30658
884	1	Reducing Nipple		SR2-7	SR30664
886	2	Sealing Ring	G1/4"	SR2-7	7014003
888	3	Distance Bolt	M3x10 i/a	SR2-7	1503102
890	3	Cr. Recessed Cheese Head Screw	M3x6	SR2-7	0203006
892	1	Sealing Disk	M5	SR2-7	1805001

Spare Parts Price List - Diamond Core Drill Type SR 65 - Gear

FIG	NO	DESCRIPTION	STANDARD	TYPE	PART NO
500	1	Gear Box			SR60201
505	1	Bearing Case			SR70204
515	1*	Carrying Holder			SR60228
520	1	Drill Spindle cpl. with fig. 615, 1 1/4" UNC			SR70206C
	1	Drill Spindle cpl. with fig. 615, M33/3			SR70206.8C
525	1	Sleeve			AE70230
530	1	Pressure Ring			AE70235
535	1	Gear Shaft			SR60207
540	1	Pinion Shaft			SR60208
545	1	Spur Wheel			SR30209
550	1	Bearing Bush			SR30221
555	1	Gear Wheel			SR60212
570	1	Spindle Wheel			SR70215S
575	2	Brake Disk			SR30218
580	2	Pressure Disk			SR30219
585	1	Hexagon Nut			SR30220-2
590	4	Planet Wheel			SR70218
595	1	Sun Shaft			SR60220
600	1	Hollow Wheel			SR70222
605	1	Planet-Wheel Carrier cpl. w. pins			SR70224C
610	1	Carrier Disk			SR70226
615	2	Shaft Wearing Sleeve			SR70210
620	1	Feed Worm, after serial no. 2011..			SR60230
	1*	Feed Worm			SR30230
623	1	Blocking washer, after serial no. 2011..			SR30232
625	1	Ball Bearing	6302		6063020
630	1	Ball Bearing, after serial no. 2011..	6201Z		6062011
	1*	Ball Bearing	6201		6062010
635	1	Needle Bearing	NKS43		6343580
640	1	Needle Bearing	NKS45		6345600
645	1	Needle Bearing			6349000
650	1	Needle Bush	HK1412		6314120
655	1	Needle Bush	HK2016		6320160
660	1	Needle Bush	HK3512		6335120
665	4	Needle Cage	K14x18x17		6414187
670	1	Thrust Needle Bearing	AXK5070		6550700
675	1	Thrust Needle Bearing	AXK4060		6540600
680	1	Thrust Needle Bearing	AXK2035		6520350
685	2	Thrust Bearing Washer	AS5070		6550701
690	1	Thrust Bearing Washer	AS4060		6540601
695	2	Thrust Bearing Washer	AS2035		6520351
700	1	Washer disc	LS4060		6540603
705	1	O-Ring	RDR102x3		5510203
710	2	O-Ring	RDR96x3		5596003
715	1	O-Ring	RDR45x1,5		5545015
	1*	O-Ring	RDR42x1,5		5542015
730	1	O-Ring	RDR28x1,5		5528015
735	1	O-Ring	RDR9x3		5509003
740	2	Damper	D5x5		4550005
745	1	Rotary Shaft Seal	AS45x60x7		5045601
750	4	Rotary Shaft Seal	A45x60x7		5045607
755	2	Quick Connect Nipple	G1/4"/8		7014668
760	1	Junction Hose	5/8x100		7058100
775	1	Disk Spring	31,5x16,3x2		4031162
780	1	Parallel Key	A6x6x14		3006014

785	1	Parallel Key	A6x6x20		3006020
790	1	Parallel Key	A4x4x10		3004010
795	4	Parallel Pin	14m6x36		2514036
800	2	Parallel Pin	6m6x20		2506020
810	1*	Shim Ring omitted, effective from serialno.:	PS14x20x1		1914201
	2*	Shim Ring	PS14x20x1		1914201
812	1	Shim Ring after serial no.: 0313..	35x14x1		SR30217

Spare Parts Price List - Diamond Core Drill Type SR 65 - Gear

FIG	NO	DESCRIPTION	STANDARD	TYPE	PART NO
815	3	Retaining Ring	J60x2,0		3460002
825	1	Retaining Ring	26x1,2		3526012
830	1	Retaining Ring	AV18		3518112
840	3	Hex. Soc. Head Screw	M6x35 8.8		0106035
845	5	Hex. Soc. Head Screw	M6x35 12.9		0116035
850	6	Hex. Soc. Head Screw	M5x20		0115020
855	4	Hex. Sock. Count. Head Screw	M5x12		0405012
860	8	Locking Washer	SM6		1806000
865	2*	Locking Washer	SM5		1805000
871	1	Gear Oil, after serial no. 2011..	300ml	SR65	9030004
	1*	Gear Oil	250ml	SR65	9025004
900		Antifriction-Element	for M33/3		AE60
905		O-Ring	33x1,5		5533015

Spare Parts Price List - Diamond Core Drill Type SR 65 S - Gear

FIG	NO	DESCRIPTION	STANDARD	TYPE	PART NO
1	1	Gear cpl.	Gearparts s.		SR2520

Spare Parts Price List - Diamond Core Drill Type SR SR 68 - Gear

FIG	NO	DESCRIPTION	STANDARD	TYPE	PART NO
1	1	Gear cpl.	Gearparts s.		SR3820

Spare Parts Price List - Diamond Core Drill Type SR 75 - Gear

FIG	NO	DESCRIPTION	STANDARD	TYPE	PART NO
500	1	Gear Box			SR70201
505	1	Bearing Case			SR70204
510	1	Gear Change Grip with Pin, O-Ring, Magnet and Bush			SR70203.1C
520	1	Drill Spindle cpl. with fig. 615, 1 1/4" UNC			SR70206C
	1	Drill Spindle cpl. with fig. 615, M33/3			SR70206.8C
525	1	Sleeve			AE70230
530	1	Pressure Ring			AE70235
535	1	Gear Change Shaft			SR70207
	1	Gear Change Shaft		Type S	SR70207S
540	1	Pinion Shaft			SR30208-1
545	1	Spur Wheel			SR30209
550	1	Bearing Bush			SR30221
555	1	Gear Wheel 1			DK30212
560	1	Gear Wheel 3			DK30213
565	1	Slide Gear Wheel			DK30214
570	1	Spindle Wheel			SR70215
	1	Spindle Wheel		Type S	SR70215S
575	2	Brake Disk			SR30218
580	2	Pressure Disk			SR30219
585	1	Hexagon Nut			SR30220-2
590	4	Planet Wheel			SR70218
595	1	Sun Shaft			SR70220
600	1	Hollow Wheel			SR70222
605	1	Planet-Wheel Carrier cpl. w. pins			SR70224C
610	1	Carrier Disk			SR70226

615	2	Shaft Wearing Sleeve			SR70210
620	1	Feed Worm, after serial no. 0717			SR30230-3
	1*	Feed Worm			DK50230
	1*	Feed Worm			SR30230

Spare Parts Price List - Diamond Core Drill Type SR 75 - Gear

FIG	NO	DESCRIPTION	STANDARD	TYPE	PART NO
623	1	Blocking Washer, from serial no. 0717			SR30232
625	1	Ball Bearing	6302		6063020
630	1	Ball Bearing, after serial no. 0717	6201Z		6062011
	1*	Ball Bearing	6201		6062010
635	1	Needle Bearing	NKS43		6343580
640	1	Needle Bearing	NKS45		6345600
645	1	Needle Bearing			6349000
650	1	Needle Bush	HK1412		6314120
655	1	Needle Bush	HK2016		6320160
660	1	Needle Bush	HK3512		6335120
665	4	Needle Cage	K14x18x17		6414187
670	1	Thrust Needle Bearing	AXK5070		6550700
675	1	Thrust Needle Bearing	AXK4060		6540600
680	1	Thrust Needle Bearing	AXK2035		6520350
685	2	Thrust Bearing Washer	AS5070		6550701
690	1	Thrust Bearing Washer	AS4060		6540601
695	2	Thrust Bearing Washer	AS2035		6520351
700	1	Washer disc	LS4060		6540603
705	1	O-Ring	RDR102x3		5510203
710	2	O-Ring	RDR96x3		5596003
715	1	O-Ring	RDR42x1,5		5542015
720	1	O-Ring	RDR36x3		5536003
730	1	O-Ring	RDR28x1,5		5528015
735	1	O-Ring	RDR9x3		5509003
740	2	Damper	D5x5		4550005
745	1	Rotary Shaft Seal	AS45x60x7		5045601
750	4	Rotary Shaft Seal	A45x60x7		5045607
755	2	Quick Connect Nipple	G1/4"/8		7014668
760	1	Junction Hose	5/8x110		7058110
765	1	Pressure Spring			4305235
770	2	Ball	RB4		2204000
775	1	Disk Spring	31,5x16,3x2		4031162
780	1	Parallel Key	A6x6x45		3006045
785	1	Parallel Key	A6x6x20		3006020
790	1	Parallel Key	A4x4x10		3004010
795	4	Parallel Pin	14m6x36		2514036
800	2	Parallel Pin	6m6x20		2506020
805	1	Parallel Pin	5m6x25		2505025
810	1*	Shim Ring omitted, effective from serialno.:	PS14x20x1		1914201
	2*	Shim Ring	PS14x20x1		1914201
812	1	Shim Ring after serial no.: 0313030	14x35x1		SR30217
815	3	Retaining Ring	J60x2,0		3460002
820	1	Retaining Ring	42x1,75		3542175
825	1	Retaining Ring	26x1,2		3526012
830	1	Retaining Ring	16x1		3516001
835	1	Retaining Ring	SW20		3620000
840	3	Hex. Soc. Head Screw	M6x35 8.8		0106035
845	5	Hex. Soc. Head Screw	M6x35 12.9		0116035
850	6	Hex. Soc. Head Screw	M5x20		0105020
855	4	Hex. Sock. Count. Head Screw	M5x12		0405012
860	10	Locking Washer	SM6		1806000
871	1	Gear Oil	500ml	SR75	9050004
900	1	Antifriction-Element	for M33/3		AE60
905	1	O-Ring	33x1,5		5533015

* parts are substituted

The prices listed are gross prices in € per item, plus statutory Value added tax.

When ordering spare parts, please always state: machine number, quantity, designation, spare part number and, for electrical parts, the nominal voltage (if different from 230 V).

WEKA Elektrowerkzeuge KG, Auf der Höhe 20, D 75387 Neubulach - Altbulach
 Telephone: +49 7053 96816-0, spare parts: +49 7053 96816-14 · Telefax: +49 7053 3138
 Internet: www.weka-elektrowerkzeuge.de · E-mail: weka@weka-elektrowerkzeuge.de

Subject to change