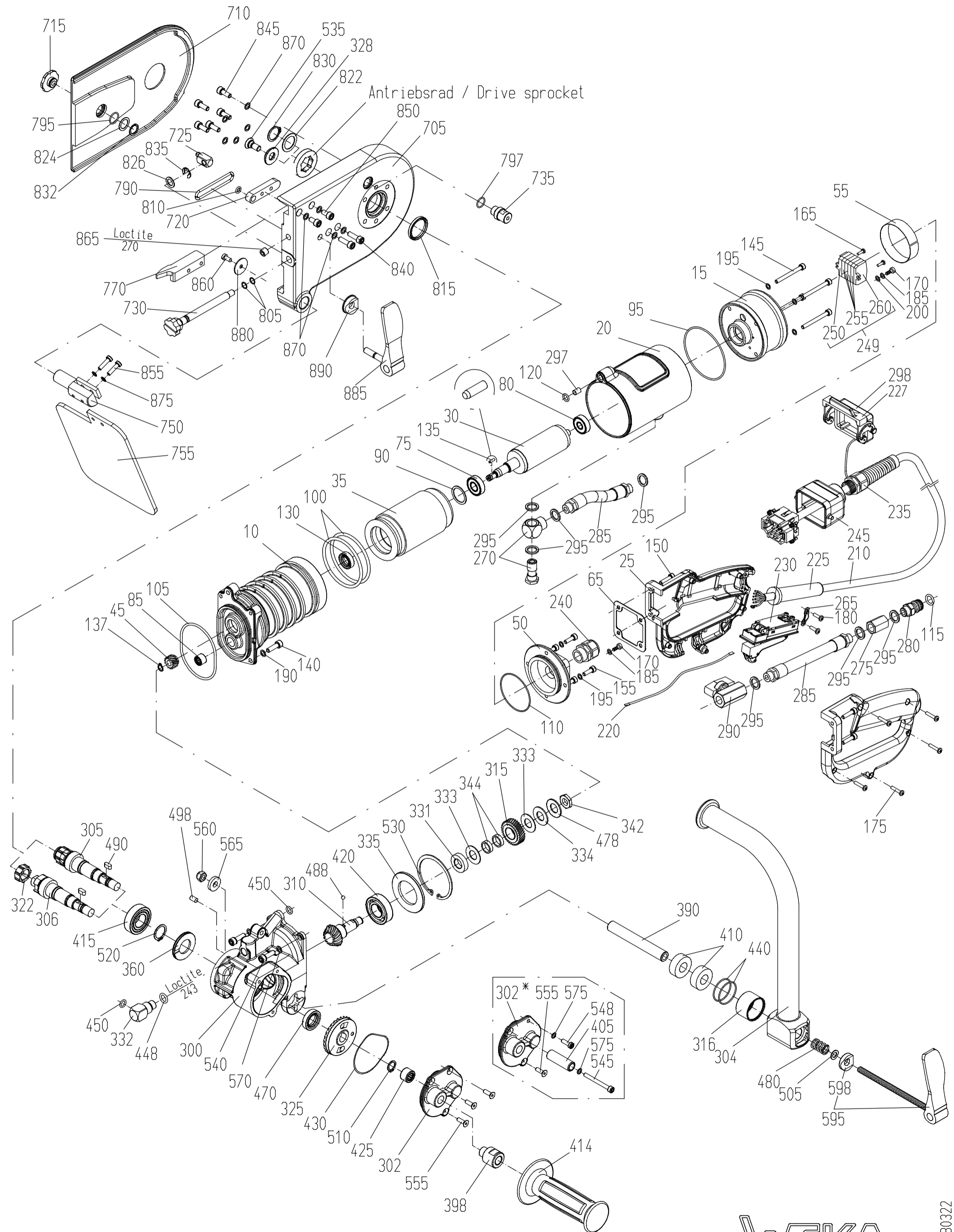


Diamant - Kettensäge TYP TK 40  
 Diamond - Chain Saw TYPE TK 40



**Spare Parts Price List - Diamond - Chain Saw  
Type TK 40 - Motor**

EPE-TK40

FIG	NO	DESCRIPTION	STANDARD	TYPE	PART NO
10	1	Motorcase			TK40101
15	1	Motor Top Case			TS40103
20	1	Case Sleeve			TS40104
25	1	Switch Handle cpl.			TS40105
30	1	Rotor with Bearings			TK40108
35	1	Stator cpl.			TS40109
45	1	Rotor Pinion			TK40113
50	1	Motor Top Case Hood incl. Fig. 65, 110			TS40128C
55	1	Insulation Film			TS40522
65	1	Terminal Case Packing			DK10122
75	1	Ball Bearing			6060011
80	1	Ball Bearing			6062902
85	1	Needle Bush	BK1010		6310101
90	1	Compensation Washer			2628171
95	1	O-Ring	RDR78X2		5578002
100	2	O-Ring	RDR74X4		5574004
105	1	O-Ring	RDR72X2		5572002
110	1	O-Ring	RDR55X2		5555002
115	1	O-Ring	RDR11x2,5		5511025
120	1	O-Ring	RDR8x2		5508002
130	1	Rotary Shaft Seal	RWD12x24x7A		5012247
135	1	Parallel Pin			2503010
137	1	Retaining Ring	8x0,8		3508008
140	2	Hex. Socket Head Screw	M6x20		0106020
145	4	Hex. Socket Head Screw	M5x50		0105050
150	4	Hex. Socket Head Screw	M5x20		0115020
155	4	Hex. Socket Head Screw	M5x16		0105016
165	2	Cheese head screw	M3x10		0303010
170	2	Sl. Pan Head Screw	M4x6		0304006
175	5	Pan Head Tapping Screw	F3,9x19 (BZ)		0539019
180	2	Pan Head Tapping Screw	F3,9x13 (BZ)		0539013
185	2	Curved Spring Washer	A4		1804137
190	2	Locking Washer	SM6		1806000
195	8	Locking Washer	SM5		1805000
200	1	Medium Washer	4,3x8x0,5 Ms		1804433
210	1	Cord cpl. with male insert, Pos. 225,235,240,245,298	6G1,5x4,4 10P		8744511
220	1	Switch Strand	1,5²x200		8715202
225	1	Cord Sleeve	D12		8701200
227	1	Handle for Socket Case			8006001
230	1	Motor Switch			8010201
235	1	Cord Gland	M20x1,5 7-13		8820152
240	1	Cord Gland	M20x1,5 6x2,5		8862520
245	1	Hood	6B EMV		8016106
249	1	Terminal Block cpl. with marking (fig.250,255,260)			7924300
250	1	End Terminal Block with Fixing Flange			7924301
255	4	Center Terminal Block			7924321
260	1	End Plate with Fixing Flange			7900361
265	1	Cord Clamping Piece			8800010
270	1	Angle Screwing	G 1/4"		7015010
275	1	Socket			7014026
280	1	Quick Connect Nipple			DK20225
285	2	Hose Piece cpl. with nipples			DK30235
290	1	Ball Valve			7014041
295	7	Sealing Ring	G1/4"		7014003
297	1	Fixing Sleeve			HS40222
298	1	Protective Hood			8016504

## Spare Parts Price List - Diamond - Chain Saw Type TK 40 - Gear

FIG	NO	DESCRIPTION	STANDARD	TYPE	PART NO
300	1	Gear Box incl. Fig. 332, 448, 2x450, 498			TK40201C
302	1	Bearing Hood inkl. Fig. 425, 430			TK40203C
304	1	Handle cpl.			TK40205C
305	1*	Spindle			TK40206
306	1	Spindle	> 07 / 2020		TK40206.2
310	1	Pinion Shaft			TK40208
315	1	Spur Wheel			TK40209
316	1	Sleeve			TS40210
322	1	Tooth Sleeve	> 07 / 2020		TK40214.2
325	1	Spindle Wheel			TK40215
328	1	Countersunk Washer	> 07 / 2020		TK40216.2
331	1	Supporting Disc			TK40217
332	1	Hollow Screw			TK40218
333	2	Brake Disc			DK10218
334	1	Pressure Disk			DK10219
335	1	Pressure Disk			TS40219
342	1	Hexagon Nut			TK40220
344	2	Bearing Socket			DK10221
360	1	Supporting Disk			TS40230
390	1	Handle Axle			TS40250
398	1	Distance Bolt			TK40254
405	1*	Stop Sleeve			TS40258
410	2	Adjust Sleeve			TS40280-1
414	1	Handle			8900014
415	1	Ball Bearing	6004 2RS		6060044
420	1	Ball Bearing	6004		6060040
425	1	Needle Bush	HK1212		6312120
430	1	O-Ring	RDR60x2		5560002
440	2	O-Ring	RDR32x1,5		5532015
448	1	O-Ring	RDR10x2,5		5510025
450	2	O-Ring	RDR8x2		5508002
470	1	Rotary Shaft Seal	RWD16x30x7A	> 04 / 2021	5016301
	1*	Rotary Shaft Seal	RWD16x30x7A		5016307
478	1	Disk Spring			4028142
480	1	Pressure Spring	2,0x12,5x22,5		4320225
488	1	Ball	5		2205000
490	1	Parallel Key	A5x5x12		3005012
498	1	Parallel Pin	6m6x10		2506010
505	1	Shim Ring	PS8x14x1		1908141
510	1	Retaining Ring	13x1		3513001
520	1	Retaining Ring	20x1,2		3520012
530	1	Tapered Retaining Ring	JB62x2,05		3462205
535	1	Countersunk Head Screw	> 07 / 2020		TK40276.2
540	2	Hex. Socket Head Screw	M6x20		0106020
545	1*	Hex. Socket Head Screw	M5x50		0105050
548	1*	Hex. Socket Head Screw	M5x16		0105016
555	3	Count. Head Screw	M5x16		0405016
560	1	Hexagon Nut with prevailing torque insert	M8		1008985
565	1	Medium Washer	8,4x21x4		1821844
570	2	Locking Washer	SM6		1806000
575	2*	Locking Washer	SM5		1805000
595	1	Cam Lever cpl. with Pressure Disc	M8		2708158
598	1	Pressure Disc			2708003
599	1	Gear Oil	90ml		9009004

## Spare Parts Price List - Diamond - Chain Saw Type TK 40 - Chain Case

FIG	NO	DESCRIPTION	STANDARD	TYPE	PART NO
705	1	Chain Case incl. Fig. 790, 815, 865			TK40302C
710	1	Cover			TK40304
715	1	Knurled Nut			TK40308
720	1	Parallel Key			TK40310
725	1	Adjustment Block			TK40312
730	1	Adjustment Screw cpl. w. Fig. 2x805, 826, 835			TK40314C
735	1	Hollow Screw			TK40318
750	1	Splash Guard Holder			TK40326
755	1	Splash Guard			TK40328
770	1	Wall Claw			TK40340
790	1	O-Ring	RDR47x3		5547003
795	1	O-Ring	RDR15x1,5		5515015
797	1	O-Ring	RDR13x1,5		5513015
805	2	O-Ring	RDR8x1		5508001
810	1	O-Ring	RDR6x2		5506002
815	1	Rotary Shaft Seal	RWD28x35x4		5028354
822	1*	Shim Ring	PS20x28x1		1920281
824	1	Shim Ring	PS14x20x0,5		1914205
826	1	Shim Ring	PS10x16x1		1910161
830	1*	Retaining Ring	20x1,2		3520012
832	1	Retaining Ring	AV14		3514001
835	1	Retaining Ring	RA8		3608001
840	2	Hex. Socket Head Screw	M6x20		0106020
845	5	Hex. Socket Head Screw	M6x16		0116016
850	2	Hex. Socket Head Screw	M6x12		0106012
855	2	Hex. Socket Head Screw	M5x20		0205020
860	1	Slotted Cheese Head Screw	M5x10		0205010
865	1	Locking Screw	R1/8"		7018008
870	9	Locking Washer	SM6		1806000
875	2	Locking Washer	SM5		1805000
880	1	KF-Washer	5,3x25x1,25		1825531
885	1	Cam Lever cpl. with Pressure Disc Fig. 890	M8		2708061
890	1	Pressure Disc			2708004

## Spare Parts Price List - Diamond - Chain Saw Type TK 40 - Equipment

FIG	NO	DESCRIPTION	STANDARD	TYPE	PART NO
	1	Wrench SW24, cranked			9800024
	1	Hex.Angle Screwdriver SW6			9818406

## Spare Parts Price List - Diamond - Chain Saw Type TK 40 - Special Parts

FIG	NO	DESCRIPTION	STANDARD	TYPE	PART NO
	1	Male Insert without Male Contacts	10P		8016312
	5	Male Contact	1,5"		8016815
	1	Coding Bridge			TS40540

\* parts are substituted

The prices listed are gross prices in € per item, plus statutory Value added tax.

When ordering spare parts, please always state: machine number, quantity, designation, spare part number and, for electrical parts, the nominal voltage (if different from 230 V).

WEKA Elektrowerkzeuge KG, Auf der Höhe 20, D 75387 Neulach - Altbach  
 Telephone: +49 7053 96816-0, spare parts: +49 7053 96816-14 · Telefax: +49 7053 3138  
 Internet: www.weka-elektrowerkzeuge.de · E-mail: weka@weka-elektrowerkzeuge.de

Subject to change