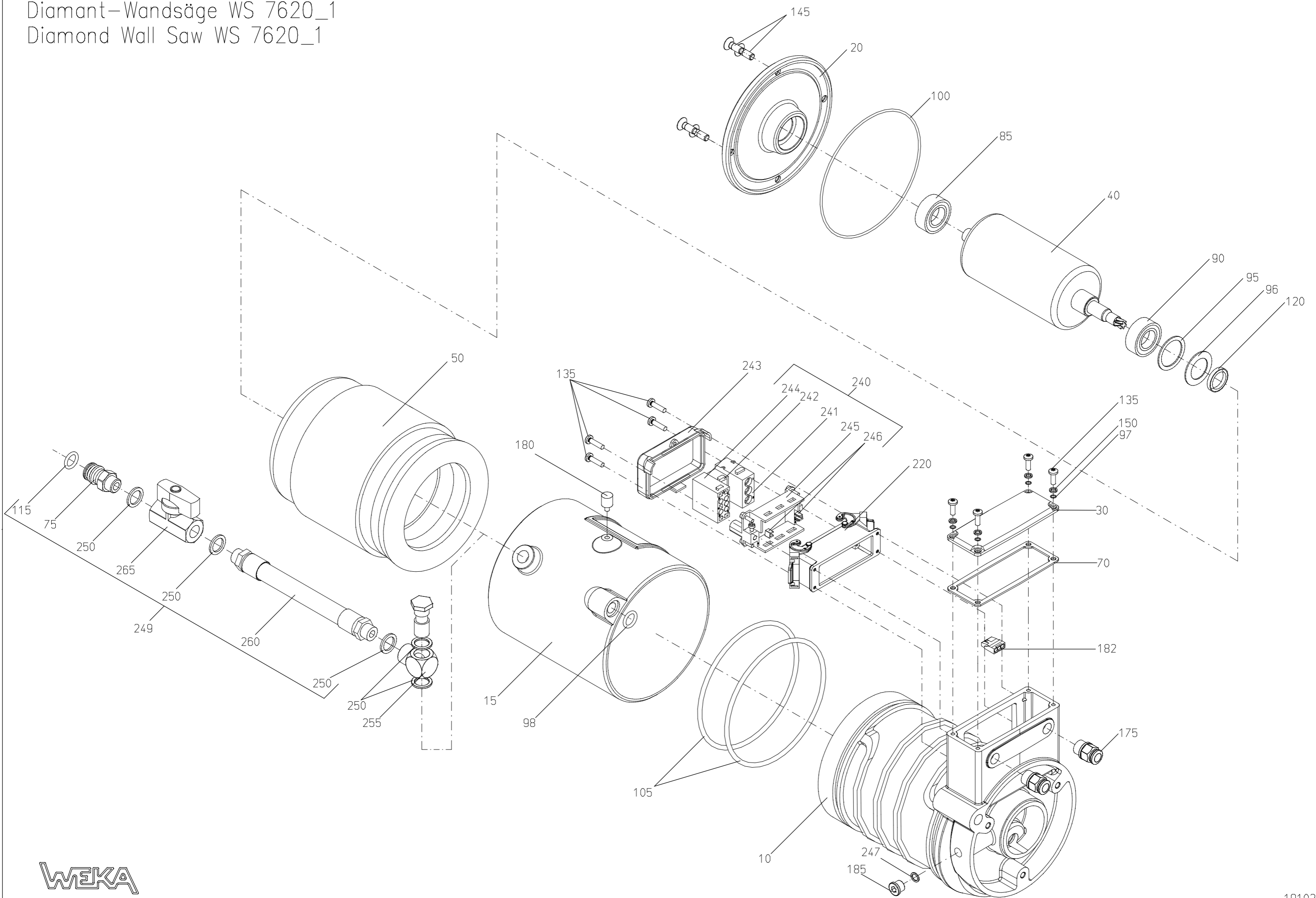
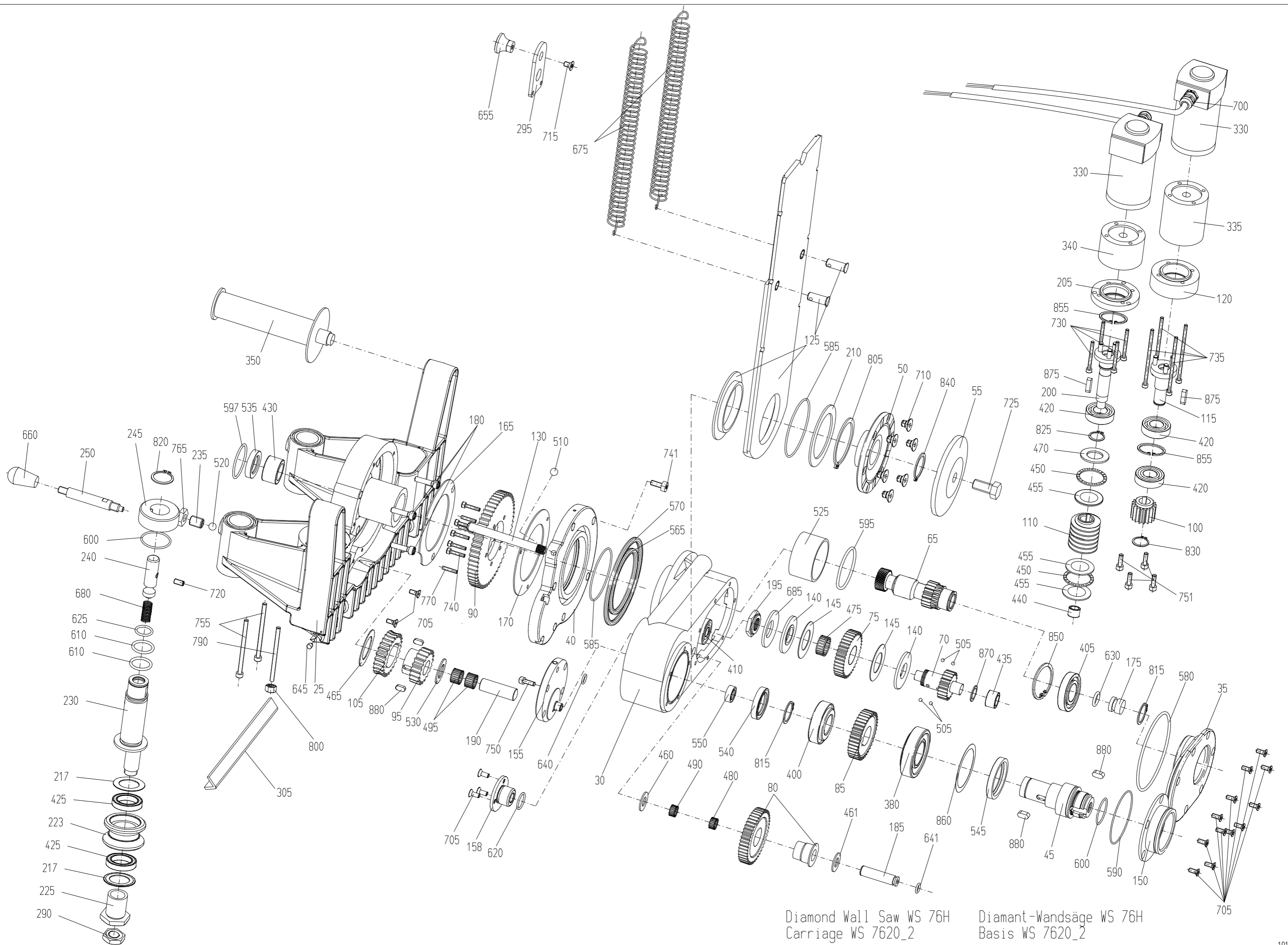


Diamant-Wandsäge WS 7620\_1  
Diamond Wall Saw WS 7620\_1





Diamond Wall Saw WS 76H  
Carriage WS 7620\_2

Diamant-Wandsäge WS 76H  
Basis WS 7620\_2

**Spare Parts Price List - Diamond Electric Wall Saw FRIDA  
Typ WS 76H - Motor**

EPE-WS76H

FIG	NO	DESCRIPTION	STANDARD	TYPE	PART NO
10	1	Motorcase			WS76101
15	1	Motor Sleeve			WS76104
20	1	Top Hood			WS76103
30	1	Terminal Case Cover			WS76106
40	1	Rotor cpl. with Bearings			WS76108
50	1	Stator cpl. with Thermalswitches			DK50109
70	1	Terminal Case sealing			WS76122
75	1	Quick Connect Nipple			DK20225
85	1	Ball Bearing	6201 ZZ		6062022
90	1	Ball Bearing	6002 DU		6060044
95	1	Compensation Washer	26,50x31,70x0,4		2632201
96	1	Shim Ring	22x32x0,3		1922323
97	4	O-Ring	RDR 4x1		5504001
98	1	O-Ring	RDR 10x2		5501002
100	1	O-Ring	RDR 120x2		5512002
105	2	O-Ring	RDR 115x4		5511504
115	1	O-Ring	RDR 11x2,5		5511025
120	1	Rotary Shaft Seal	RWD14x24x7		5014247
135	8	Fill. head screw	M4x12		0204012
145	4	Counter sunk screw	M6x16 SW		0406017
150	4	Sealing ring	4x8x1 Cu		1804002
175	2	Cord Gland	M12x1,5		8800012
180	1	Rubber Buffers	10x6 M4 NBR70		9900543
182	1	Connection Terminal	3P		7922413
185	1	Locking Screw	G1/8" A		7018009
220	1	Bulkhead Mounting with Seal	10B EMV		8016311
240	1	Male Insert cpl.	3P+5P		8016315
241	1	Axial Male Modul	3P Modul		8040393
242	1	Blindmodul			8000601
243	1	Protective Hood			8016510
244	1	Pin insert HAN ES 5P	0,14-2,5qmm		8016395
245	1	Hinged frame			8000303
246	2	Fixation for hinged frame			8000001
247	1	Sealing Ring	G 1/8"		7018003
249	1	Water Connection cpl.			DK3322
250	5	Sealing Ring	G 1/4"		7014003
255	1	Angle Screwing	G 1/4"		7015010
260	1	Hose Piece cpl. w. Nipples	G 1/4"		DK30235
265	1	Ball Valve	G 1/4"		7014001

## Spare Parts Price List - Diamond Electric Wall Saw FRIDA Type WS 76H - Machinebody

FIG	NO	DESCRIPTION	STANDARD	TYPE	PART NO
25	1	Machine Base			WS76202
30	1	Rotation Arm Case			WS80204
35	1	Bearing Lid			WS70206
40	1	Case Lid			WS76208
45	1	Saw Spindle			WS70210
50	1	Spindle Flange			WS70212
55	1	Blade Flange			WS70214
65	1	Driving Shaft			WS76218
70	1	Pinion Shaft			WS80220
75	1	Spur Wheel			WS80222
80	1	Intermediate Wheel			WS80224
85	1	Spindle Wheel			WS80226
90	1	Feed Wheel T			WS70228
95	1	Spur Wheel T			WS70230
100	1	Feed Pinion			WS70232
105	1	Worm Wheel			WS70234
110	1	Gearing Worm			WS70236
115	1	Feed Shaft			WS70238
120	1	Case Flange L			WS70239
125	1	Blade Guard Guideway			WS70240
130	1	Connection Tube			WS76153
140	2	Supporting Disk			WS70246
145	2	Brake Disk			DK30218
150	1	Bearing Ring			WS70248
155	1	Diversion Disk			WS70250
158	1	Axle Lid			WS70251
165	1	Thrust Bearing Washer			WS70254
170	1	Thrust Bearing Washer			WS70255
175	1	Oil Stopper			WS70256
180	3	Locking screw			WS76288
185	1	Axle			WS70260
190	1	Axle			WS70262
195	1	Hexagon Nut			WS70264
200	1	Worm Gear Shaft			WS70266
205	1	Case Flange T			WS70267
210	1	Supporting Ring			WS70268
217	4	Covering Disk			WS70271.2
223	2	Guide Roll			WS70272.2
225	2	Eccentric Bush			WS70273.2
230	2	Eccentric Axle			WS70274
235	2	Sl. Set Screw			WS70276
240	2	Lock Bolt			WS70278
245	2	Set Hub			WS70280
250	2	Set Lever			WS70282
290	2	Hexagon Nut			WS70294
295	1	Thightener			WS70296
305	2	Guide Profile			WS70292
330	2	DC-Motor	48V/55W		DC7010/48
335	1	PL-Gear	Longitut. Feed		PG7023
340	1	PL-Gear	Dip Feed		PG7022
350	2	Handle			8900014
380	1	Taper Roller Bearing	30206		6230206
400	1	Taper Roller Bearing	30205		6230205
405	1	Ball Bearing	6005		6060050
410	1	Ball Bearing	6201		6062010
420	3	Ball Bearing	6003 2RS		6060031
425	4	Ball Bearing	61805 2RS		6068054
430	1	Needle Bush	HK2816		6328160
435	1	Needle Bush	HK1412		6314120
440	1	Needle Bush	HK1010		6310100

## Spare Parts Price List - Diamond Electric Wall Saw FRIDA Type WS76H - Machinebody

FIG	NO	DESCRIPTION	STANDARD	TYPE	PART NO
450	2	Thrust Needle Cage	AXK2035		6520350
455	3	Thrust Bearing Washer	AS2035		6520351
460	1	Thrust Bearing Washer			6512221
461	1	Thrust Bearing Washer	AS1226		6512261
465	1	Thrust Bearing Washer	AS3047		6530471
470	1	Thrust Bearing Washer	LS2035		6520352
475	1	Needle Cage	K20x24x10TN		6420240
480	1	Needle Cage	K12x18x12TN		6412183
490	1	Needle Cage	K12x18x12TN		6412183
495	2	Needle Cage	K15x19x13TN		6415193
505	4	Ball	RB-4		2204000
510	1	Ball	RB-6		2206000
520	2	Ball	RB-9		2209000
525	1	Bearing Bush			6650553
530	1	Starting Disc			6518321
535	1	Rotary Shaft Seal	RWD28x35x4		5028354
540	1	Rotary Shaft Seal	RWD25x40x7A		5025407
545	1	Rotary Shaft Seal	RWD40x52x7A		5040527
550	1	Rotary Shaft Seal	RWD10x20x6A		5010206
565	1	Quadring			4504336
570	1	Quadring			4504346
580	1	O-Ring	96x3		5596003
585	2	O-Ring	72x2		5572002
590	1	O-Ring	65x1,5		5565015
595	1	O-Ring	50x3		5550003
597	1	O-Ring	50x2		5550002
600	3	O-Ring	34x2		5534002
610	4	O-Ring	20x3		5520003
620	1	O-Ring	18x2		5518002
625	2	O-Ring	15x2		5515002
630	1	O-Ring	13x3		5513003
640	1	O-Ring	9x2		5509002
641	1	O-Ring	8x2		5508002
645	2	Rubber Buffers	D15x10 EPDM		9900544
655	1	Waist Shape Grip			8925006
660	2	Switch Grip			8920008
675	2	Extension Spring	2x27x118		4420118
680	2	Compression Spring	1,1x10,9x34		4311034
685	1	Disk Spring	A45x22,4x2,5		4045224
700	2	Cord Screwing	M12x1,5		8800012
705	19	Hex. Sock. Count. Head Screw	M5x12		0405012
710	6	Hex. Sock. Count. Head Screw	M8x10		0408010
715	1	Hex. Socked Head Screw	M6x8		0106008
720	2	Slotted Headless Screw	M6x10		0706010
725	1	Hexagon Head Screw	M12x25		0612025
730	4	Hex. Socked Head Screw	M4x45		0104045
735	4	Hex. Socked Head Screw	M4x70		0104070
740	10	Hex. Socked Head Screw	M5x20		0115020
741	8	Hex. Socked Head Screw	M5x20		0105020
750	4	Hex. Socked Head Screw	M5x12		0105012
751	4	Hex. Socked Head Screw	M5x16		0105016
755	2	Hex. Socked Head Screw	M5x70		0105070
765	2	Hexagon Nut	M12x1,5		1012151
770	4	Parallel Pin	5m6x20		2505020
790	1	Threaded Rod	M5x80		0705080
800	2	Hexagon Nut	M5		1005000
805	1	Retaining Ring	A58x2		3558002
815	2	Retaining Ring	A25x1,2		3525012
820	2	Retaining Ring	A24x1,2		3524012
825	1	Retaining Ring	A17x1		3517001
830	1	Retaining Ring	AV14x1		3514001
840	1	Retaining Ring	AS30x2		3530002
850	1	Retaining Ring	I47x1,75		3447175
855	2	Retaining Ring	I35x1,5		3435015
860	1	Shim Ring	PS50x62x0,1		1950620
870	1	Shim Ring	PS14x20x1		1914201
875	2	Parallel Key	5x5x18		3005018
880	4	Parallel Key	6x6x12		3006012
	1	Gear Oil	250 ml		9025004
	1	Ring-Engineers Wrench	SW 19		9831119

**Spare Parts Price List - Diamond Electric Wall Saw FRIDA  
Type WS76H - Blade Guard**

FIG	NO	DESCRIPTION	STANDARD	TYPE	PART NO
15	1	Blade Guard A with guide ledge, without wheels			WS70304
20	1	Blade Guard B (Visier) without wheels			WS70306
25	4	Wheel			WS70308
30	4	Guide Ledge			WS70310
35	4	Bearing Sleeve			WS70312
45	1	Extension Spring Holder			WS70318
60	2	Locking Plate			WS70324
70	4	Guide disk			WS70330
85	4	Protection Disk			WS70336
95	1	Expander Grip cpl.			8912500
105	8	O-Ring	18x2		5518002
110	4	O-Ring	56x8		5556008
115	7	Washer	6,6x22x2		1806410
120	4	Hx. Sck. Count. Head Screw	M6x20		0406020
125	3	Button Head Socket Screw w. Flange	M6x8		0106008
	3*	Hx. Sck. Count. Head Screw	M6x10		0406010
130	12	Hexagon Socket	M5x12		0105012
135	4	Pan Head Tapping Screw	C3,9x13		0539013
	48	Blind Revet	F4x10		0804010
	10	Blind Revet	F4x12		0804012
	4	Blind Revet	F4x16		0804016
	12	Set Nut	M5x6,5		1006005
	4	Set Nut	M6x8		1005005

**Spare Parts Price List - Diamond Electric Wall Saw FRIDA  
Type WS76H - Flush Blade Guard**

FIG	NO	DESCRIPTION	STANDARD	TYPE	PART NO
10	1	Flush Cutting Blade Guard without wheels			WS70302
25	4	Wheel			WS70308
30	4	Guide Ledge			WS70310
35	4	Bearing Sleeve			WS70312
50	1	Ex. Sp. Holder f. Flush Guard			WS70320
75	1	Strip Brush	2,04 m		WS70335
85	2	Protection Disk			WS70336
95	1	Nozzle Screw	M12x20		WS70344
105	8	O-Ring	18x2		5518002
110	4	O-Ring	56x8		5556008
115	4	Washer	6,6x22x2		1806410
120	4	Hx. Sck. Count. Head Screw	M6x20		0406020
130	12	Hexagon Socket	M5x12		0105012
135	2	Pan Head Tapping Screw	C3,9x13		0539013
150	4	Blind Revet	F3x10 1.4301		0804010
155	50	Blind Revet	F3x6 Alu		0803006
160	12	Set Nut	M5x6,5		1006005
165	4	Set Nut	M6x8		1005005

## Spare Parts Price List - Diamond Electric Wall Saw FRIDA Type WS76H - Guide Rail

FIG	NO	DESCRIPTION	STANDARD	TYPE	PART NO
10	1	Guide Rail 2,18m cpl.			WS7542
	1	Guide Rail 1,09m cpl.			WS7544
	1	Guide Rail 2,18m			WS70402
15	1	Guide Rail 1,09m			WS70404
20	4(2)	Guide Profile			WS70406
	4(2)	Guide Profile			WS70406
25	2	Fixing Bracket			WS7546
30	2	Bracket Plate			WS70410.1
	2*	Bracket			WS70410
35	2	Bracket Block			WS70411
40	2	Clamp Paw			WS70412.1
45	2	Clamp Paw			WS70413
	2*	Clamp Paw			WS70412
50	1	Gear Rack 2,18m			WS70420
55	1	Gear Rack 1,09m			WS70422
65	2	Track Stop cpl. With Flap Pin			WS7548
80	2	Flap Pin	5,5x35		2755035
90	3	Compression Spring	0,9x14,1x39,2x3 ,5 D-142A		4309392
	4*	Compression Spring	1x10x26		4311026
95	14	Hexagon Socket Head Screw (WS7542)	M5x20		0105020
95	8	Hexagon Socket Head Screw (WS7544)	M5x20		0105020
	2	Hexagon Socket Head Screw	M5x20		0105020
97	8	Hexagon Socket Head Screw	M8x20		0108020
100	2	Threaded Rod	M12x139,5		0612139
102	2	Threaded Rod	M12x50		0612050
105	2	Hexagon Head Screw	M12x30		0612030
	4*	Hexagon Head Screw	M12x35		0612035
110	4	Hexagon Head Screw	M12x45		0612045
115	6	Medium Washer	13x2,5		1813025
	4*	Medium Washer	13x2,5		1813025
120	8	Hexagon Cap Nut	M12		1012017
	2*	Hexagon Cap Nut	M12		1012017
125	2	Hexagon Nut w. Flange	M12		1012023
130	2	Hexagon Head Screw	M12x70		0612070
135	32	Slotted Count.Head Screw	M4x12		0404012
	32*	Blind Rivet	F3x12		0803012
180	1	Connector Bridge cpl.			WS7550
185	1	Connector Bridge left			WS70414
190	1	Connector Bridge right			WS70415
195	2	Connector Paw			WS70417

\* parts are substituted

The prices listed are gross prices in € per item, plus statutory Value added tax.

When ordering spare parts, please always state: machine number, quantity, designation, spare part number and, for electrical parts, the nominal voltage.

WEKA Elektrowerkzeuge KG, Auf der Höhe 20, D 75387 Neubulach - Altbulach  
Telephon: +49 7053 96816-0, spare parts: +49 7053 96816-14 · Telefax: +49 7053 3138  
Internet: www.weka-elektrowerkzeuge.de · E-mail: weka@weka-elektrowerkzeuge.de

Subject to change