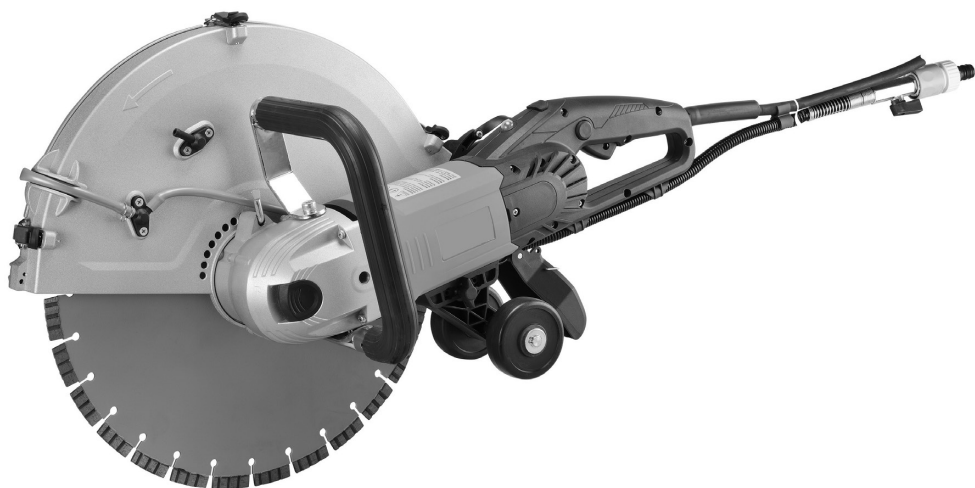




ORIGINAL INSTRUCTIONS

For your personal safety, **READ** and **UNDERSTAND** before using.

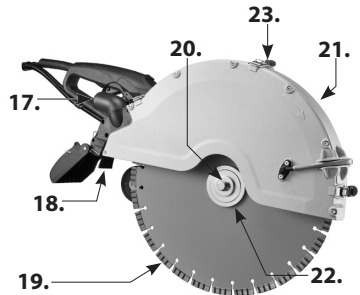
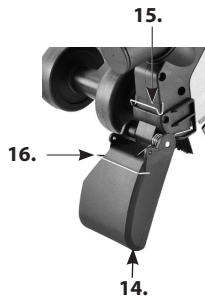
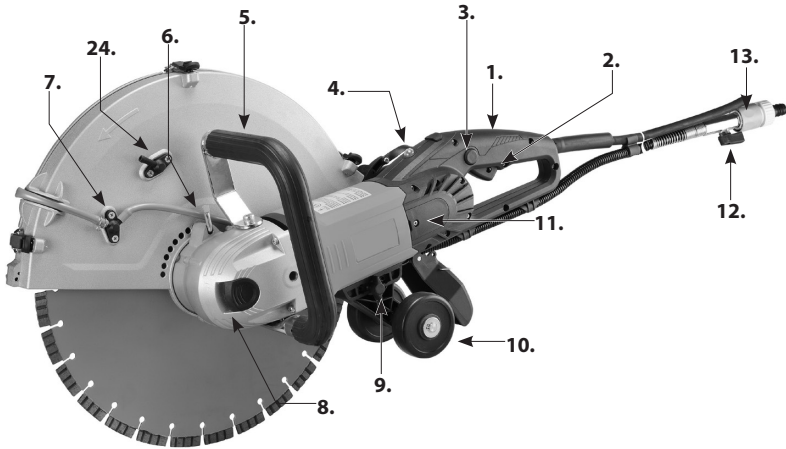
SAVE THESE INSTRUCTIONS FOR FUTURE REFERENCE.



GB	Concrete Saw	Safety instructions	2
DE	Betonsäge	Sicherheitshinweise	20
FR	Scie A Béton	Instructions de sécurité	37
ES	Sierra Para Hormigón	Instrucciones de seguridad	54
IT	Troncatrice Per Calcestruzzo	Indicazioni per la sicurezza	71
NL	Electrische betonslijper	Veiligheidsvoorschriften	88
DA	Betonsav	Sikkerhedsinstruktioner	104
NO	Betongsag	Sikkerhetsinstruksjoner	120
SV	Betongsåg	Säkerhetsinstruktioner	136

SPECIFICATIONS

Model	C16
Power Input	230V: 2700W (3200W actual), 115V: 2300W (3000W actual)
Voltage	220-240V~50/60Hz, 110-120V~50/60Hz (See Machine Nameplate)
Rated speed	n=3900 min ⁻¹
Blade Diameter	405mm (16")
Arbor	25.4mm (1")
Max. Cutting Depth	150mm (6 ")
Weight	9.6kg (21.1 Lbs) (10.kg (22.2 Lbs) with guide rollers)



- 1. Main Handle
- 2. Trigger Switch
- 3. Release Button
- 4. Load Warning Lamp
- 5. Side Handle
- 6. Blade Guard Locking Lever
- 7. Water Feed Nozzle
- 8. Arbor Lock Button
- 9. Butterfly Bolt
- 10. Guide Roller Assembly
- 11. Brush Cover
- 12. Water Feed Valve
- 13. Water Coupling
- 14. Splash Guard
- 15. Female Clip
- 16. Male Clip
- 17. Vacuum Port
- 18. Blade Guard Brush
- 19. Diamond Blade
- 20. Arbor Bolt
- 21. Blade Guard
- 22. Outer Flange
- 23. Toggle Latches
- 24. Alternate Water Nozzle

General Safety Rules



WARNING! Read all safety warnings and all instructions. Failure to follow the warnings and instructions may result in electric shock, fire and/or serious injury.

Save all warnings and instructions for future reference.

The term “power tool” in the warnings refers to your mains-operated (corded) power tool or battery-operated (cordless) power tool.

1. WORK AREA SAFETY

- a. **Keep work area clean and well lit.** Cluttered and dark areas invite accidents.
- b. **Do not operate power tools in explosive atmospheres, such as in the presence of flammable liquids, gases or dust.** Power tools create sparks which may ignite the dust or fumes.
- c. **Keep children and bystanders away while operating a power tool.** Distractions can cause you to lose control.
- d. **Never leave the electric power tool unattended.** Only leave the machine when the tool in use has come to a complete standstill.

2. ELECTRICAL SAFETY

- a. **Power tool plugs must match the outlet. Never modify the plug in any way. Do not use any adapter plugs with earthed (grounded) power tools.** Unmodified plugs and matching outlets will reduce risk of electric shock.
- b. **Avoid body contact with earthed or grounded surfaces, such as pipes, radiators, ranges and refrigerators.** There is an increased risk of electric shock if your body is earthed or grounded.
- c. **Do not expose power tools to rain or wet conditions.** Water entering a power tool will increase the risk of electric shock.
- d. **Do not abuse the cord. Never use the cord for carrying, pulling or unplugging the power tool. Keep cord away from heat, oil, sharp edges or moving parts.** Damaged or entangled cords increase the risk of electric shock.
- e. **When operating a power tool outdoors, use an extension cord suitable for outdoor use.** Use of a cord suitable for outdoor use reduces the risk of electric shock.
- f. **If operating a power tool in a damp location is unavoidable, use a residual current device (RCD) protected supply.** Use of an RCD reduces the risk of electric shock.

3. PERSONAL SAFETY

- a. **Stay alert, watch what you are doing and use common sense when operating a power tool. Do not use a power tool while you are tired or under the influence of drugs, alcohol or medication.** A moment of inattention while operating power tools may result in serious personal injury.
- b. **Use personal protective equipment. Always wear eye protection.** Protective equipment such as dust mask, non-skid safety shoes, hard hat, or hearing protection used for appropriate conditions will reduce personal injuries.

- c. **Prevent unintentional starting. Ensure the switch is in the off-position before connecting to power source and/or battery pack, picking up or carrying the tool.** Carrying power tools with your finger on the switch or energising power tools that have the switch on invites accidents.
- d. **Remove any adjusting key or wrench before turning the power tool on.** A wrench or a key left attached to a rotating part of the power tool may result in personal injury.
- e. **Do not overreach. Keep proper footing and balance at all times.** This enables better control of the power tool in unexpected situations.
- f. **Dress properly. Do not wear loose clothing or jewellery. Keep your hair and clothing away from moving parts.** Loose clothes, jewellery or long hair can be caught in moving parts.
- g. **If devices are provided for the connection of dust extraction and collection facilities, ensure these are connected and properly used.** Use of dust collection can reduce dust-related hazards.
- h. **Do not let familiarity gained from frequent use of tools allow you to become complacent and ignore, tool safety principles.** A careless action can cause severe injury within a fraction of a second.

4. POWER TOOL USE AND CARE

- a. **Do not force the power tool. Use the correct power tool for your application.** The correct power tool will do the job better and safer at the rate for which it was designed.
- b. **Do not use the power tool if the switch does not turn it on and off.** Any power tool that cannot be controlled with the switch is dangerous and must be repaired.
- c. **Disconnect the plug from the power source and/or battery pack from the power tool before making any adjustments, changing accessories, or storing power tools.** Such preventive safety measures reduce the risk of starting the power tool accidentally.
- d. **Store idle power tools out of the reach of children and do not allow persons unfamiliar with the power tool or these instructions to operate the power tool.** Power tools are dangerous in the hands of untrained users.
- e. **Maintain power tools. Check for misalignment or binding of moving parts, breakage of parts and any other condition that may affect the power tool's operation. If damaged, have the power tool repaired before use.** Many accidents are caused by poorly maintained power tools.
- f. **Keep cutting tools sharp and clean.** Properly maintained cutting tools with sharp cutting edges are less likely to bind and are easier to control.
- g. **Use the power tool, accessories and tool bits etc. in accordance with these instructions taking into account the working conditions and the work to be performed.** Use of the power tool for operations different from those intended could result in a hazardous situation.
- h. **Keep handles dry, clean and free of oil and grease.** Slippery handles do not allow for safe handling and control of the tool in unexpected situations.

5. SERVICE

- a. **Have your power tool serviced by a qualified repair person using only identical replacement parts.** This will ensure that the safety of the power tool is maintained.
- b. **Only use original parts for repair and maintenance.** The use of incompatible accessories or spare parts can result in electric shocks or other injuries.

Symbols used in this manual

V.....volts
 A.....amperes
 Hz.....hertz
 W.....watt
 ~.....alternating current
 n_orated speed
 min^{-1}revolutions or reciprocation
 per minute



.....class II tool



.....warning of general danger



.....read these instructions



.....always wear eye protection



.....always wear a dust mask.



.....always wear hearing protection



.....wear safety-approved hard hat



.....DANGER! Keep hands away from cutting area and the blade.



do not dispose of electric tools, accessories and packaging together with household waste material

Cut-off machine safety warnings

- **The guard provided with the tool must be securely attached to the power tool and positioned for maximum safety, so the least amount of wheel is exposed towards the operator. Position yourself and bystanders away from the plane of the rotating wheel.** The guard helps to protect operator from broken wheel fragments and accidental contact with wheel.
- **Use only diamond cut-off wheels for your power tool.** Just because an accessory can be attached to your power tool, it does not assure safe operation.
- **The rated speed of the accessory must be at least equal to the maximum speed marked on the power tool.** Accessories running faster than their rated speed can break and fly apart.
- **Wheels must be used only for recommended applications. For example: do not grind with the side of cut-off wheel.** Abrasive cut-off wheels are intended for peripheral grinding, side forces applied to these wheels may cause them to shatter.
- **Always use undamaged wheel flanges that are of correct diameter for your selected wheel.** Proper wheel flanges support the wheel thus reducing the possibility of wheel breakage.
- **Do not use worn down reinforced wheels from larger power tools.** Wheels intended for larger power tools are not suitable for the higher speed of a smaller tool and may burst.
- **The outside diameter and the thickness of your accessory must be within the capacity rating of your power tool.** Incorrectly sized accessories cannot be adequately guarded or controlled.
- **The arbour size of wheels and flanges must properly fit the spindle of the power tool.** Wheels and flanges with arbour holes that do not match the mounting hardware of the power tool will run out of balance, vibrate excessively and may cause loss of control.
- **Do not use damaged wheels. Before each use, inspect the wheels for chips and cracks. If power tool or wheel is dropped, inspect for damage or install an undamaged wheel. After inspecting and installing the wheel, position yourself and bystanders away from the plane of the rotating wheel and run the power tool at maximum no load speed for one minute.** Damaged wheels will normally break apart during this test time.
- **Wear personal protective equipment. Depending on application, use face shield, safety goggles or**

safety glasses. As appropriate, wear dust mask, hearing protectors, gloves and shop apron capable of stopping small abrasive or workpiece fragments. The eye protection must be capable of stopping flying debris generated by various operations. The dust mask or respirator must be capable of filtering particles generated by your operation. Prolonged exposure to high intensity noise may cause hearing loss.

- **Keep bystanders a safe distance away from work area. Anyone entering the work area must wear personal protective equipment.** Fragments of workpiece or of a broken accessory may fly away and cause injury beyond immediate area of operation.
- **Hold the power tool by insulated gripping surfaces only, when performing an operation where the cutting accessory may contact hidden wiring or its own cord.** Cutting accessory contacting a “live” wire may make exposed metal parts of the power tool “live” and could give the operator an electric shock.
- **Position the cord clear of the spinning accessory.** If you lose control, the cord may be cut or snagged and your hand or arm may be pulled into the spinning wheel.
- **Never lay the power tool down until the accessory has come to a complete stop.** The spinning wheel may grab the surface and pull the power tool out of your control.
- **Do not run the power tool while carrying it at your side.** Accidental contact with the spinning accessory could snag your clothing, pulling the accessory into your body.
- **Regularly clean the power tool’s air vents.** The motor’s fan will draw the dust inside the housing and excessive accumulation of powdered metal may cause electrical hazards.
- **Do not operate the power tool near flammable materials.** Sparks could ignite these materials.

Kickback and related warnings

- Kickback is a sudden reaction to a pinched or snagged rotating wheel. Pinching or snagging causes rapid stalling of the rotating wheel which in turn causes the uncontrolled power tool to be forced in the direction opposite of the wheel’s rotation at the point of the binding. For example, if an abrasive wheel is snagged or pinched by the workpiece, the edge of the wheel that is entering into the pinch point can dig into the surface of the material causing the wheel to climb out or kick out. The wheel may either jump toward or away from the operator, depending on direction of the wheel’s movement at the point of pinching. Abrasive wheels may also break under these conditions. Kickback is the result of power tool misuse and/or incorrect operating procedures or conditions and can be avoided by taking proper precautions as given below.
- **Maintain a firm grip on the power tool and position your body and arm to allow you to resist kickback forces. Always use auxiliary handle, if provided, for maximum control over kickback or torque reaction during start-up.** The operator can control torque reactions or kickback forces, if proper precautions are taken.
- **Never place your hand near the rotating accessory.** Accessory may kickback over your hand.
- **Do not position your body in line with the rotating wheel.** Kickback will propel the tool in direction opposite to the wheel’s movement at the point of snagging.
- **Use special care when working corners, sharp edges, etc. Avoid bouncing and snagging the accessory.** Corners, sharp edges or bouncing have a tendency to snag the rotating accessory and cause loss of control or kickback.
- **Do not attach a saw chain, woodcarving blade, segmented diamond wheel with a peripheral gap greater than 10 mm or toothed saw blade.** Such blades create frequent kickback and loss of control.
- **Do not “jam” the cut-off wheel or apply excessive pressure. Do not attempt to make an excessive**

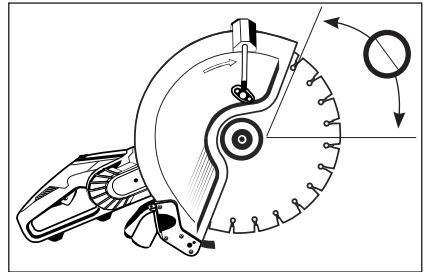
depth of cut. Overstressing the wheel increases the loading and susceptibility to twisting or binding the wheel in the cut and the possibility of kickback or wheel breakage.

- **When wheel is binding or when interrupting a cut for any reason, switch off the power tool and hold the power tool motionless until the wheel comes to a complete stop. Never attempt to remove the cut-off wheel from the cut while the wheel is in motion otherwise kickback may occur.** Investigate and take corrective action to eliminate the cause of wheel binding.
- **Do not restart the cutting operation in the workpiece. Let the wheel reach full speed and carefully re-enter the cut.** The wheel may bind, walk up or kickback if the power tool is restarted in the workpiece.
- **Support panels or any oversized workpiece to minimize the risk of wheel pinching and kickback.** Large workpieces tend to sag under their own weight. Supports must be placed under the workpiece near the line of cut and near the edge of the workpiece on both sides of the wheel.
- **Use extra caution when making a “pocket cut” into existing walls or other blind areas.** The protruding wheel may cut gas or water pipes, electrical wiring or objects that can cause kickback.

Cut-Off Machine Safety Warnings - Additional Safety Rules

WARNING: Avoid cutting in the upper quadrant of the blade, especially when beginning the cut. This area is highly likely to lead to kickback.

WARNING: When cutting plastics, do not allow the plastic to melt. If the plastic melts, it can stick to the blade, leading to kickback.

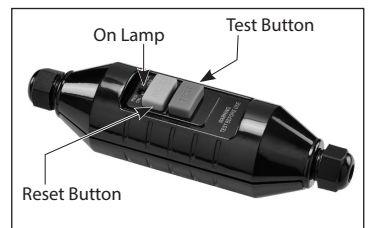


ELECTRICAL CONNECTION

The network voltage must conform to the voltage indicated on the tool name plate. Under no circumstances should the tool be used when the power supply cable is damaged. A damaged cable must be replaced immediately by an authorized Customer Service Center. Do not try to repair the damaged cable yourself. The use of damaged power cables can lead to an electric shock.

WARNING: Never operate a damaged machine. Always tag a damaged machine and take it out of service until repairs can be made.

WARNING: These machines are equipped with a Portable Residual Current Device (PRCD) also known as a Ground Fault Circuit Interrupter (GFCI). Always use this device whenever using the machine to reduce the risk of shock hazards. Always position the PRCD as close as possible to the power source. Test and reset the PRCD device before each use. Press the “Test” button to test. Press the “Reset” button to energize the circuit to the machine.



Note: PRCD (GFCI) appearances vary according to the requirements of various regions. Photos for reference only

INTRODUCTION

This machine is equipped with two handles and a blade guard. The motor has overload and overheat protection. It has an integrated water feed system as required for diamond cutting and has a portable residual current device (PRCD) for electrical safety. It must only be used with a diamond blade or abrasive wheel.. It is intended for cutting masonry, stone, concrete, reinforced concrete and similar materials. All other uses are prohibited.

LIST OF CONTENTS

- Concrete Saw
- Guide Roller Assembly
- M17 Combination Wrench
- Splash Guard
- Flush Cutting Kit

ASSEMBLY

- Mount the blade. (See below "Mounting the Blade")
- Mount the Guide Roller Assembly if desired (See below "Guide Roller Assembly")
- Mount the blade guard brush (See below "Blade Guard Brush" for assembly instructions)
- Mount the splash guard (See below "Splash Guard" for assembly instructions)

DIAMOND BLADES

Allowed Types Of Blades

This machine may only use diamond blades or abrasive wheels

- Only use either segmented or continuous rim diamond blades.
- If the diamond blades are segmented, the maximum allowable peripheral gap between segments is 10mm and must be with a negative rake angle.
- Only diamond blades of 405mm (16") or less may be used.
- Blade thickness must be at least 2.4mm and no greater than 6.35mm

* Blade core thickness must be at least 2.2mm and no greater than 3.5mm.

Blade Storage And Transport

Do not store or transport the machine with the blade mounted. Remove the blade and store in such a way that it is protected from being bent or damaged when the machine is not in use-this will help prevent damage to the blade.

A damaged blade can cause irregular conditions, this can cause imbalance and result in a hazard.

Always inspect new blades for storage or transport damage.

About Diamond Blades

Diamond blades consist of a steel core with diamond segments added to its periphery.

Diamond blades are available for different hardnesses of masonry materials, stone, concrete, reinforced

concrete, etc.

Some diamond blades are designed to be used wet only, while others are designed to be allowed to be used dry. Refer to the blade manufacturer's instructions.

Generally speaking, even if the blade is specified as a dry type blade, diamond tools always work better when wet, and dry cutting should be limited to situations in which water cannot or should not be used. Water will prevent the blade from overheating, greatly reduce the amount of harmful dust created by cutting, remove the slurry from the cut, and extend the life of the blade. Dry cutting of very hard materials such as porcelain or reinforced concrete will lead to rapid tool wear and possible failure.

The diamond impregnated segments operate on a principle of controlled erosion. The bond matrix holding the diamonds is continually worn away by abrasion with the workpiece, exposing the harder diamonds to stand proud from the bond matrix. Blades made for cutting harder materials will have a softer bond, allowing the diamonds project more aggressively (but will not last as long). Blades made for cutting softer, abrasive materials will have a harder bond, allowing them to resist the abrasiveness of the material and to last longer. With enough erosion of the bond matrix (the diamonds not exposed) and the blade becomes dull. This is called glazing. If the blade seems to refuse to cut anymore, it is glazed.

See below: **"Sharpening a Glazed Blade"**

Never use a sharp motion or the blade will be damaged. Conversely, don't feed too gently or the diamond segments will become glazed. Keep the blade steadily working.

Take great care to keep the blade perpendicularly aligned to the kerf. If the blade is crooked, it will easily bind. When cutting reinforced concrete, if embedded steel is encountered, take special care. Reduce the feed pressure by about 1/3 and let the blade go at its own pace, if there is too much vibration the blade may be destroyed. Once the steel is passed, continue normally.

NOTE: Never use a wet-type diamond blade without water. It will overheat and be destroyed.

NOTE: When using dry blades, do not allow them to overheat. It is best to cut no longer than about 60 seconds at a time, with 10 second running in air cool down times in between.

Always mount the blade with the arrow matching the direction of rotation of the machine (A direction arrow is marked on the blade guard).

WARNING: Never use blades for cutting a material other than the material they were intended for.

SHARPENING A GLAZED BLADE

Diamond blades may become glazed (dull). Once the diamond segments are glazed, the blade's cutting performance will degrade and the segments will overheat. To resharpen the blade, turn down the water feed and make a few cuts in a very soft, abrasive material such as brick or an alumina oxide or silicon carbide dressing stone.

MOUNTING THE BLADE

First make sure that the machine is unplugged.

Then, using the 17mm combination wrench, engage the arbor bolt and turn the arbor while pressing on the arbor lock. When the arbor reaches the right position, the arbor lock will be allowed to engage. Then the arbor bolt may be loosened and the plain outer flange may be removed.

The inner flange of this machine is 1" (25.4mm). Check the inner flange to ensure that the size matches the bore

of the blade .

Inspect the blade before use. It must not be cracked, warped or damaged in any way that would cause a hazard in operation. Loose diamond segments can be ejected at high speed, causing possible injury. Always check that the diamond segments are not under cut. If the diamond segments are thinner or nearly thinner than the blade core, the kerf will be too tight fitting and could easily lead to kickback.

Ensure that the flanges and blade bore are clean and undamaged and that everything fits properly. The flanges may not be used if they are warped, the surface is uneven, burred or if they are dirty. The arbor bolt and arbor threads must be undamaged. Inspect the blades for segment damage, arbor hole damage or any other damage which could cause hazardous operation.

The protruding edge of the inner flange should be facing the blade. Then mount the blade to the inner flange and add the outer flange. Add the arbor bolt and tighten to 15-25 Nm.

WARNING: Do not attempt to mount a blade which does not match the mounting hardware. It will lead to eccentric running and vibration which will be uncontrollable.

ADJUSTING THE BLADE GUARD

The blade rotates clockwise when viewed from the arbor end. Therefore, most of the cutting debris, sparks and slurry is thrown to the rear. So the blade guard should be adjusted so that the rear edge is flush with the workpiece.

TO ADJUST

First pull out the locking lever against the spring tension, then rotate the blade guard to the desired position. Allow the locking lever to engage the nearest slot in the guard to lock it into position.



BLADE GUARD BRUSH

There is a removable brush at the rear of the guard to help contain sparks, dust, debris and slurry. To install, simply push the brush into the slot in the bottom of the dust port bracket until it clicks in place. This brush may be pulled straight out to replace when worn.

SPLASH GUARD

The spring-loaded splash guard is useful to help to contain slurry which splashes toward the back.

To install, simply clip into place on the back of the dust port bracket. To remove, tilt upward to pop free.

If the splash guard is not needed, such as when cutting dry, it may be clipped up out of the way. Simply engage the male clip on the flap with the female clip on the mount. Unclip to release.

WATER CONNECTION

Water is a basic requirement for diamond sawing with wet-type diamond blades. The water serves as a

coolant to avoid the working surface of the diamond segments from overheating.

Water also keeps down dust and flushes away abrasive particles.

WARNING: Always use the PRCD (GFCI) when operating with water

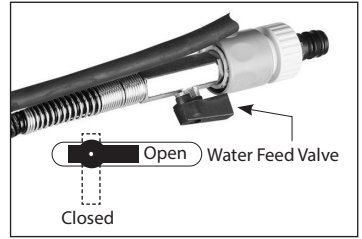
WARNING: Never allow water to enter the motor. It could lead to an electric shock.

WARNING: Check all connections of the water feed system to ensure there are no leaks. Inspect hoses and other critical parts which could deteriorate.

WARNING: The maximum water pressure should not exceed 70 psi (4 bar).

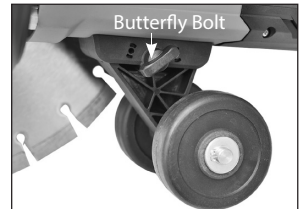
Use a water collector with a wet vacuum to collect cooling water if nearby objects could be damaged by water. The water feed system is built into the machine. To connect with the water supply, first pull the quick-release collar to remove the female side of the water coupling. Then unscrew the nut and engage the coupling to the water hose. Now reconnect the water coupling to the male water feed valve. Press it until it clicks. The water flow is controlled by the water feed valve. The water to the blade may be finely adjusted to the required amount.

NOTE: Contaminants in the water supply can easily plug up the fine water nozzles in the blade guard. Ensure that the supply water is clean. If you find that there is no water flow to the blade, then clean out the water feed system on the machine.



GUIDE ROLLER ASSEMBLY

The guide rollers make it easier to keep the blade plane perpendicular to the workpiece. To install, slacken the butterfly bolt slightly and engage the four claws with the four eyelets on the bottom of the motor housing, then tighten the butterfly bolt.

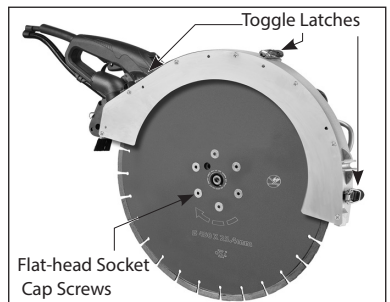


FLUSH CUTTING KIT INSTRUCTIONS

The flush cutting kit enables a flush cut blade (not included) to be mounted to the machine which allows flush cuts to be made while the outer blade guard is temporarily removed.

FLUSH CUTTING KIT LIST OF CONTENTS

1. Flush Cutting Flange
2. Socket Cap Arbor Bolt & Washer
3. Flat-Head Socket Cap Screws x 6



4. M5 L-Hex Wrench
5. M8 L-Hex Wrench
6. Flush Cut Cover & Flat-Head Screws x 7

FLUSH CUTTING KIT ASSEMBLY

To mount the flush cutting kit, first remove the standard arbor bolt, flanges and blade .

1. Remove the water hose from water nozzle on the outer blade guard and connect it to the alternate water nozzle on the inner blade guard.
2. Pop off the splash guard and remove the 7 screws securing the outer blade guard .
3. Unclip the 3 toggle latches and pop the loose hasps in the plastic clips to prevent rattling.
4. Lift away the outer blade guard and keep in a safe place.
5. Mount the flush cutting flange on the spindle and secure with the washer and socket cap arbor bolt. Engage the arbor lock tighten the arbor bolt securely using the M8 L-hex wrench.



WARNING: Do not use any spacers or flanges under the Flush Cutting Flange!

6. Mount the flush cut blade on the flange, align the holes and thread in the flat-head socket cap screws. Using the M5 L-hex wrench, tighten the screws evenly and diagonally.
7. Mount the Flush Cut Cover and fasten the 7 flat-head screws.

WARNING: Do not operate without the Flush Cut Cover mounted.

8. Once the flush cutting operation is completed, immediately return the saw to its standard cutting configuration.

NOTE: There is roughly a 1 mm or less effective offset (depending on how thick the diamond segments are).

But since the blade guard has some degree of flexibility, pushing down slightly brings it all the way to fully flush. In actual cutting, it comes out as 100% flush. There has to be a small degree of offset so the blade won't make swirl marks in the base material in cases where that matters. So to avoid the swirl marks, don't use any downforce, and to get 100% flush, use some downforce.

WARNING: Always operate with the outer blade guard in place while performing standard cutting. Never operate the saw with the outer blade guard removed except for flush cutting operations.

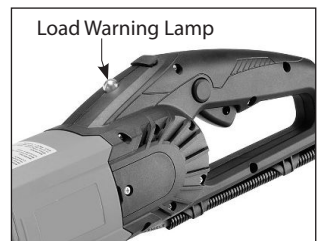
WARNING: Check the tightness of the mounting screws and arbor screw periodically.

WARNING: If any unusual vibration is felt in operation, stop immediately and find the cause before continuing.

OVERLOAD PROTECTION, OVERHEAT PROTECTION

Overload & Load Warning Lamp

When full load is reached, the load warning lamp will flash red. If full load



is exceeded and sustained for too long, the motor will shut down and the load warning lamp will glow solid red. In this case, the motor must be first shut off and then restarted.

Overheat Thermal Protection

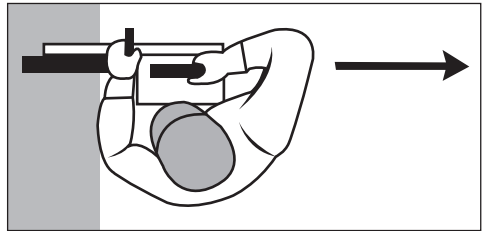
If the temperature of the motor gets too high, the thermal protection will shut the motor down. The switch must be first shut off and then restarted. When this happens, do not immediately start cutting after restarting the motor. Always run the machine at no load for a few minutes to return to a normal operating temperature before continuing.

CAUTION: The motor will be damaged if it is repeatedly overloaded or overheated. Always cool the motor by running at no load for a few minutes whenever it stops from either overheat or overload.

OPERATION

How to hold the machine

- Always hold the machine with both hands, with the right hand on the main handle and with the left hand on the side handle. (This applies even if the operator is left-handed)
- Do not stand directly in line with the blade. Rather, stand in such a way that, if it kicks back, you will not be in the path of the blade.
- Never lean over the blade path. That would put your body in line with the blade if it kicks back.
- Do not cut above shoulder height.
- Never cut while standing on a ladder or other unstable platform.

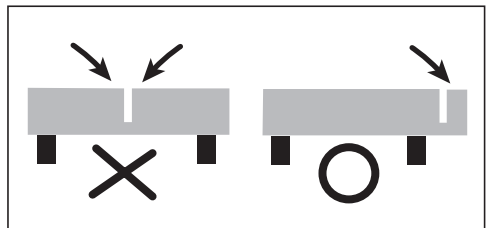


Before cutting

- Check the area where the cut is to be made to ensure that it is clear of objects which could cause the operator to stumble.
- Before cutting, it is sometimes useful to mark the line of cut with chalk or the like. For straight cutting, a wood plank is also useful in guiding the machine to make a straight cut.
- Ensure that all bystanders are at a safe distance.
- Ensure that all safety equipment is in place.

Proper Support for the Workpiece

- Support the workpiece on in such a way that the kerf will not pinch down on the blade.
- Secure the workpiece so that it will not roll, slip away or move due to vibration while cutting
- The cutting sequence is important when making cutouts. Always make the last cut in a way that avoids the blade being pinched. Thus, make the bottom horizontal cut first, then the sides and

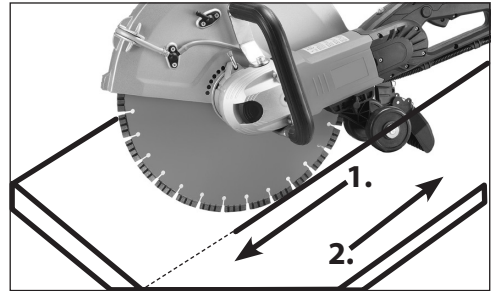
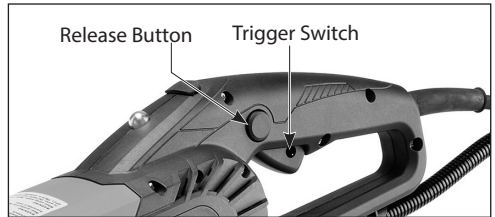


finally make the top horizontal cut last.

- Make note of the weight of the workpiece and the direction which it will fall when it is cut through.
- Whenever there is a situation where severing the workpiece will cause a hazardous situation, leave a tab of material intact and finish off the operation with a chisel or the like.

Cutting Technique

- Holding the machine with both hands to resist the start up torque, press the release button and then squeeze the trigger switch.
- Allow the machine to reach full speed before contacting the workpiece.
- Adjust the water flow as needed by turning the water feed valve.
- Then gently begin the cut with the rear portion of the blade until the kerf is established. Make the first cut in the forward direction (so that you can see the line of cut). Then make following cuts in the backward direction.
- Do not try to cut too much depth in one pass. Never exceed about 50mm (2") per pass.
- It's a good idea to first cut a shallow guiding groove before proceeding to make the main cut. If any correction is needed. Lift the blade and cut slightly ahead and then back into the existing kerf. Take care to avoid the blade being pinched.
- In round workpieces, the best technique is to use a slow, uniform back and forth motion while cutting with the bottom quadrant of the blade.
- Do not allow the machine to bog down. Limit your feed pressure to keep the blade spinning at high speed.
- Never side load the blade in the kerf.
- Concrete cutting is very stressful for the motor: After the cut is finished, it is a good practice to run the machine at no load for a short time to lower the motor temperature before stopping.



Stopping

Release the trigger to stop the machine. After the trigger is released, the blade will continue spinning for a time.

WARNING: Do not set the machine down until the blade has stopped turning.

Note: Always ensure the vacuum cleaner's dust bag is not too full. An overfilled dust bag will have reduced dust collection efficiency which could result in poor dust control.

MAINTENANCE AND CLEANING

This machine operates in a very harsh environment. The slurry created by wet cutting and the dust created by dry cutting gets sucked into the motor's cooling slots and enters the motor. The slurry of brick and concrete contains salts and other corrosive substances which will severely shorten the life of the motor or cause electrical shorts if allowed to accumulate.

Therefore, it's essential for the long life of the tool that it be thoroughly cleaned after each use.

Compressed air should be blown through the machine's cooling slots at the back of the machine while the motor is running.

Daily Maintenance

1. Keep the machine clean
2. Check to ensure that the power supply cable is in good condition.
3. Ensure all screws are tight.
4. Check the condition of all safety equipment such as the blade guard
5. Check the blade for damage.

Carbon Brushes

The carbon brushes are a normal wearing part and must be replaced when they reach their wear limit. This machine is equipped with auto-stop carbon brushes. If the machine comes to a stop unexpectedly, the brushes should be checked. The auto-stop brush design protects the motor by stopping the machine before the carbon brushes are completely worn out.

Caution: Always replace the brushes as a pair.

To replace

1. Remove the screw and remove the brush cover.
2. Using pliers rotate the brush spring out of the way and slide the old carbon brush out of the brush holder.
3. Unscrew the screw to remove the brush lead. The old carbon brush may now be lifted away.
4. Install a new brush. Installation is the reverse of removal.
5. Replace the brush cover.



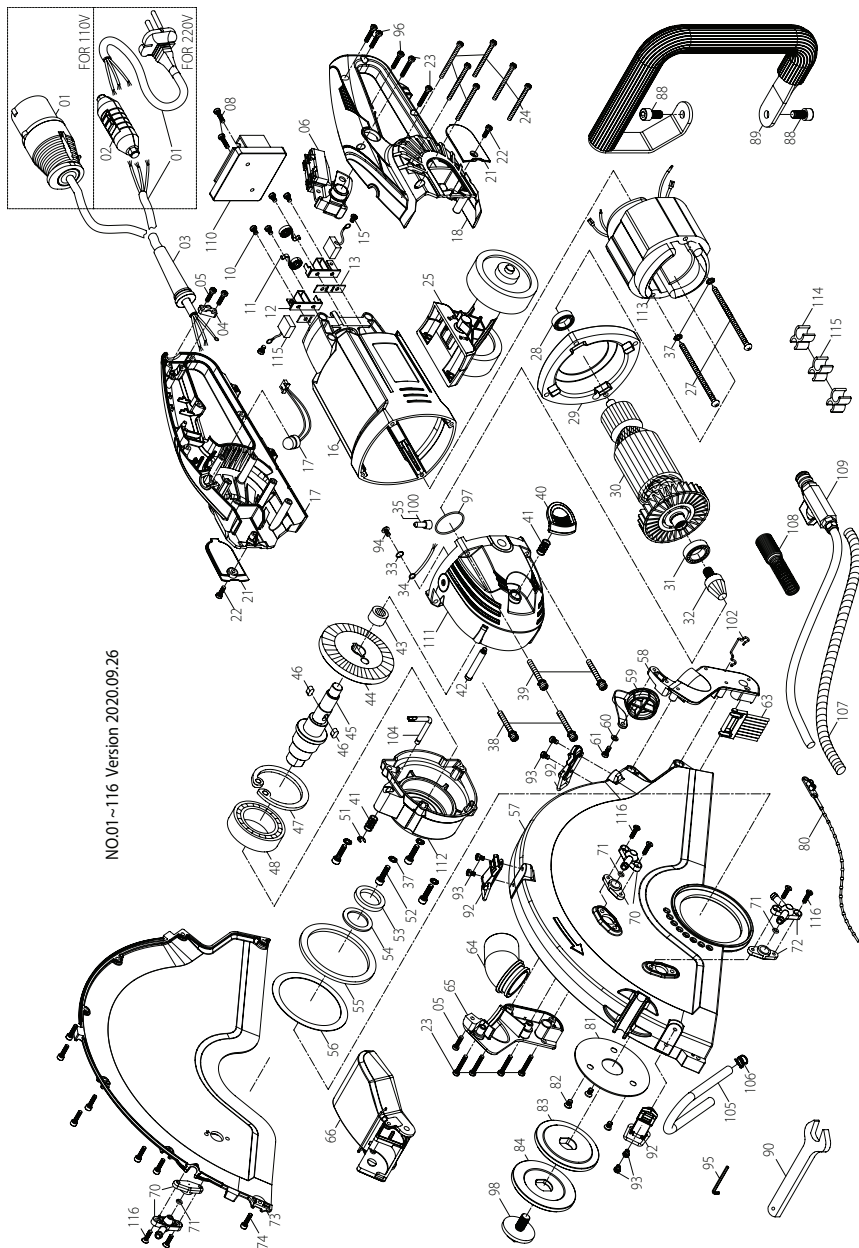
If the replacement of the power supply cord is necessary, this has to be done by the manufacturer or their agent in order to avoid a safety hazard.

WARNING: All repairs must be entrusted to an authorized service center. Incorrectly performed repairs could lead to injury or death.

Do not throw electric power tools into the household waste!

In accordance with the European Directive 2002/96/EG on Waste Electrical and Electronic Equipment and transposition into national law, used electric power tools must be collected separately and recycled in an environmentally friendly manner.

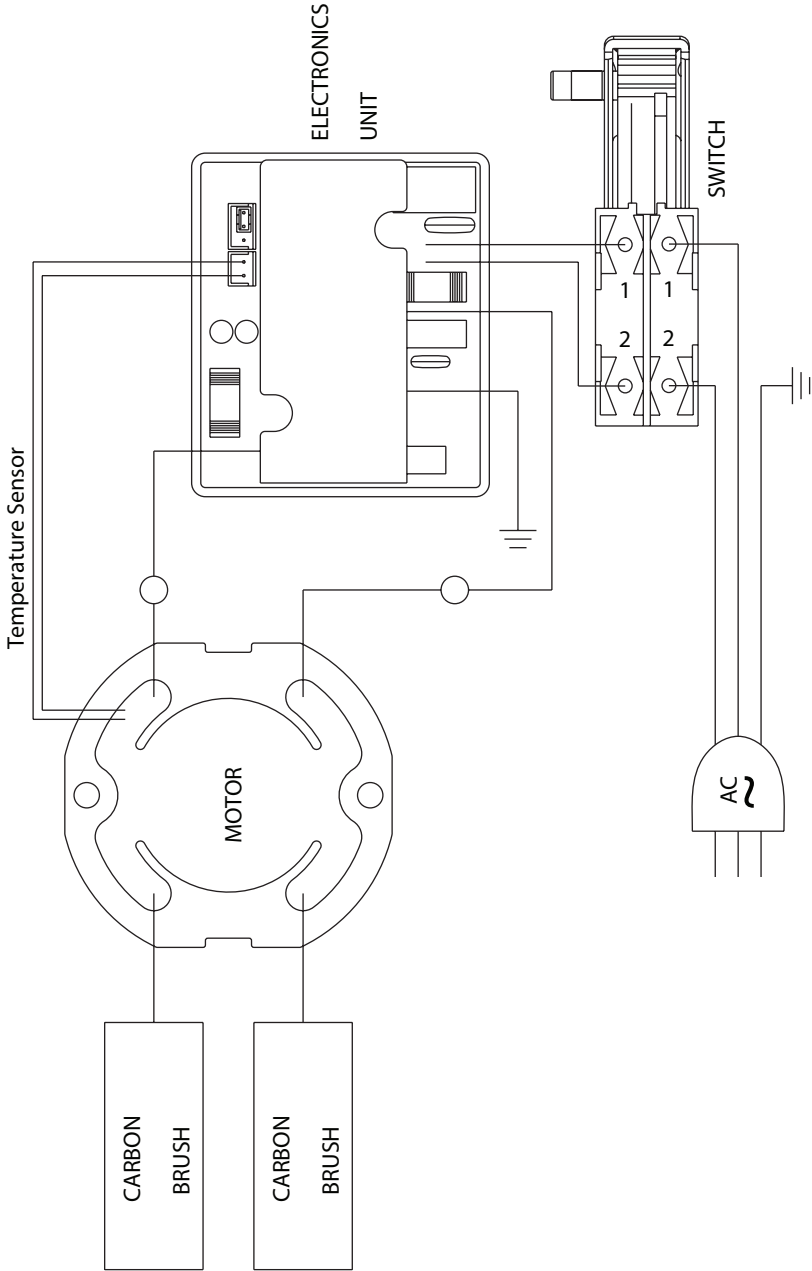
EXPLODED VIEW



PARTS LIST

NO.	Parts Name	Q'TY	NO.	Parts Name	Q'TY
1	POWER SUPPLY CABLE (VDE-1.5x3Cx3M-H07RNF)	1	54	FELT OILER (Ø25xØ35x2.5)	1
1	POWER SUPPLY CABLE (UK-2.5x3Cx3M-H07RNF)	1	55	RUBBER FENDER (Ø75xØ91x4)	1
2	PRCD INTERRUPTER PROTECTION (220V)	1	56	PLASTIC RING (Ø74xØ91.5x0.25)	1
3	CORD ARMOR	1	57	UPPER BLADE COVER	1
4	CABLE CLIP	1	58	DUST PORT BRACKET-LEFT	1
5	PANHEAD TAPPING SCREW (M4x14)	3	59	DUST PORT PLUG	1
6	TRIGGER SWITCH	1	60	FLAT WASHER (Ø4xØ10x1)	1
8	PANHEAD TAPPING SCREW (M4x16)	2	61	PANHEAD TAPPING SCREW (M4x10)	1
9	ELECTRONICS UNIT (110V)/(220V)	1	63	BLADE GUARD BRUSH	1
10	PANHEAD TAPPING SCREW (M4x16)	4	64	DUST ATTACHMENT	1
11	BRUSH SPRING (0.4x4x3T)	2	65	DUST PORT BRACKET-RIGHT	1
12	CARBON BRUSH HOLDER (7x17)	2	66	SPLASH GUARD	1
13	INSULATION PLATE (10x38x1)	2	70	WATER NOZZLE ASSY.-R	2
15	PANHEAD MACHINE SCREW (M4x6xP0.7)	2	71	O-RING (Ø4x1.5)	3
16	MOTOR HOUSING	1	72	WATER NOZZLE ASSY.-L	1
17	HANDLE HALF-RIGHT	1	73	OUTER BLADE COVER	1
18	HANDLE HALF-LEFT	1	74	SOCKET CAP SCREW (M4x12xP0.7)	7
19	LED INDICATOR LIGHT	1	80	ZIP TIE (KTV-150BK)	1
21	CARBON CAP (BLACK)	2	81	RETAINING PLATE	1
22	PANHEAD TAPPING SCREW (M4x12)	2	82	FLAT HEAD MACHINE SCREW (M5x8xP0.8)	3
23	PANHEAD TAPPING SCREW (M4x25)	6	83	INNER FLANGE (Ø25.4)	1
24	PANHEAD TAPPING SCREW (M4x50)	6	84	COUNTER FLANGE	1
25	GUIDE ROLLER ASSY.	1	88	SOCKET CAP SCREW (M8x16xP1.25)	2
27	PANHEAD TAPPING SCREW (M5x90)	2	89	FRONT HANDLE	1
28	BALL BEARING (6200)	1	90	WRENCH (M17)	1
29	FAN SHROUD (BLACK)	1	92	TOGGLE LATCH	3
30	ARMATURE (110V/220V-100x54.1x75)	1	93	PANHEAD MACHINE SCREW (M4x6xP0.7)	6
31	BALL BEARING (6202)	1	94	TRUSS HEAD MACHINE SCREW (M4x6xP0.7)	1
32	BEVEL PINION GEAR (M2.35x6T)	1	95	HEX KEY (M3)	1
33	EXTERNAL STAR WASHER (M4)	1	96	PANHEAD TAPPING SCREW (M4x20)	3
34	WIRE LEAD (1007-20#35CM)	1	97	O-RING (Ø35x1.5)	1
35	CRIMP CAP CONNECTOR (C4)	1	98	BOLT (M10xP1.5)	1
37	SPRING WASHER (M5)	6	100	CRIMP CAP CONNECTOR (C5)	1
38	PANHEAD TAPPING SCREW (M5x45)	2	102	CLIP-FEMALE	1
39	PANHEAD TAPPING SCREW (M5x50)	2	104	L-CLEVIS PIN	1
40	SPINDLE LOCK BUTTON	1	105	TUBE (Ø6.4xØ10x0.2M)	1
41	SPRING (Ø0.9xØ7.4xØ9.2x5Tx16L)	2	106	CLIP	1
42	ARBOR LOCK	1	107	CABLE PROTECTOR (Ø10x90CM)	1
43	NEEDLE BEARING (TA1212)	1	108	SPRING	1
44	BEVEL GEAR (M2.35x37T)	1	109	WATER FEED CONNECTOR KIT	1
45	SPINDLE (M10xP1.5-116.6MM)	1	110	ELECTRONICS UNIT (110V/220V)	1
46	PARALLEL KEY (5x5x10)	2	111	GEAR HOUSING	1
47	INTERNAL CIRCLIP (R-62)	1	112	GEAR PLATE	1
48	BALL BEARING (6206)	1	113	STATOR (110V/220V-100x54.1x75)	1
51	E-CLIP (E-5)	1	114	HOSE JOINER (Ø10xØ14.4)/(Ø12xØ14.4)	3
52	SOCKET CAP SCREW (M5x25xP0.8)	4	115	CARBON BRUSH (7x17x19) (220V)	2
53	OIL SEAL (Ø25xØ35x5)	1	116	FLAT HEAD TAPPING SCREW (M4x14)	6

-GB-
WIRING



Noise/vibration information

Measured in accordance with EN 60745-2-22

Model no. : C16

Noise level: Sound pressure level(L_{pA}): 105.0 dB(A) Sound power level(L_{wA}): 116 dB(A) K= 3.0 dB

Vibration level: $a_h = 3.9 \text{ m/s}^2$ K = 1.5 m/s^2

The vibration emission level has been measured in accordance with a standardised test given in EN 60745; it may be used to compare one tool with another and as a preliminary assessment of exposure to vibration when using the tool for the applications mentioned

- using the tool for different applications, or with different or poorly maintained accessories, may significantly increase the exposure level

- the times when the tool is switched off or when it is running but not actually doing the job, may significantly reduce the exposure level

protect yourself against the effects of vibration by maintaining the tool and its accessories, keeping your hands warm, and organizing your work patterns

CE Declaration of Conformity

•We declare under our sole responsibility that this product is in conformity with the following standards or standardized documents: EN 60745-1: 2009 + A11: 2010 & EN 60745-2-22: 2011 + A11: 2013, EN 61000, EN 55014 in accordance with the regulations 2006/42/EC, 2014/30/EU, 2011/65/EU

•Technical file at: LEE YEONG INDUSTRIAL CO., LTD., NO.2, KEJIA RD., DOULIU CITY, YUNLIN COUNTY 64057, TAIWAN

You-Chun, Liu
Operation & Engineering

You chun Liu

Chih-Hao, Lai
Approval Manager

chih HAO LAI

LEE YEONG INDUSTRIAL CO., LTD.,
NO.2, KEJIA RD., DOULIU CITY, YUNLIN COUNTY 64057, TAIWAN

12.30.2016

LEE YEONG INDUSTRIAL CO., LTD.

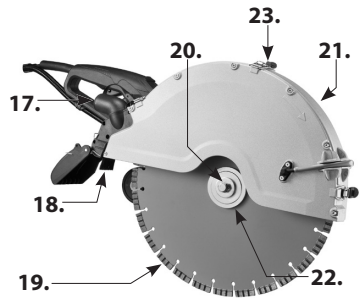
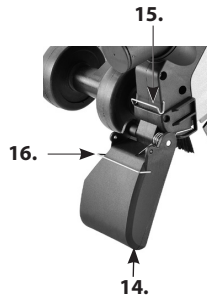
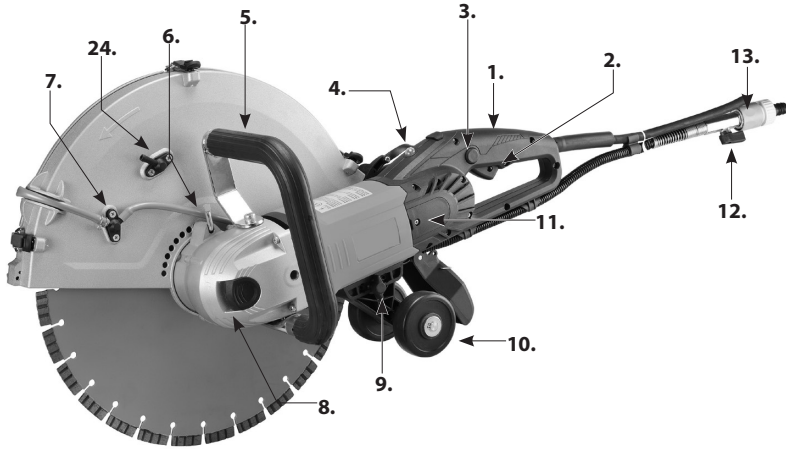
NO.2, KEJIA RD., DOULIU CITY,
YUNLIN COUNTY 64057, TAIWAN

TEL: 886-5-5518689 (REP)

Fax: 886-5-5518635

TECHNISCHE DATEN

Modell	C16
Leistungsaufnahme	230 V: 2700 W (3200 W), 115 V: 2300 W (3000 W effektiv)
Spannung	220-240 V~50/60 Hz, 110-120 V~50/60 Hz (siehe Typenschild)
Nenn Drehzahl	n=3900 min ⁻¹
Trennscheibendurchmesser	405 mm (16")
Dorn	25,4 mm (1")
Max. Schnitttiefe	150 mm (6")
Gewicht	9,6 kg (21,1 lbs) (10 kg (22,2 lbs) mit Führungsrollen)



- 1. Hauptgriff
- 2. Einschalter
- 3. Entriegelungsknopf
- 4. Last-Warnleuchte
- 5. Seitengriff
- 6. Schutzhaubenverriegelungshebel
- 7. Wasserzufuhrdüse
- 8. Dornverriegelungstaste
- 9. Flügelschraube
- 10. Führungsrollenbaugruppe
- 11. Bürstenabdeckung
- 12. Wasserzufuhrventil

- 14. Spritzschutz
- 15. Klemme
- 16. Klemmstecker
- Wasserkupplung

- 20. Dornbolzen
- 21. Schutzhaube
- 22. Äußerer Flansch
- 23. Spannverschlüsse
- 24. Alternative Wasserdüse

Allgemeine Sicherheitshinweise



ACHTUNG! Lesen Sie sämtliche Sicherheitshinweise und Anweisungen. Fehler bei der Einhaltung der Warnhinweise und Anweisungen können elektrischen Schlag, Brand und/oder schwere Verletzungen verursachen.

Bewahren Sie alle Sicherheitshinweise und Anweisungen für die Zukunft auf.

Der in den Sicherheitshinweisen verwendete Begriff „Elektrowerkzeug“ bezieht sich auf netzbetriebene Elektrowerkzeuge (mit Netzkabel) und auf akkubetriebene Elektrowerkzeuge (ohne Netzkabel).

1. ARBEITSPLATZSICHERHEIT

- a. **Halten Sie Ihren Arbeitsbereich sauber und aufgeräumt.** Unordnung und unbeleuchtete Arbeitsbereiche können zu Unfällen führen.
- b. **Arbeiten Sie mit dem Gerät nicht in explosionsgefährdeter Umgebung, in der sich brennbare Flüssigkeiten, Gase oder Stäube befinden.** Elektrowerkzeuge erzeugen Funken, die den Staub oder die Dämpfe entzünden können.
- c. **Halten Sie Kinder und andere Personen während der Benutzung des Elektrowerkzeugs fern.** Bei Ablenkung können Sie die Kontrolle über das Gerät verlieren.
- d. **Lassen Sie das Elektrowerkzeug nicht unbeaufsichtigt laufen.** Verlassen Sie das Elektrowerkzeug erst, wenn das Einsatzwerkzeug komplett zum Stillstand gekommen ist.

2. ELEKTRISCHE SICHERHEIT

- a. **Der Anschlussstecker des Gerätes muss in die Steckdose passen. Der Stecker darf in keiner Weise verändert werden. Verwenden Sie keine Adapterstecker gemeinsam mit schutz geerdeten Geräten.** Unveränderte Stecker und passende Steckdosen verringern das Risiko eines elektrischen Schlages.
- b. **Vermeiden Sie Körperkontakt mit geerdeten Oberflächen, wie von Rohren, Heizungen, Herden und Kühl schränken.** Es besteht ein erhöhtes Risiko durch elektrischen Schlag, wenn Ihr Körper geerdet ist.
- c. **Halten Sie das Gerät von Regen oder Nässe fern.** Das Eindringen von Wasser in ein Elektrogerät erhöht das Risiko eines elektrischen Schlages.
- d. **Zweckentfremden Sie das Kabel nicht, um das Gerät zu tragen, aufzuhängen oder um den Stecker aus der Steckdose zu ziehen. Halten Sie das Kabel fern von Hitze, Öl, scharfen Kanten oder sich bewegendem Geräteteilen.** Beschädigte oder verwickelte Kabel erhöhen das Risiko eines elektrischen Schlages.
- e. **Wenn Sie mit einem Elektrowerkzeug im Freien arbeiten, verwenden Sie nur Verlängerungskabel, die auch für den Außenbereich zugelassen sind.** Die Anwendung eines für den Außenbereich geeigneten Verlängerungskabels verringert das Risiko eines elektrischen Schlages.
- f. **Wenn der Betrieb des Elektrowerkzeuges in feuchter Umgebung nicht vermeidbar ist, verwenden Sie einen Fehlerstromschutzschalter.** Der Einsatz eines Fehlerstromschutzschalters vermindert das Risiko eines elektrischen Schlages.

3. SICHERHEIT VON PERSONEN

- a. **Seien Sie aufmerksam, achten Sie darauf, was Sie tun, und gehen Sie mit Vernunft an die Arbeit mit einem Elektrowerkzeug. Benutzen Sie das Gerät nicht, wenn Sie müde sind oder unter dem Einfluss von Drogen, Alkohol oder Medikamenten stehen.** Ein Moment der Unachtsamkeit beim Gebrauch des Gerätes kann zu ernsthaften Verletzungen führen.
- b. **Tragen Sie persönliche Schutzausrüstung und immer eine Schutzbrille.** Das Tragen persönlicher Schutzausrüstung, wie Staubmaske, rutschfeste Sicherheitsschuhe, Schutzhelm oder Gehörschutz, je nach Art und Einsatz des Elektrowerkzeuges, verringert das Risiko von Verletzungen.
- c. **Vermeiden Sie eine unbeabsichtigte Inbetriebnahme. Vergewissern Sie sich, dass der Schalter in der Position "AUS" ist, bevor Sie den Stecker in die Steckdose stecken.** Wenn Sie beim Tragen des Geräts den Finger am Schalter haben oder das Gerät eingeschaltet an die Stromversorgung anschließen, kann dies zu Unfällen führen.
- d. **Entfernen Sie Einstellwerkzeuge oder Schraubenschlüssel, bevor Sie das Gerät einschalten.** Ein Werkzeug oder Schlüssel, der sich in einem drehenden Geräteteil befindet, kann zu Verletzungen führen.
- e. **Überschätzen Sie sich nicht. Sorgen Sie für einen sicheren Stand und halten Sie jederzeit das Gleichgewicht.** Dadurch können Sie das Gerät in unerwarteten Situationen besser kontrollieren.
- f. **Tragen Sie geeignete Kleidung. Tragen Sie keine weite Kleidung oder Schmuck. Halten Sie Haare und Kleidung fern von sich bewegenden Teilen.** Lockere Kleidung, Schmuck oder lange Haare können von sich bewegenden Teilen erfasst werden.
- g. **Wenn Staubabsaug- und -auffangeinrichtungen montiert werden können, vergewissern Sie sich, dass diese angeschlossen sind und richtig verwendet werden.** Das Verwenden dieser Einrichtungen verringert Gefährdungen durch Staub.
- h. **Lassen Sie nicht zu, dass Sie durch Gewohnheit, die durch häufigen Gebrauch der Geräte erlangt wurde, selbstzufrieden werden und die grundlegenden Sicherheitsprinzipien des Geräts mißachten.** Eine unvorsichtige Tätigkeit kann schwere Verletzung innerhalb Sekundenbruchteilen verursachen.

4. SORGFÄLTIGER UMGANG UND GEBRAUCH VON ELEKTROWERKZEUGEN

- a. **Überlasten Sie das Gerät nicht. Verwenden Sie für Ihre Arbeit das dafür bestimmte Elektrowerkzeug.** Mit dem passenden Elektrowerkzeug arbeiten Sie besser und sicherer im angegebenen Leistungsbereich.
- b. **Benutzen Sie kein Elektrowerkzeug, dessen Schalter defekt ist.** Ein Elektrowerkzeug, das sich nicht mehr ein- oder ausschalten lässt, ist gefährlich und muss repariert werden.
- c. **Ziehen Sie den Stecker aus der Steckdose, bevor Sie Geräteeinstellungen vornehmen, Zubehörteile wechseln oder das Gerät weglegen.** Diese Vorsichtsmaßnahme verhindert den unbeabsichtigten Start des Geräts.
- d. **Bewahren Sie unbenutzte Elektrowerkzeuge außerhalb der Reichweite von Kindern auf. Lassen Sie Personen das Gerät nicht benutzen, die mit diesem nicht vertraut sind oder diese Anweisungen nicht gelesen haben.** Elektrowerkzeuge sind gefährlich, wenn Sie von unerfahrenen Personen benutzt werden.
- e. **Pflegen Sie das Gerät mit Sorgfalt. Kontrollieren Sie, ob bewegliche Geräteteile einwandfrei funktionieren und nicht klemmen, ob Teile gebrochen oder so beschädigt sind, dass die Funktion des Gerätes beeinträchtigt ist. Lassen Sie beschädigte Teile vor dem Einsatz des Geräts reparieren.** Viele Unfälle haben ihre Ursache in schlecht gewarteten Elektrowerkzeugen.

- f. **Halten Sie Schneidwerkzeuge scharf und sauber.** Sorgfältig gepflegte Schneidwerkzeuge mit scharfen Schneidkanten verkleben sich weniger und sind leichter zu führen.
- g. **Verwenden Sie Elektrowerkzeug, Zubehör, Einsatzwerkzeuge usw. entsprechend diesen Anweisungen und so, wie es für diesen speziellen Gerätetyp vorgeschrieben ist. Berücksichtigen Sie dabei die Arbeitsbedingungen und die auszuführende Tätigkeit.** Der Gebrauch von Elektrowerkzeugen für andere als die vorgesehenen Anwendungen kann zu gefährlichen Situationen führen.
- h. **Halten Sie Handgriffe trocken, sauber und frei von Öl und Fett.** Rutschige Handgriffe erlauben keine sichere Handhabung und Kontrolle des Elektrowerkzeuges in unerwarteter Situation.

5. SERVICE

- a. **Lassen Sie Ihr Gerät nur von qualifiziertem Fachpersonal und nur mit Original-Ersatzteilen reparieren.** Damit wird sichergestellt, dass die Sicherheit des Geräts erhalten bleibt.
- b. **Verwenden Sie für Reparatur und Wartung nur originale Teile.** Die Verwendung von nicht dafür vorgesehenem Zubehör oder Ersatzteilen kann zu elektrischem Schlag oder zu Verletzungen führen.

In dieser Betriebsanleitung verwendete Symbole

V.....Volt

A.....Ampere

Hz.....Hertz


W.....watt

~.....Wechselstrom

n_0Nenn Drehzahl

min^{-1}Umdrehungen oder
Zykluszahl pro Minute

 Schutzklasse II

Allgemeine Warnung vor Gefahr



.....Diese Anweisungen lesen



.....Stets Augenschutz tragen



.....Stets eine Atemschutzmaske tragen



.....Stets Gehörschutz tragen



.....Schutzhelm tragen



.....GEFAHR! Halten Sie Ihre Hände von Schnittbereich und Trennscheibe fern



Elektrische Werkzeuge, Zubehör und Verpackung dürfen nicht mit dem Hausmüll entsorgt werden

Sicherheitshinweise für Trennschleifmaschinen

- **Die zum Elektrowerkzeug gehörende Schutzhaube muss sicher angebracht und so eingestellt sein, dass ein Höchstmaß an Sicherheit erreicht wird, d. h. der kleinstmögliche Teil des Schleifkörpers zeigt offen zur Bedienperson. Halten Sie und in der Nähe befindliche Personen sich außerhalb der Ebene der rotierenden Schleifscheibe auf.** Die Schutzhaube soll die Bedienperson vor Bruchstücken und zufälligem Kontakt mit dem Schleifkörper schützen.
- **Verwenden Sie ausschließlich diamantbesetzte Trennscheiben für Ihr Elektrowerkzeug.** Nur weil Sie das Zubehör an Ihrem Elektrowerkzeug befestigen können, garantiert das keine sichere Verwendung.
- **Die zulässige Drehzahl des Einsatzwerkzeugs muss mindestens so hoch sein wie die auf dem Elektrowerkzeug angegebene Höchstdrehzahl.** Zubehör, das sich schneller als zulässig dreht, kann zerbrechen und umherfliegen.
- **Schleifkörper dürfen nur für die empfohlenen Einsatzmöglichkeiten verwendet werden. Z. B.: Schleifen Sie nie mit der Seitenfläche einer Trennscheibe.** Trennscheiben sind zum Materialabtrag mit der Kante der Scheibe bestimmt. Seitliche Krafteinwirkung auf diese Schleifkörper kann sie zerbrechen.
- **Verwenden Sie immer unbeschädigte Spannflansche in der richtigen Größe für die von Ihnen gewählte Schleifscheibe.** Geeignete Flansche stützen die Schleifscheibe und verringern so die Gefahr eines Schleifscheibenbruchs.
- **Verwenden Sie keine abgenutzten Schleifscheiben von größeren Elektrowerkzeugen.** Schleifscheiben für größere Elektrowerkzeuge sind nicht für die höheren Drehzahlen von kleineren Elektrowerkzeugen ausgelegt und können brechen.
- **Außendurchmesser und Dicke des Einsatzwerkzeugs müssen den Maßangaben Ihres Elektrowerkzeugs entsprechen.** Falsch bemessene Einsatzwerkzeuge können nicht ausreichend abgeschirmt oder kontrolliert werden.
- **Schleifscheiben und Flansche müssen genau auf die Schleifspindel Ihres Elektrowerkzeugs passen.** Einsatzwerkzeuge, die nicht genau auf die Schleifspindel des Elektrowerkzeugs passen, drehen sich ungleichmäßig, vibrieren sehr stark und können zum Verlust der Kontrolle führen.
- **Verwenden Sie keine beschädigten Schleifscheiben. Kontrollieren Sie vor jeder Verwendung die Schleifscheiben auf Absplitterungen und Risse. Wenn das Elektrowerkzeug oder die Schleifscheibe herunterfällt, überprüfen Sie, ob es beschädigt ist, oder verwenden Sie eine unbeschädigte Schleifscheibe. Wenn Sie die Schleifscheibe kontrolliert und eingesetzt haben, halten Sie und in der Nähe befindliche Personen sich außerhalb der Ebene der rotierenden Schleifscheibe auf und lassen Sie das Gerät eine Minute lang mit Höchstdrehzahl laufen.** Beschädigte Schleifscheiben brechen meist in dieser Testzeit.
- **Tragen Sie persönliche Schutzausrüstung. Verwenden Sie je nach Anwendung Vollgesichtsschutz, Augenschutz oder Schutzbrille. Soweit angemessen, tragen Sie Staubmaske, Gehörschutz, Schutzhandschuhe oder Spezialschürze, die kleine Schleif- und Materialpartikel von Ihnen fernhält.** Die Augen sollen vor herumfliegenden Fremdkörpern geschützt werden, die bei verschiedenen Anwendungen entstehen. Staub- oder Atemschutzmaske müssen den bei der Anwendung entstehenden Staub filtern. Wenn Sie lange lautem Lärm ausgesetzt sind, können Sie einen Hörverlust erleiden.
- **Achten Sie bei anderen Personen auf sicheren Abstand zu Ihrem Arbeitsbereich. Jeder, der den Arbeitsbereich betritt, muss persönliche Schutzausrüstung tragen.** Bruchstücke des Werkstücks oder gebrochener Einsatzwerkzeuge können wegfliegen und Verletzungen auch außerhalb des direkten Arbeitsbereichs verursachen.
- **Halten Sie das Gerät nur an den isolierten Griffflächen, wenn Sie Arbeiten ausführen, bei denen das Einsatzwerkzeug verborgene Stromleitungen oder das eigene Netzkabel treffen kann.** Der Kontakt mit einer spannungsführenden Leitung kann auch metallene Geräteteile unter Spannung setzen und zu einem elektrischen Schlag führen.

- **Halten Sie das Netzkabel von sich drehenden Einsatzwerkzeugen fern.** Wenn Sie die Kontrolle über das Gerät verlieren, kann das Netzkabel durchtrennt oder erfasst werden und Ihre Hand oder Ihr Arm in das sich drehende Einsatzwerkzeug geraten.
- **Legen Sie das Elektrowerkzeug niemals ab, bevor das Einsatzwerkzeug völlig zum Stillstand gekommen ist.** Das sich drehende Einsatzwerkzeug kann in Kontakt mit der Ablagefläche geraten, wodurch Sie die Kontrolle über das Elektrowerkzeug verlieren können.
- **Lassen Sie das Elektrowerkzeug nicht laufen, während Sie es tragen.** Ihre Kleidung kann durch zufälligen Kontakt mit dem sich drehenden Einsatzwerkzeug erfasst werden und das Einsatzwerkzeug sich in Ihren Körper bohren.
- **Reinigen Sie regelmäßig die Lüftungsschlitze Ihres Elektrowerkzeugs.** Das Motorgebläse zieht Staub in das Gehäuse, und eine starke Ansammlung von Metallstaub kann elektrische Gefahren verursachen.
- **Verwenden Sie das Elektrowerkzeug nicht in der Nähe brennbarer Materialien.** Funken können diese Materialien entzünden.

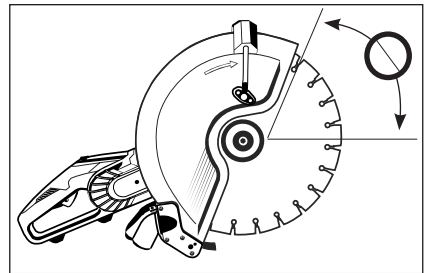
Rückschlag und entsprechende Sicherheitshinweise

- Rückschlag ist die plötzliche Reaktion infolge einer hakenden oder blockierten drehenden Schleifscheibe. Verhaken oder Blockieren führt zu einem abrupten Stopp des rotierenden Einsatzwerkzeugs. Dadurch wird ein unkontrolliertes Elektrowerkzeug gegen die Drehrichtung des Einsatzwerkzeugs an der Blockierstelle beschleunigt. Wenn z. B. eine Schleifscheibe im Werkstück hakt oder blockiert, kann sich die Kante der Schleifscheibe, die in das Werkstück eintaucht, verfangen und dadurch die Schleifscheibe ausbrechen oder einen Rückschlag verursachen. Die Schleifscheibe bewegt sich dann auf die Bedienperson zu oder von ihr weg, je nach Drehrichtung der Scheibe an der Blockierstelle. Hierbei können Schleifscheiben auch brechen. Ein Rückschlag ist die Folge eines falschen oder fehlerhaften Gebrauchs des Elektrowerkzeugs. Er kann durch geeignete Vorsichtsmaßnahmen, wie nachfolgend beschrieben, verhindert werden.
- **Halten Sie das Elektrowerkzeug gut fest und bringen Sie Ihren Körper und Ihre Arme in eine Position, in der Sie die Rückschlagkräfte abfangen können. Verwenden Sie immer den Zusatzgriff, falls vorhanden, um die größtmögliche Kontrolle über Rückschlagkräfte oder Reaktionsmomente beim Hochlauf zu haben.** Die Bedienperson kann durch geeignete Vorsichtsmaßnahmen die Rückschlag- und Reaktionskräfte beherrschen.
- **Bringen Sie Ihre Hand nie in die Nähe sich drehender Einsatzwerkzeuge.** Das Einsatzwerkzeug kann sich beim Rückschlag über Ihre Hand bewegen.
- **Meiden Sie den Bereich vor und hinter der rotierenden Trennscheibe.** Der Rückschlag treibt das Elektrowerkzeug in die Richtung entgegengesetzt zur Bewegung der Schleifscheibe an der Blockierstelle.
- **Arbeiten Sie besonders vorsichtig im Bereich von Ecken, scharfen Kanten usw. Verhindern Sie, dass Einsatzwerkzeuge vom Werkstück zurückprallen und verklemmen.** Das rotierende Einsatzwerkzeug neigt bei Ecken, scharfen Kanten oder wenn es abprallt, dazu, sich zu verklemmen. Dies verursacht einen Kontrollverlust oder Rückschlag.
- **Verwenden Sie kein Ketten- oder gezähntes Sägeblatt sowie keine segmentierte Diamantscheibe mit mehr als 10 mm breiten Schlitzen.** Solche Einsatzwerkzeuge verursachen häufig einen Rückschlag oder den Verlust der Kontrolle über das Elektrowerkzeug.
- **Vermeiden Sie ein Blockieren der Trennscheibe oder zu hohen Anpressdruck. Führen Sie keine übermäßig tiefen Schnitte aus.** Eine Überlastung der Trennscheibe erhöht deren Beanspruchung und die Anfälligkeit zum Verkanten oder Blockieren und damit die Möglichkeit eines Rückschlags oder Schleifkörperbruchs.

- **Falls die Trennscheibe verklemmt oder Sie die Arbeit unterbrechen, schalten Sie das Gerät aus und halten Sie es ruhig, bis die Scheibe zum Stillstand gekommen ist. Versuchen Sie nie, die noch laufende Trennscheibe aus dem Schnitt zu ziehen, sonst kann ein Rückschlag erfolgen.** Ermitteln und beheben Sie die Ursache für das Verklemmen.
- **Schalten Sie das Elektrowerkzeug nicht wieder ein, solange es sich im Werkstück befindet. Lassen Sie die Trennscheibe erst ihre volle Drehzahl erreichen, bevor Sie den Schnitt vorsichtig fortsetzen.** Anderenfalls kann die Scheibe verhaken, aus dem Werkstück springen oder einen Rückschlag verursachen.
- **Stützen Sie Platten oder große Werkstücke ab, um das Risiko eines Rückschlags durch eine eingeklemmte Trennscheibe zu vermindern.** Große Werkstücke können sich unter ihrem eigenen Gewicht durchbiegen. Das Werkstück muss auf beiden Seiten der Scheibe abgestützt werden, und zwar sowohl in der Nähe des Trennschnitts als auch an der Kante.
- **Seien Sie besonders vorsichtig bei „Taschenschnitten“ in bestehende Wände oder andere nicht einsehbare Bereiche.** Die eintauchende Trennscheibe kann beim Schneiden in Gas- oder Wasserleitungen, elektrische Leitungen oder andere Objekte einen Rückschlag verursachen.

Sicherheitswarnungen für Trennschleifer- Zusätzliche Sicherheitshinweise

WARNUNG: Schneiden Sie nicht im oberen Quadranten der Scheibe, besonders zu Beginn des Schnitts. Dieser Bereich führt sehr wahrscheinlich zu einem Rückschlag.



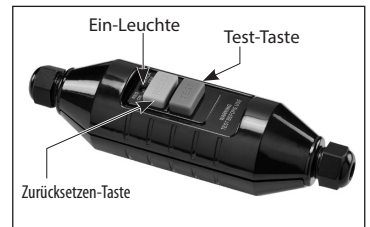
WARNUNG: Achten Sie beim Schneiden von Kunststoffen darauf, dass der Kunststoff nicht schmilzt. Wenn der Kunststoff schmilzt, kann er an der Scheibe kleben bleiben, was zu einem Rückschlag führt.

ELEKTROANSCHLUSS

Die Netzspannung muss mit der Spannungsangabe auf dem Typenschild des Werkzeugs übereinstimmen. Das Werkzeug darf unter keinen Umständen verwendet werden, wenn das Netzkabel beschädigt ist. Ein beschädigtes Kabel muss sofort durch ein autorisiertes Kundendienstzentrum ersetzt werden. Versuchen Sie nicht, das beschädigte Kabel selbst zu reparieren. Die Verwendung von beschädigten Kabeln kann zu einem elektrischen Schlag führen.

WARNUNG: Betreiben Sie niemals eine beschädigte Maschine. Markieren Sie stets eine beschädigte Maschine und nehmen Sie sie außer Betrieb, bis die Reparatur durchgeführt worden ist.

WARNUNG: Diese Maschinen sind mit einer tragbaren Fehlerstrom-Schutzeinrichtung (PRCD), auch bekannt als Fehlerstromschutzschalter (FI-Schalter) ausgestattet. Verwenden Sie dieses Gerät stets bei Benutzung der Maschine, um die Gefahr von Stromschlägen zu reduzieren. Positionieren



Hinweis: FI-Schalter sehen je nach den Anforderungen der verschiedenen Regionen unterschiedlich aus. Fotos dienen nur zur Referenz

Sie den FI-Schalter stets so nahe wie möglich an der Stromquelle. Testen Sie den FI-Schalter vor jedem Gebrauch und stellen Sie ihn zurück. Drücken Sie die Taste „Test“, um zu testen. Drücken Sie die Taste Zurücksetzen „Reset“, um die Maschine mit Strom zu versorgen.

EINLEITUNG

Diese Maschine ist mit zwei Handgriffen und einer Schutzhaube ausgestattet. Der Motor verfügt über Überlast- und Überhitzungsschutz. Sie verfügt über ein integriertes Wasserzufuhrsystem für das Diamantschneiden und einen tragbaren Fehlerschutzschalter für die elektrische Sicherheit. Sie darf nur mit einer Diamanttrenn- oder -schleifscheibe verwendet werden. Sie ist für das Schneiden von Mauerwerk, Stein, Beton, Stahlbeton und ähnlichen Materialien vorgesehen. Alle anderen Verwendungen sind untersagt.

INHALT

- Betonsäge
- Führungsrollenbaugruppe
- M17-Gabelringschlüssel
- Spritzschutz
- Bausatz für Bündigschnitt

MONTAGE

- Bauen Sie die Trennscheibe an. (Siehe „Anbau der Trennscheibe“ unten).
- Bauen Sie die Führungsrollenbaugruppe, falls gewünscht, an (Siehe „Führungsrollenbaugruppe“ unten).
- Bauen Sie die Schutzhaubenbürste an (Siehe „Schutzhaubenbürste“ unten für die Montageanleitung)
- Bauen Sie den Spritzschutz an (Siehe „Spritzschutz“ unten für die Montageanleitung)

DIAMANTSCHLEIFEN

Zulässige Scheibenarten

Diese Maschine darf nur mit Diamanttrenn- oder -schleifscheiben betrieben werden.

- Verwenden Sie nur segmentierte Trennscheiben oder Trennscheiben mit geschlossenem Rand.
- Bei segmentierten Diamanttrennscheiben ist die maximal zulässige Lücke zwischen den Segmenten 10 mm; und sie muss einen negativen Spanwinkel haben.
- Es dürfen nur Diamanttrennscheiben von 405 mm (16") oder kleiner verwendet werden.
- Die Stärke der Scheiben muss mindestens 2,4 mm betragen und darf 6,35 mm nicht überschreiten.

Lagerung und Transport von Trennscheiben

Lagern oder Transportieren Sie die Maschine nicht mit angebauten Trennscheiben. Bauen Sie die Scheibe ab, wenn die Maschine nicht in Gebrauch ist, und lagern Sie sie auf solche Weise, dass sie nicht verbogen oder beschädigt werden kann. Dies verhindert, dass die Scheibe beschädigt wird.

Ein beschädigtes Blatt kann zu unregelmäßigen Bedingungen führen, was wiederum eine gefährliche Unwucht zu Folge haben kann. Prüfen Sie neue Scheiben stets auf Lager- oder Transportschäden.

Über Diamantscheiben

Diamantscheiben bestehen aus einem Stahlkern mit Diamantsegmenten auf seiner Peripherie. Es stehen Diamantscheiben für unterschiedliche Härten von Mauerwerk, Stein, Beton, Stahlbeton etc. zur Verfügung.

Einige Diamantscheiben sind nur für den Nassschnitt konzipiert, andere können für den Trockenschnitt verwendet werden. Siehe Anweisungen des Herstellers der Diamantscheibe.

In der Regel gilt: Auch wenn die Scheibe für Trockenschnitt spezifiziert ist, funktionieren Diamantwerkzeuge mit Wasser immer besser, und Trockenschneiden sollte auf solche Fälle beschränkt werden, in denen das Wasser nicht verwendet werden kann oder darf. Wasser verhindert ein Überhitzen der Scheibe, reduziert die Menge an schädlichem Staub durch das Schneiden, entfernt den Schlamm aus dem Schnitt und verlängert die Lebensdauer der Klinge. Trockenschneiden von sehr harten Materialien wie Porzellan oder Stahlbeton führt zu einem schnellen Verschleiß des Werkzeugs und einem möglichen Ausfall.

Die diamant-impregnierten Segmente funktionieren nach dem Prinzip der kontrollierten Erosion. Die Bindungsmatrix, die die Diamanten hält, wird ständig durch Abrieb am dem Werkstück abgenutzt, wodurch die härteren Diamanten freigelegt werden und aus der Matrix hervorstehen. Scheiben für härtere Materialien haben eine weichere Bindungsmatrix, wodurch die Diamanten aggressiver herausragen (aber nicht so lange halten). Scheiben für weichere, rauere Materialien haben eine härtere Bindungsmatrix, so dass Sie der Rauheit des Materials widerstehen und länger halten. Nach gewissem Abrieb der Bindungsmatrix (die Diamanten werden nicht freigesetzt) wird die Scheibe stumpf. Dies wird als Verglasung bezeichnet. Wenn die Scheibe nicht mehr zu schneiden scheint, ist sie verglast.

Siehe unten: **„Schärfen einer verglasten Scheibe“**

Gehen Sie nie mit einer Stoßbewegung vor, da dadurch die Scheibe beschädigt wird. Umgekehrt sollte der Vorschub aber nicht zu sanft sein, da die Diamantsegmente sonst verglasen. Lassen Sie die Scheibe kontinuierlich laufen.

Achten Sie unbedingt darauf, dass die Scheibe senkrecht zur Schnittfuge ausgerichtet ist. Wenn die Scheibe schräg gehalten wird, kann sie leicht verklemmen. Beim Schneiden von Stahlbeton ist besondere Vorsicht geboten, wenn auf Stahl getroffen wird. Verringern Sie den Vorschubdruck um ca. 1/3 und lassen Sie die Scheibe im eigenen Tempo laufen, da durch zu starke Vibration die Scheibe zerstört werden kann. Sobald der Stahl geschnitten wurde, fahren Sie normal fort.

HINWEIS: Verwenden Sie niemals eine Nassschnitt-Diamantscheibe ohne Wasser. Sie würde überhitzt und zerstört.

HINWEIS: Lassen Sie Trockenschnitt-Scheiben nicht überhitzen. Idealerweise sollte in Intervallen von jeweils 60 Sekunden geschnitten werden, mit jeweils 10 Sekunden zum Abkühlen an der Luft dazwischen.

Bauen Sie die Scheibe stets mit dem Pfeil in Drehrichtung der Maschine an (auf der Schutzhaube ist die Pfeilrichtung markiert).

WARNUNG: Verwenden Sie niemals Scheiben zum Schneiden anderer Materialien als der Materialien, für die sie bestimmt sind.

SCHÄRFEN EINER VERGLASTEN SCHEIBE

Diamantscheiben können verglasten (stumpf werden). Sobald die Diamantsegmente verglast sind, wird die Schnittleistung der Scheibe beeinträchtigt, und die Segmente werden überhitzt. Zum Schärfen der Scheibe drehen Sie die Wasserzufuhr ab und führen Sie einige Schnitte in einem sehr weichen, rauen Material wie Ziegelstein, Aluminiumoxid oder Siliziumkarbid durch.

ANBAU DER TRENNSCHEIBE

Stellen Sie zunächst sicher, dass die Maschine ausgesteckt ist.

Halten Sie dann mit dem 17 mm-Gabelringschlüssel den Dornbolzen und drehen Sie den Dorn, während Sie auf die Dornverriegelung drücken. Wenn der Dorn die richtige Position erreicht hat, rastet die Dornverriegelung ein. Dann kann der Dornbolzen gelöst und der ebene äußere Flansch abgenommen werden.

Der innere Flansch dieser Maschine ist 1" (25,4 mm). Überprüfen Sie den inneren Flansch, um sicherzustellen, dass die Größe mit der Bohrung der Scheibe übereinstimmt.

Inspizieren Sie die Scheibe vor der Verwendung. Sie darf nicht gerissen, verbogen oder in irgendeiner Weise beschädigt sein, dass sie eine Gefährdung beim Betrieb verursachen könnte. Lose Diamantsegmente können bei hoher Geschwindigkeit weggeschleudert werden, was zu Verletzungen führen kann. Überprüfen Sie stets, dass die Diamantsegmente nicht zu sehr abgeschliffen sind. Wenn die Diamantsegmente dünner oder etwas dünner als die Scheibenkerne sind, wird die Schnittfuge zu eng, was zu einem Rückschlag führen kann.

Stellen Sie sicher, dass die Flansche und die Scheibenbohrung sauber und unbeschädigt sind und richtig zusammenpassen. Die Flansche dürfen nicht verwendet werden, wenn Sie verzogen sind, ihre Oberfläche uneben ist, Grate haben oder verschmutzt sind. Der Dornbolzen und das Dorngewinde müssen unbeschädigt sein. Überprüfen Sie die Scheiben auf Schäden an den Segmenten oder Dornbohrungen oder andere Schäden, die zu Gefahren beim Betrieb führen könnten.

Die hervorstehende Kante des inneren Flansches muss in Richtung der Scheibe zeigen. Bauen Sie dann die Scheibe auf den inneren Flansch an und setzen Sie den äußeren Flansch auf. Stecken Sie den Dornbolzen ein und ziehen Sie ihn mit 15 bis 25 Nm fest.

WARNUNG: Versuchen Sie nicht, eine Scheibe anzubauen, die nicht an die Maschine passt. Dies würde zu einer Unwucht und Vibrationen führen, die unkontrollierbar werden.

EINSTELLUNG DER SCHUTZHAUBE

Die Scheibe dreht sich im Uhrzeigersinn von der Dornseite aus gesehen. Daher wird die meisten Schnittstaub, sowie Funken und der Schlamm nach hinten ausgeworfen. Daher sollte der Schutz so eingestellt werden, dass die hintere Kante bündig mit dem Werkstück ist.

EINSTELLUNG

Ziehen Sie zuerst den Verriegelungshebel gegen die Federspannung und drehen Sie dann die Schutzhaube in die gewünschte Position. Lassen Sie den Verriegelungshebel in den nächstgelegenen Schlitz im Schutz einrasten.



SCHUTZHAUBENBÜRSTE

Es befindet sich eine abnehmbare Bürste an der Rückseite der Schutzhaube, die dazu beiträgt Funken, Staub, Schmutz und Schlamm zurückzuhalten. Zum Einbauen drücken Sie einfach die Bürste in den Schlitz an der Unterseite der Absauganschlusshalterung, bis sie einrastet. Diese Bürste kann gerade herausgezogen werden um sie zu ersetzen, wenn sie abgenutzt ist.

SPRITZSCHUTZ

Der federbelastete Spritzschutz hilft, den Schlamm, der nach hinten spritzt, zu lenken.

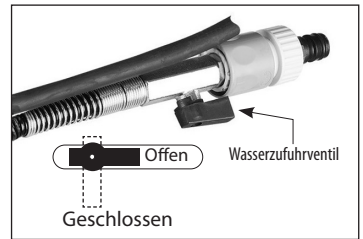
Zum Anbau wird er einfach an der Rückseite der Absauganschlusshalterung eingerastet. Zum Abbau wird er nach gekippt, bis er freispringt.

Wenn der Spritzschutz nicht erforderlich ist wie z. B. beim Trockenschneiden, kann er nach oben weggekippt werden. Einfach den Spritzschutz an der Halterung einrasten. Zum lösen ausrasten.

WASSERANSCHLUSS

Wasser ist eine Grundvoraussetzung für das Nass-Diamantschneiden. Das Wasser dient als Kühlmittel, um die Arbeitsoberfläche der Diamantsegmente vor Überhitzung zu schützen. Wasser bindet auch Staub und spült Abriebteilchen weg.

WARNUNG: Verwenden Sie stets den tragbaren Fehlerschutzschalter (FI-Schalter) beim Betrieb mit Wasser.



WARNUNG: Lassen Sie niemals Wasser in den Motor gelangen. Dies kann zu einem elektrischen Schlag führen.

WARNUNG: Überprüfen Sie alle Anschlüsse des Wasserzufuhrsystems auf Leckagen. Überprüfen Sie die Schläuche und andere wichtige Teile, die verschlissen oder beschädigt sein können.

WARNUNG: Der maximale Wasserdruck sollte 70 psi (4 bar) nicht überschreiten.

Sollten sich in der Nähe Gegenstände befinden, die durch Wasser beschädigt werden könnten, verwenden Sie einen Wassersammelbehälter und einen Nasssauger, um das Kühlwasser aufzufangen. Das Wasserzufuhrsystem ist in die Maschine eingebaut. Zum Anschließen an die Wasserversorgung ziehen Sie zuerst die Schnellverschlussmanschette heraus, um das Außenteil des Anschlusses zu lösen. Lösen Sie dann die Mutter und verbinden Sie die Kupplung mit dem Wasser Schlauch. Stecken Sie nun die Wasserkupplung wieder auf das Wasserzufuhrventil. Drücken Sie sie hinein, bis sie einrastet.

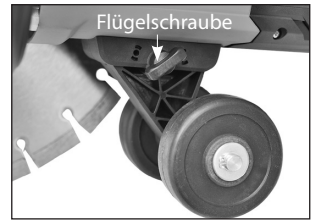
Der Wasserdurchfluss wird durch das Wasserzufuhrventil gesteuert. Das Wasser für die Scheibe kann auf die gewünschte Menge fein eingestellt werden.

HINWEIS: Verschmutzungen in der Wasserversorgung können leicht die feinen Düsen in der Schutzhaube verstopfen.

Stellen Sie sicher, dass das Wasser sauber ist. Wenn Sie feststellen, dass kein Wasser auf die Scheibe fließt, reinigen Sie das Wasserzufuhrsystem der Maschine.

FÜHRUNGSROLLENBAUGRUPPE

Die Führungsrollen erleichtern es, die Scheibe senkrecht zum Werkstück zu halten. Zur Montage lösen Sie die Flügelschraube leicht, rasten Sie die vier Greifer in die vier Ösen auf der Unterseite des Motorgehäuses ein und ziehen Sie dann die Flügelschraube an.



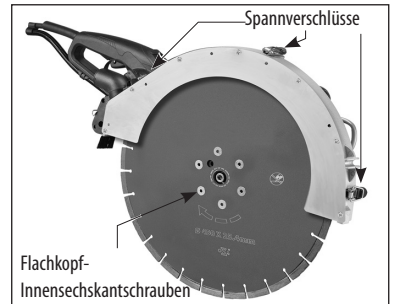
BAUSATZ FÜR BÜNDIGSNITT

EINLEITUNG

Mit dem Bausatz für Bündigschnitt kann eine Scheibe für Bündigschnitt (nicht im Lieferumfang enthalten) an der Maschine angebracht werden, um bündige Schnitte durchzuführen, während die äußere Schutzhaube vorübergehend entfernt wird.

INHALT

1. Bündigschnitt-Flansch
2. Innensechskant-Dornbolzen und Unterlegscheibe
3. Flachkopf-Innensechskantschrauben x 6
4. M5-L-Inbusschlüssel
5. M8-L-Inbusschlüssel
6. Bündigschnitt-Abdeckung und Flachkopfschrauben x 7



MONTAGE

Entfernen Sie vor der Montage des Bausatzes für Bündigschnitt zunächst die Dornbolzen, Flansche und Scheibe für den Standardbetrieb gemäß der Betriebsanleitung.

1. Entfernen Sie den Wasserschlauch von der Wasserdüse auf der äußeren Schutzhaube und schließen Sie ihn an die alternative Wasserdüse an der inneren Schutzhaube an.
2. Nehmen Sie den Spritzschutz ab und lösen Sie die 7 Schrauben, mit denen die äußere Schutzhaube befestigt ist.
3. Lösen Sie die 3 Spannverschlüsse und drücken Sie die lockeren Teile in die Plastik-Clips, um ein Klappern zu vermeiden.
4. Heben Sie die äußere Schutzhaube und bewahren Sie sie an einem sicheren Ort auf.
5. Montieren Sie den Bündigschnitt-Flansch auf den Dorn, und sichern Sie ihn mit der Unterlegscheibe und dem Innensechskant-Dornbolzen. Rasten Sie den Dornbolzen ein und ziehen Sie ihn mit dem M8-L-Inbusschlüssel fest.



WARNUNG: Verwenden Sie keine Distanzstücke oder anderen Flansche unter dem Bündigschnitt-Flansch!

6. Montieren Sie die Scheibe für Bündigschnitt an den Flansch, richten Sie die Bohrungen aus und schrauben Sie die Flachkopf-Innensechskantschrauben ein. Ziehen Sie die Schrauben mit dem M5-L-Inbusschlüssel gleichmäßig über Kreuz an.
7. Bringen Sie die Bündigschnitt-Abdeckung an und ziehen Sie die sieben Flachkopfschrauben an.

WARNUNG: Betreiben Sie das Gerät nicht ohne angebrachte Abdeckung.

8. Sobald der Bündigschnitt abgeschlossen ist, bringen Sie die Säge sofort wieder in die Standard-Schnittkonfiguration.

HINWEIS: Es gibt einen Versatz von ungefähr 1 mm oder weniger (abhängig von der Dicke der Diamantsegmente).

Da die Schutzhaube jedoch ein gewisses Maß an Flexibilität aufweist, wird durch leichtes Herunterdrücken vollständige Bündigkeit erreicht. Das eigentliche Schneiden erfolgt zu 100 % bündig. Es muss ein geringer Versatz vorhanden sein, damit die Scheibe in Fällen, in denen dies erforderlich ist, keine Kratzspuren im Material hinterlässt. Um Kratzspuren zu vermeiden, wenden Sie keinen Anpressdruck auf, und um 100 % bündig zu schneiden, wenden Sie etwas Anpressdruck auf.

WARNUNG: Arbeiten Sie immer mit angebrachter äußerer Schutzhaube, während Sie Standardschnitte ausführen. Betreiben Sie die Säge niemals mit abgebauter äußerer Schutzhaube, außer bei Bündigschnitten.

WARNUNG: Überprüfen Sie regelmäßig den festen Sitz der Befestigungsschrauben und der Dornschraube.

WARNUNG: Wenn ungewöhnliche Vibrationen während des Betriebs auftreten, stoppen Sie die Säge sofort und suchen Sie die Ursache, bevor Sie fortfahren.

ÜBERLASTSCHUTZ, ÜBERHITZUNGSSCHUTZ

Überlast- und Last-Warnleuchte

Wenn die Volllast erreicht ist, blinkt die Last-Warnleuchte rot. Wenn die Volllast zu lange überschritten wird, wird der Motor abgeschaltet und die Warnleuchte leuchtet durchgehend rot. In diesem Fall muss der Motor zuerst abgeschaltet und dann neu gestartet werden.



Überhitzungsschutz

Wenn die Temperatur des Motors zu hoch wird, schaltet der Überhitzungsschutz den Motor ab. Der Schalter muss zuerst aus- und dann wieder eingeschaltet werden. In diesem Fall darf nicht sofort nach dem Neustart des Motors wieder geschnitten werden. Lassen Sie die Maschine immer ohne Last für einige Minuten laufen, bis sie wieder die normale Betriebstemperatur erreicht hat, bevor Sie mit der Arbeit fortfahren.

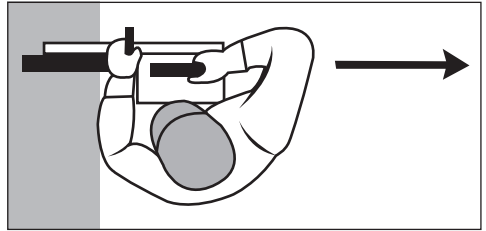
ACHTUNG: Der Motor wird beschädigt, wenn er wiederholt überlastet oder überhitzt wird. Lassen Sie stets den Motor ohne Last für einige Minuten laufen, nachdem er wegen Überhitzung oder Überlastung

abgeschaltet wurde.

BEDIENUNG

Halten der Maschine

- Halten Sie die Maschine stets mit beiden Händen, mit der rechten Hand am Hauptgriff und mit der linken Hand am Seitengriff. (Dies gilt auch dann, wenn der Bediener Linkshänder ist.)
- Stehen Sie nicht direkt hinter der Scheibe. Stehen Sie vielmehr so, dass Sie sich bei einem Rückschlag nicht im Weg der Scheibe befinden.
- Beugen Sie sich niemals über den Schnittweg der Scheibe. Dadurch wäre Ihr Körper bei einem Rückschlag im Weg der Scheibe.
- Schneiden Sie nicht über Schulterhöhe.
- Schneiden Sie niemals, wenn Sie auf einer Leiter oder einer anderen unstabilen Plattform stehen.

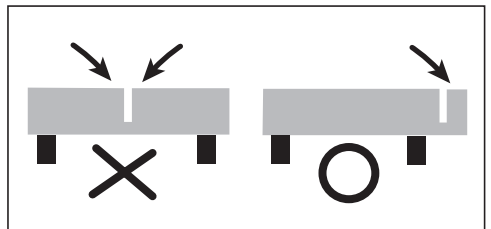


Vor dem Schneiden

- Überprüfen Sie die Umgebung, in der geschnitten werden soll, um sicherzustellen, dass sich dort keine Gegenstände befinden, die dazu führen könnten, dass der Bediener stolpert.
- Vor dem Schneiden, ist es manchmal nützlich, die Schnittlinie mit Kreide oder dergleichen zu markieren. Für gerade Schnitte kann ein Holzbrett zu Führung der Maschine nützlich sein.
- Stellen Sie sicher, dass alle umstehenden Personen sich in einem sicheren Abstand befinden.
- Stellen Sie sicher, dass alle Sicherheitsvorrichtungen vorhanden sind

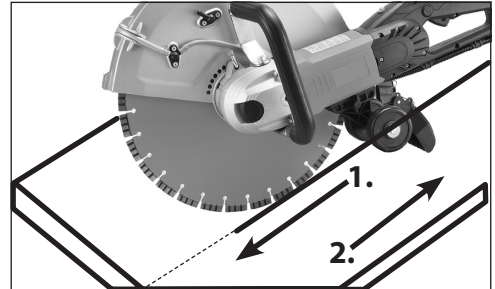
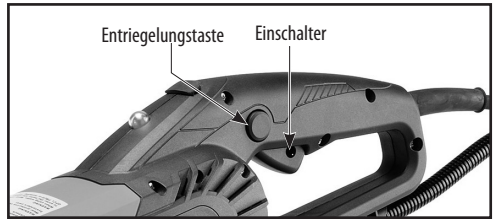
Die richtige Stütze des Werkstücks

- Stützen Sie das Werkstück so ab, dass die Schnittfuge nicht nach unten auf die Scheibe drückt.
- Befestigen Sie das Werkstück, so dass es nicht aufgrund der Vibrationen beim Schneiden wegrrollen oder verrutschen kann.
- Bei Ausschnitten ist die Schnittfolge wichtig. Führen Sie den letzten Schnitt immer so aus, dass die Scheibe nicht eingeklemmt wird. Führen Sie daher den unteren horizontalen Schnitt zuerst aus, dann die seitlichen Schnitte und schließlich den oberen horizontalen Schnitt.
- Beachten Sie das Gewicht des Werkstücks und die Richtung, in die es fallen wird, wenn es durchgeschnitten wird.
- Immer, wenn durch das Abtrennen des Werkstücks eine gefährliche Situation verursacht wird, lassen Sie einen Steg des Materials intakt und beenden Sie den Vorgang mit einem Meißel oder ähnlichem Werkzeug.



Schneidetechnik

- Halten Sie die Maschine mit beiden Händen fest, um dem Anfahrtdrehmoment widerstehen zu können, drücken Sie die Entriegelungstaste und dann den Einschalter.
- Lassen Sie die Maschine die volle Geschwindigkeit erreichen, bevor Sie sie an das Werkstück ansetzen.
- Stellen Sie den Wasserfluss mit dem Wasserzufuhrventil ein.
- Beginnen Sie dann vorsichtig den Schnitt mit dem hinteren Teil der Scheibe, bis die Schnittfuge hergestellt ist. Führen Sie den ersten Schnitt nach vorn aus (so dass Sie die Schnittlinie sehen können). Danach führen Sie die weiteren Schnitte in rückwärtiger Richtung aus.
- Versuchen Sie nicht, in einem Durchlauf zu tief zu schneiden. Überschreiten Sie niemals 50 mm (2") pro Durchlauf.
- Es ist sinnvoll, zuerst eine flache Führungsnut zu schneiden, bevor Sie den Hauptschnitt ausführen. Wenn eine Korrektur erforderlich ist, heben Sie die Scheibe nach oben und schneiden Sie ein kleines Stück nach vorn und kehren Sie dann wieder zurück in die vorhandene Schnittfuge. Achten Sie darauf, dass die Scheibe nicht eingeklemmt wird.
- Bei runden Werkstücken ist es die beste Technik, eine langsame und gleichmäßige Hin- und Herbewegung auszuführen, während mit dem unteren Quadranten der Scheibe geschnitten wird.
- Lassen Sie die Maschine sich nicht festfahren. Begrenzen Sie Ihren Vorschubdruck, damit die Scheibe sich mit gleichbleibend hoher Geschwindigkeit dreht.
- Belasten Sie die Scheibe niemals seitlich in der Schnittfuge.
- Betonschneiden ist sehr belastend für den Motor: Es hat sich bewährt, nach dem Schnitt die Maschine für eine kurze Zeit ohne Last laufen zu lassen, um die Temperatur des Motors zu senken, bevor er gestoppt wird.



Stoppen

Lassen Sie den Einschalter los, um die Maschine zu stoppen. Nachdem der Einschalter losgelassen wird, dreht sich die Scheibe noch für einige Zeit.

WARNUNG: Setzen Sie die Maschine nicht ab, solange sich die Scheibe noch dreht.

Hinweis: Stellen Sie stets sicher, dass der Staubsaugerbeutel nicht zu voll ist. Ein übervoller Staubbeutel reduziert die Effizienz der Staubabsaugung, was zu ungenügendem Staubschutz führt.

WARTUNG UND REINIGUNG

Diese Maschine wird in einer sehr rauen Umgebung betrieben. Der Schlamm, der beim Nassschneiden entsteht, bzw. der Staub, der beim Trockenschneiden entsteht, wird durch die Lüftungsschlitze der

Motorkühlung angesaugt und gelangt in den Motor. Der Ziegel- und Betonschlamm enthält Salze und andere ätzende Stoffe, die die Lebensdauer des Motors stark verkürzen oder Kurzschlüsse verursachen können, wenn sie sich ansammeln.

Daher ist es wichtig, dass das Werkzeug nach jeder Benutzung gründlich gereinigt wird, um eine lange Lebensdauer zu erreichen.

Dazu sollte Druckluft durch die Lüftungsschlitze an der Rückseite der Maschine geblasen werden, während der Motor läuft.

Tägliche Wartung

- Halten Sie die Maschine sauber.
- Überprüfen Sie, ob das Netzkabel in einem guten Zustand ist.
- Stellen Sie sicher, dass alle Schrauben fest angezogen sind.
- Überprüfen Sie den Zustand aller Sicherheitsvorrichtungen wie z. B. die Schutzhaube.
- Überprüfen Sie die Trennscheibe auf Beschädigungen.

Kohlebürsten

Die Kohlebürsten sind normale Verschleißteile und müssen ersetzt werden, wenn sie verschlissen sind. Diese Maschine ist mit Auto-Stopp-Kohlebürsten ausgestattet. Wenn die Maschine unerwartet zum Stillstand kommt, sollten die Bürsten überprüft werden. Das Auto-Stopp-Bürstendesign schützt den Motor, indem die Maschine angehalten wird, bevor die Kohlebürsten völlig abgenutzt sind.

Achtung: Ersetzen Sie die Bürsten immer als Paar.

Austausch der Bürsten

1. Drehen Sie die Schraube heraus und nehmen Sie die Bürstenabdeckung ab.
2. Schieben Sie mit einer Zange die Bürstenfeder zur Seite und schieben Sie die alte Kohlebürste aus der Bürstenhalterung.
3. Drehen Sie die Schraube heraus und nehmen Sie den Anschlussdraht ab. Die alte Kohlebürste kann jetzt abgenommen werden.
4. Bauen Sie eine neue Bürste an. Den Einbau erfolgt in umgekehrter Reihenfolge des Ausbaus.
5. Setzen Sie die Bürstenabdeckung wieder auf.



Wenn der Austausch des Netzkabels erforderlich ist, hat dies durch den Hersteller oder dessen Vertreter zu erfolgen, um ein Sicherheitsrisiko zu vermeiden.

WARNUNG: Alle Reparaturen müssen von einem autorisierten Service-Center ausgeführt werden. Inkorrekt durchgeführte Reparaturen können zu Verletzungen oder zum Tod führen.

Elektrowerkzeuge nicht im Hausmüll entsorgen!

Gemäß der europäischen Richtlinie 2002/96/EG über Elektro- und Elektronik-Altgeräte und Umsetzung in nationales Recht müssen Elektrowerkzeuge separat gesammelt und umweltgerecht recycelt werden.

Geräusch-/Vibrationsinformationen

Gemessen entsprechend EN 60745-2-22

Modell-Nr.: C 16

Geräuschpegel: Schalldruckpegel(L_{pA}): 105,0 dB(A) Schalleistungspegel(L_{WA}): 116,0 dB(A) $K=3,0$ dB(A)

Vibrationswert: $a_h = 3,9$ m/s² $K = 1,5$ m/s²

Der Vibrationsemissionswert wurde in Übereinstimmung mit einem standardisierten Test gemäß EN 60745 gemessen. Er kann dazu verwendet werden, ein Werkzeug mit einem anderen zu vergleichen, sowie zur vorläufigen Beurteilung der Exposition gegenüber Vibrationen, wenn das Werkzeug für die genannten Anwendungen verwendet wird.

- Die Verwendung des Werkzeugs für andere Anwendungen, oder mit anderem oder schlecht gewartetem Zubehör kann die Belastung erheblich erhöhen.
- Zeiten, in denen das Werkzeug abgeschaltet ist oder im Leerlauf läuft, können die Belastung erheblich verringern.

Schützen Sie sich gegen die Belastung durch Vibrationen, indem Sie das Werkzeug und das Zubehör korrekt warten, Ihre Hände warm halten und Ihre Arbeitsmuster organisieren.

CE-Konformitätserklärung

• Wir erklären in alleiniger Verantwortung, dass dieses Produkt mit den folgenden Normen oder normativen Dokumenten übereinstimmt: EN 60745-1: 2009 + A11: 2010 & EN 60745-2-22: 2011 + A11: 2013, EN 61000, EN55014 in Übereinstimmung mit den Verordnungen 2006/42/EG, 2014/30/EG, 2011/65/EU

• Technische Unterlagen: LEE YEONG INDUSTRIAL CO., LTD., NO.2, KEJIA RD., DOULIU CITY, YUNLIN COUNTY 64057, TAIWAN

You-Chun, Liu
Operation & Engineering

You chun Liu

Chih-Hao, Lai
Approval Manager

chih hao lai

LEE YEONG INDUSTRIAL CO., LTD.,
NO.2, KEJIA RD., DOULIU CITY, YUNLIN COUNTY 64057, TAIWAN 12.30.2016

LEE YEONG INDUSTRIAL CO., LTD.

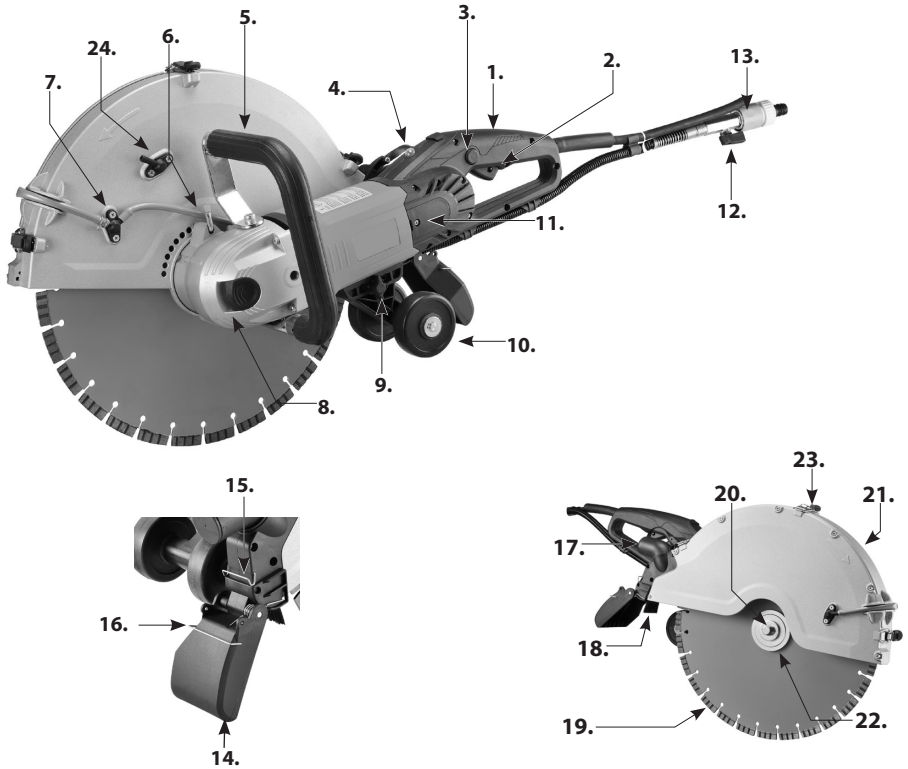
NO.2, KEJIA RD., DOULIU CITY,
YUNLIN COUNTY 64057, TAIWAN

TEL: 886-5-5518689 (REP)

Fax: 886-5-5518635

CARACTÉRISTIQUES TECHNIQUES

Modèle	C16
Tension d'entrée	230V: 2700W (3200W réels), 115V: 2300W (3000W réels)
Tension	220-240V~ 50/60Hz, 110-120V~ 50/60Hz (Voir la plaque signalétique de la machine)
Vitesse nominale	n=3900 min ⁻¹
Diamètre de la lame	405mm (16")
Mandrin	25,4mm (1")
Profondeur de coupe max.	150mm (6 ")
Poids	9,6kg (21.1 Lbs) (10kg (22.2 Lbs) avec les galets de guidage)



- | | |
|---|--|
| <ul style="list-style-type: none"> 1. Poignée principale 2. Commutateur Déclencheur 3. Bouton de libération 4. Témoin d'avertissement de charge 5. Poignée latérale 6. Levier de verrouillage de la protection de la lame 7. Bec d'alimentation en eau 8. Bouton de verrouillage du mandrin 9. Boulon papillon 10. Montage du rouleau guide 11. Couvercle du balai 12. Vanne Alimentation Eau | <ul style="list-style-type: none"> 13. Couplage de l'eau 14. Protection contre les éclaboussures 15. Clip femelle 16. Clip mâle 17. Port pour aspirateur 18. Balai de la protection de la lame 19. Lame à diamant 20. Boulon du mandrin 21. Protège-lame 22. Bride extérieure 23. Loquets de basculement 24. Bec alternatif pour l'eau |
|---|--|

INDICATIONS GÉNÉRALES DE SÉCURITÉ



ATTENTION ! Lire toutes les consignes de sécurité et indications. Le non-respect des avertissements et instructions indiqués ciaprès peut entraîner un choc électrique, un incendie et/ou de graves blessures.

Conserver tous les avertissements et toutes les instructions pour pouvoir s'y reporter ultérieurement.

Le terme « outil » dans les avertissements fait référence à votre outil électrique alimenté par le secteur (avec cordon d'alimentation) ou votre outil fonctionnant sur batterie (sans cordon d'alimentation).

1. PLACE DE TRAVAIL

- a. **Maintenez l'endroit de travail propre et bien éclairé.** Un lieu de travail en désordre ou mal éclairé augmente le risque d'accidents.
- b. **N'utilisez pas l'appareil dans un environnement présentant des risques d'explosion et où se trouvent des liquides, des gaz ou poussières inflammables.** Les outils électroportatifs génèrent des étincelles risquant d'enflammer les poussières ou les vapeurs.
- c. **Tenez les enfants et autres personnes éloignés durant l'utilisation de l'outil électroportatif.** En cas d'inattention vous risquez de perdre le contrôle sur l'appareil.
- d. **Ne laissez pas l'outil électrique fonctionner sans surveillance.** Ne vous éloignez de l'outil électrique que lorsque l'accessoire est complètement immobilisé.

2. SÉCURITÉ RELATIVE AU SYSTÈME ÉLECTRIQUE

- a. **La fiche de secteur de l'outil électroportatif doit être appropriée à la prise de courant. Ne modifiez en aucun cas la fiche. N'utilisez pas de fiches d'adaptateur avec des appareils avec mise à la terre.** Les fiches non modifiées et les prises de courant appropriées réduisent le risque de choc électrique.
- b. **Évitez le contact physique avec des surfaces mises à la terre tels que tuyaux, radiateurs, fours et réfrigérateurs.** Il y a un risque élevé de choc électrique au cas où votre corps serait relié à la terre.
- c. **N'exposez pas l'outil électroportatif à la pluie ou à l'humidité.** La pénétration d'eau dans un outil électroportatif augmente le risque d'un choc électrique.
- d. **N'utilisez pas le câble à d'autres fins que celles prévues, n'utilisez pas le câble pour porter l'appareil ou pour l'accrocher ou encore pour le débrancher de la prise de courant. Maintenez le câble éloigné des sources de chaleur, des parties grasses, des bords tranchants ou des parties de l'appareil en rotation.** Un câble endommagé ou torsadé augmente le risque d'un choc électrique.
- e. **Au cas où vous utiliseriez l'outil électroportatif à l'extérieur, utilisez une rallonge autorisée homologuée pour les applications extérieures.** L'utilisation d'une rallonge électrique homologuée pour les applications extérieures réduit le risque d'un choc électrique.
- f. **Si l'usage d'un outil dans un emplacement humide est inévitable, utiliser une alimentation protégée par un dispositif à courant différentiel résiduel (RCD).** L'usage d'un RCD réduit le risque de choc électrique.

3. SÉCURITÉ DES PERSONNES

- a. **Restez vigilant, surveillez ce que vous faites. Faites preuve de bon en utilisant l'outil électroportatif. N'utilisez pas l'appareil lorsque vous êtes fatigué ou après avoir consommé de l'alcool, des drogues ou avoir pris des médicaments.** Un moment d'inattention lors de l'utilisation de l'appareil peut entraîner de graves blessures sur les personnes.
- b. **Portez des équipements de protection. Portez toujours des lunettes de protection.** Le fait de porter des équipements de protection personnels tels que masque anti-poussières, chaussures de sécurité antidérapantes, casque de protection ou protection acoustique suivant le travail à effectuer, réduit le risque de blessures.
- c. **Évitez une mise en service par mégarde. Assurez-vous que l'interrupteur est effectivement en position d'arrêt avant de retirer la fiche de la prise de courant.** Le fait de porter l'appareil avec le doigt sur l'interrupteur ou de brancher l'appareil sur la source de courant lorsque l'interrupteur est en position de fonctionnement, peut entraîner des accidents.
- d. **Enlevez tout outil de réglage ou toute clé avant de mettre l'appareil en fonctionnement.** Une clé ou un outil se trouvant sur une partie en rotation peut causer des blessures.
- e. **Ne surestimez pas vos capacités. Veillez à garder toujours une position stable et équilibrée.** Ceci vous permet de mieux contrôler l'appareil dans des situations inattendues.
- f. **Portez des vêtements appropriés. Ne portez pas de vêtements amples, ni de bijoux. Gardez les cheveux et les vêtements à distance des pièces mobiles.** Des vêtements amples, des bijoux ou des cheveux longs peuvent être happés par les pièces en mouvement.
- g. **Si des dispositifs servant à aspirer ou à recueillir les poussières doivent être utilisés, vérifiez que ceux-ci soient effectivement raccordés et qu'ils sont correctement utilisés.** L'utilisation de tels dispositifs réduit les dangers dus aux poussières.
- h. **Ne devenez pas trop sûr de vous, par habitude suite à une utilisation fréquente de l'appareil, de manière à ne pas respecter les principes de sécurité de base de l'appareil.** Une action imprudente peut occasionner de graves blessures en l'espace d'une fraction de seconde.

4. UTILISATION ET EMPLOI SOIGNEUX DE L'OUTIL ÉLECTROPORTATIF

- a. **Ne surchargez pas l'appareil. Utilisez l'outil électroportatif approprié au travail à effectuer.** Avec l'outil électroportatif approprié, vous travaillerez mieux et avec plus de sécurité à la vitesse pour laquelle il est prévu.
- b. **N'utilisez pas un outil électroportatif dont l'interrupteur est défectueux.** Un outil électroportatif qui ne peut plus être mis en ou hors fonctionnement est dangereux et doit être réparé.
- c. **Retirez la fiche de la prise de courant avant d'effectuer des réglages sur l'appareil, de changer les accessoires, ou de ranger l'appareil.** Cette mesure de précaution empêche une mise en fonctionnement par mégarde.
- d. **Gardez les outils électroportatifs non utilisés hors de portée des enfants. Ne permettez pas l'utilisation de l'appareil à des personnes qui ne se sont pas familiarisées avec celui-ci ou qui n'ont pas lu ces instructions.** Les outils électroportatifs sont dangereux lorsqu'ils sont utilisés par des personnes non initiées.
- e. **Prenez soin des outils électroportatifs. Vérifiez que les parties en mouvement fonctionnent correctement et qu'elles ne soient pas coincées, et contrôlez si des parties sont cassées ou endommagées de telle sorte que le bon fonctionnement de l'appareil s'en trouve entravé. Faites**

réparer les parties endommagées avant d'utiliser l'appareil. De nombreux accidents sont dus à des outils électroportatifs mal entretenus.

- f. Maintenez les outils de coupe aiguisés et propres.** Des outils soigneusement entretenus avec des bords tranchants bien aiguisés se coincent moins souvent et peuvent être guidés plus facilement.
- g. Utilisez les outils électroportatifs, les accessoires, les outils à monter etc. conformément à ces instructions et aux prescriptions en vigueur pour ce type d'appareil. Tenez compte également des conditions de travail et du travail à effectuer.** L'utilisation des outils électroportatifs à d'autres fins que celles prévues peut entraîner des situations dangereuses.
- h. Gardez les poignées dans un état sec, propre et exempt d'huile et de graisse.** Des poignées glissantes ne permettent pas une prise en main sûre et le contrôle de l'outil électrique dans des situations inattendues.

5. SERVICE

- a. Ne faites réparer votre outil électroportatif que par un personnel qualifié et seulement avec des pièces de rechange d'origine.** Ceci permet d'assurer la sécurité de l'appareil.
- b. Pour la réparation et l'entretien, n'utilisez que des pièces d'origine .** L'utilisation d'accessoires ou de pièces de rechange non adaptés risque de provoquer une électrocution ou des blessures.

symboles utilisés dans ce manuel

V.....volts

A.....ampères

Hz.....hertz

W.....watts

~.....courant alternatif

n_0 vitesse nominale

min^{-1} révolutions ou alternance par minute



.....classe d'outil II



.....Avertissement de danger général



.....lisez ces instructions



.....Portez toujours des lunettes de protection.



..... Toujours porter un masque anti-poussière.



.....Portez toujours une protection auditive



.....Portez un casque de sécurité agréé



.....DANGER ! Maintenez vos mains éloignées de la zone de coupe et de la lame.



ne jetez pas les outils électriques, les accessoires et les emballages avec les déchets ménagers

Avvertissements de sécurité pour les tronçonneuses à disques

- **Le carter fourni avec l'outil doit être solidement fixé sur l'outil électrique et positionné pour assurer une sécurité maximale, la partie de la meule exposée à l'opérateur étant la plus faible possible. Se placer soi-même et faire placer les personnes présentes hors du plan de la meule rotative.** Le carter aide à protéger l'opérateur des fragments cassés de meule et d'un contact accidentel avec la meule.
- **Utiliser uniquement des meules pour tronçonnage diamantées avec votre outil électrique.** Le fait qu'un accessoire puisse être fixé sur votre outil électrique ne suffit pas à assurer un fonctionnement en toute sécurité.
- **La vitesse assignée de l'accessoire doit être au moins égale à la vitesse maximale indiquée sur l'outil électrique.** Les accessoires fonctionnant plus vite que leur vitesse assignée peuvent se rompre et voler en éclat.
- **Les meules ne doivent être utilisées que pour les applications recommandées. Par exemple: ne pas meuler avec la tranche de la meule.** Les meules de tronçonnage abrasives sont prévues pour un meulage périphérique, les forces transversales appliquées à ces meules peuvent les briser.
- **Toujours utiliser des flasques de meules en bon état d'un diamètre adapté à la meule choisie.** Les flasques adaptés supportent les meules et réduisent ainsi le risque de rupture de celles-ci.
- **Ne pas utiliser de meules usées d'outils électriques plus grands.** La meule destinée à un outil électrique plus grand n'est pas appropriée pour la vitesse plus élevée d'un outil plus petit et elle peut éclater.
- **Le diamètre extérieur et l'épaisseur de votre accessoire doivent se situer dans le cadre des caractéristiques de capacité de votre outil électrique.** Les accessoires dimensionnés de façon incorrecte ne peuvent pas être protégés ou commandés de manière appropriée.
- **L'alésage des meules et des flasques doit être adapté à l'axe de l'outil électrique.** Les meules et les flasques dont les trous d'alésage ne sont pas adaptés au matériel de montage de l'outil vont se déséquilibrer, vibrer de manière excessive et peuvent être à l'origine d'une perte de contrôle.
- **Ne pas utiliser de meules endommagées. Avant chaque utilisation, vérifier l'absence de fragments et de fissures sur les meules. En cas de chute de l'outil ou de la meule, vérifier l'absence de dommages ou installer une meule en bon état. Après examen et installation de la meule, se placer soi-même et faire placer les personnes présentes hors du plan de la meule rotative et faire fonctionner l'outil pendant une minute à vide à la vitesse maximale.** Les meules endommagées vont normalement se casser au cours de cette période d'essai.
- **Porter un équipement de protection individuelle. En fonction de l'application, utiliser un écran facial, des lunettes de sécurité ou des verres de sécurité. Le cas échéant, utiliser un masque antipoussières, des protections auditives, des gants et un tablier capables d'arrêter les petits fragments abrasifs ou des pièces à usiner.** La protection oculaire doit être capable d'arrêter les débris volants produits par les diverses opérations. Le masque antipoussières ou le respirateur doit être capable de filtrer les particules produites par vos travaux. L'exposition prolongée aux bruits de forte intensité peut provoquer une perte de l'audition.
- **Maintenir les personnes présentes à une distance de sécurité par rapport à la zone de travail. Toute personne entrant dans la zone de travail doit porter un équipement de protection individuelle.** Des fragments de pièce à usiner ou d'un accessoire cassé peuvent être projetés et provoquer des blessures en dehors de la zone immédiate d'opération.
- **Tenir l'outil uniquement par les surfaces de préhension isolantes, pendant les opérations au cours desquelles l'accessoire coupant peut être en contact avec des conducteurs cachés ou avec son propre câble.** Le contact de l'accessoire coupant avec un fil « sous tension » peut mettre « sous tension »

les parties métalliques exposées de l'outil électrique et provoquer un choc électrique sur l'opérateur.

- **Positionner le cordon à l'écart de l'accessoire rotatif.** En cas de perte de contrôle, le cordon peut être coupé ou accroché, entraînant votre main ou votre bras dans l'accessoire rotatif.
- **Ne jamais reposer l'outil électrique avant que l'accessoire n'ait atteint un arrêt complet.** L'accessoire de rotation peut agripper la surface et arracher l'outil électrique hors de votre contrôle.
- **Ne pas faire fonctionner l'outil électrique en le portant sur le côté.** Un contact accidentel avec l'accessoire en rotation pourrait accrocher vos vêtements et attirer l'accessoire sur vous.
- **Nettoyer régulièrement les orifices d'aération de l'outil électrique.** Le ventilateur du moteur attirera la poussière à l'intérieur du boîtier et une accumulation excessive de poudre de métal peut provoquer des dangers électriques.
- **Ne pas faire fonctionner l'outil électrique à proximité de matériaux inflammables.** Des étincelles pourraient enflammer ces matériaux.

Rebonds et mises en garde correspondantes

- Le rebond est une réaction soudaine d'une meule en rotation lorsque celle-ci est pincée ou accrochée. Le pincement ou l'accrochage provoque un décrochage rapide de la meule en rotation qui force l'outil électrique qui n'est plus contrôlé dans la direction opposée à celle du sens de rotation de la meule au point du coincement. Par exemple, si une meule abrasive est accrochée ou pincée par l'ouvrage, le bord de la meule qui entre dans le point de pincement peut entrer dans la surface du matériau et amener la meule à sortir de la pièce ou à rebondir. La meule peut s'éjecter en direction de l'opérateur ou au loin en fonction du sens de rotation de la meule au point de pincement. Dans de telles conditions, les meules abrasives peuvent aussi se casser. Le phénomène de rebond est le résultat d'une utilisation inadéquate de l'outil et/ou de procédures ou de conditions de fonctionnement incorrectes et il peut être évité en prenant les précautions appropriées indiquées ci-dessous.
- **Maintenir solidement l'outil et positionner le corps et le bras de manière à pouvoir résister aux forces de rebond. Toujours utiliser la poignée auxiliaire, le cas échéant, pour contrôler au maximum les rebonds ou les réactions de couple au moment du démarrage.** L'opérateur est en mesure de contrôler les réactions de couple ou les forces de rebond, si des précautions appropriées ont été prises.
- **Ne jamais placer votre main à proximité de l'accessoire en rotation.** L'accessoire peut effectuer un rebond sur votre main.
- **Ne pas positionner le corps dans l'alignement de la meule en rotation.** Un rebond propulsera l'outil dans la direction opposée à celle du mouvement de la meule au point où s'est produit l'accrochage.
- **Etre particulièrement prudent lors d'opérations sur des coins, des arêtes vives etc. Eviter que l'accessoire ne rebondisse et ne s'accroche.** Les coins, les arêtes vives ou les rebondissements ont tendance à accrocher l'accessoire en rotation et à provoquer une perte de contrôle ou un rebond.
- **Ne pas monter de chaîne coupante, de lame à ciseler, de meule diamantée segmentée avec un espace périphérique supérieur à 10mm ou de lame de scie dentée.** De telles lames sont souvent à l'origine de rebonds ou de pertes de contrôle.
- **Ne pas « coincer » la meule à tronçonner ou ne pas appliquer une pression excessive. Ne pas tenter d'exécuter une profondeur de coupe excessive.** Une contrainte excessive de la meule augmente la charge et la probabilité de torsion ou de blocage de la meule dans la coupe et la possibilité de rebond ou de rupture de la meule.
- **Lorsque la meule se bloque ou lorsque la coupe est interrompue pour une raison quelconque, mettre l'outil électrique hors tension et tenir l'outil électrique immobile jusqu'à ce que la meule soit à l'arrêt complet. Ne jamais tenter d'enlever le disque à tronçonner de la coupe tandis que la meule**

est en mouvement sinon le rebond peut se produire. Rechercher et prendre des mesures correctives afin d'empêcher que la meule ne se grippe.

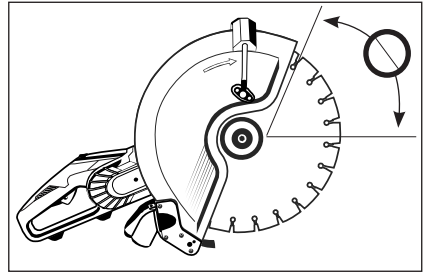
- **Ne pas redémarrer le découpage dans l'ouvrage. Laisser la meule atteindre sa pleine vitesse et la replacer avec précaution dans la coupe.** La meule peut se coincer, se rapprocher ou provoquer un rebond si l'outil est redémarré lorsqu'elle se trouve dans l'ouvrage.
- **Prévoir un support de panneaux ou de toute pièce à usiner surdimensionnée pour réduire le risque de pincement et de rebond de la meule. Les grandes pièces à usiner ont tendance à fléchir sous leur propre poids.** Les supports doivent être placés sous la pièce à usiner près de la ligne de coupe et près du bord de la pièce des deux côtés de la meule.
- **Soyez particulièrement prudent lorsque vous faites une « coupe en retrait » dans des parois existantes ou dans d'autres zones sans visibilité.** La meule saillante peut couper des tuyaux de gaz ou d'eau, des câblages électriques ou des objets, ce qui peut entraîner des rebonds.



Avertissements de sécurité concernant les machines de coupe - Règles de sécurité supplémentaires

AVERTISSEMENT : Évitez de couper dans le quadrant supérieur de la lame, surtout au début de la coupe. Cette zone est très susceptible d'entraîner un rebond.

AVERTISSEMENT : Lors de la coupe de matières plastiques, ne laissez pas plastique fondre. Si le plastique fond, il peut coller à la lame, et entraîner un rebond.

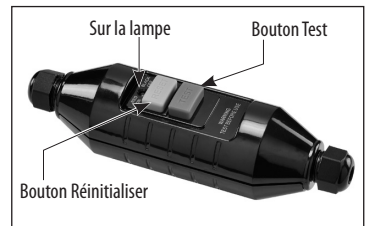


RACCORDEMENT ÉLECTRIQUE

La tension du réseau doit être conforme à la tension indiquée sur la plaque signalétique du fabricant de l'outil. En aucun cas, l'outil ne doit être utilisé si le câble d'alimentation électrique est endommagé. Un câble endommagé doit être remplacé immédiatement par un Centre d'Assistance Clientèle agréé. N'essayez pas de réparer le câble endommagé vous-même. L'utilisation de câbles d'alimentation endommagés peut être à l'origine d'une électrocution.

AVERTISSEMENT : Ne jamais utiliser une machine endommagée. Signalez toujours une machine endommagée et mettez-la hors service jusqu'à ce que les réparations puissent être effectuées.

AVERTISSEMENT : Cette machine est équipée d'un dispositif de courant résiduel Portable (PRCD) aussi connu comme GFCI ou disjoncteur différentiel de fuite à la terre. Utilisez toujours cet appareil lorsque vous vous servez de la machine pour réduire le risque d'électrocution.



Remarque : Les apparences PRCD (GFCI) varient en fonction des normes de chaque région. Photos fournies pour référence seulement

Positionnez toujours l'appareil PRCD le plus près possible de la source d'alimentation. Testez et réinitialisez l'appareil PRCD avant chaque utilisation. Appuyez sur le bouton « Test » pour tester. Appuyez sur le bouton réinitialiser « Reset » pour alimenter le circuit vers la machine.

INTRODUCTION

Cette machine est équipée de deux poignées et d'un protège-lame. Le moteur a une protection contre la surchauffe et la surcharge. Il dispose d'un système d'alimentation en eau intégrée comme exigé pour la coupe au diamant et d'un dispositif portable de courant résiduel (PRCD) pour la sécurité électrique. Il ne doit être utilisé qu'avec une lame au diamant ou une meule abrasive. Il est destiné à couper des ouvrages de maçonnerie, la pierre, le béton, le béton armé et des matériaux similaires. Toutes les autres utilisations sont interdites.

LISTE DES CONTENUS

- Scie à béton
- Montage du rouleau guide
- M17 Clé à fourche
- Protection contre les éclaboussures
- Kit de coupe à ras

ASSEMBLAGE

- Montez la lame. (Voir ci-dessous " Montage de la lame ")
- Montez le Montage du rouleau guide si vous le souhaitez (voir ci-dessous " Montage du rouleau guide ")
- Montez le balai de la protection de la lame (Voir ci-dessous " Balai de la protection de la lame " pour les instructions de montage)
- Montez la Protection contre les éclaboussures (Voir ci-dessous " Protection contre les éclaboussures " pour les instructions de montage)

LAMES A DIAMANT

Types de lames autorisées

Cette machine ne peut utiliser que des lames à diamant ou des meules abrasives

- Utilisez uniquement des lames à diamant à bord segmenté ou continu.
- Si les lames à diamant sont segmentées, l'écart périphérique maximal admissible entre les segments est de 10 mm et doit se faire avec un angle de coupe négatif.
- Seules les lames à diamant de 405 mm (16") ou moins peuvent être utilisées.
- L'épaisseur de la lame doit être d'au moins 2,4 mm et ne pas dépasser les 6,35 mm

Transport et entreposage des lames

Ne pas entreposer ou transporter la machine avec une lame montée. Retirez la lame et stockez-la de manière à ne pas qu'elle soit pliée ou endommagée lorsque la machine n'est pas utilisée ; cela vous évitera de

l'endommager.

Une lame endommagée peut causer des situations anormales, ou provoquer un déséquilibre et entraîner un danger. Inspectez toujours les nouvelles lames avant de les stocker, afin de détecter d'éventuels dommages occasionnés durant le transport.

A propos des lames à diamant

Les lames à diamant sont constituées d'un noyau en acier avec des segments qui ont été ajoutés à sa périphérie.

Les lames à diamant sont disponibles pour différentes duretés de matériaux de maçonnerie, la pierre, le béton, le béton armé, etc.

Certaines lames à diamant sont conçues pour être utilisées uniquement dans des situations d'humidité, tandis que d'autres sont conçues pour un usage uniquement à sec. Reportez-vous aux instructions du fabricant de la lame.

D'une manière générale, même si la lame est spécifiée comme étant une lame de type à sec, les outils diamantés fonctionnent toujours mieux quand il sont mouillés, et la coupe à sec devrait être limitée aux situations dans lesquelles l'eau ne peut pas ou ne doit pas être utilisée. L'eau va empêcher la surchauffe de la lame, réduire considérablement la quantité de poussières nocives produites par la coupe, enlever la boue de la coupe, et prolonger la durée de vie de la lame. La coupe à sec de matériaux très durs tels que la porcelaine ou le béton armé entraîne une usure rapide et éventuellement une panne de l'outil.

Les segments diamantés imprégnés fonctionnent selon un principe d'érosion contrôlée. La matrice de liaison maintenant les diamants est continuellement usé par abrasion avec la pièce, ce qui expose les diamants plus difficiles à tenir fiers de la matrice de liaison. Les lames conçues pour couper des matériaux plus durs auront une liaison plus en douceur, permettant ainsi aux diamants de se projeter de façon plus agressive (mais cela ne va pas durer aussi longtemps). Les lames conçues pour une découpe plus en douceur de matériaux abrasifs nécessitent une liaison plus dure, ce qui leur permet de résister à l'abrasivité du matériau et durent plus longtemps. Avec suffisamment d'érosion de la matrice de liaison (les diamants non exposés), la lame s'émousse. C'est ce qu'on appelle le glaçage. Si la lame semble refuser de couper davantage, elle est glacée.

Voir ci-dessous : Affûter une lame glacée

Ne jamais procéder par mouvement tranchant sous peine d'endommager la lame. N'alimentez pas trop doucement sinon les segments au diamant deviendront glacés. Faites que la lame travaille de régulière. Prenez grand soin de garder la lame perpendiculairement aligné sur le trait. Si la lame est tordu, il va se plier facilement. Lors de la coupe de béton armé, faites attention si vous tombez sur de l'acier incorporé. Réduisez la pression d'alimentation d'environ 1/3 et laissez la lame aller à son propre rythme, car s'il y a trop de vibrations, la lame peut être détruite. Une fois l'acier passé, poursuivez normalement.

REMARQUE : Ne jamais utiliser une lame à eau de type diamant sans eau. Elle va surchauffer et être détruite.

REMARQUE : Lors de l'utilisation de lames à sec, évitez toute situation de surchauffe. Il est préférable de ne pas couper plus d'environ 60secondes à la fois, avec 10 secondes d'intervalle pour laisser la machine refroidir l'air.

Toujours monter la lame avec la flèche correspondant à la direction de rotation de la machine (une flèche de direction figure sur la protection de la lame).

AVERTISSEMENT : Ne jamais utiliser de lames pour couper un matériau autre que celui pour lequel elles sont destinées.

AFFÛTAGE D'UNE LAME GLACÉE

Les lames à diamant peuvent devenir glacées (elles s'émousent). Une fois que les segments de diamant sont glacés, les performances de coupe de la lame se dégradent et les segments vont surchauffer. Pour affûter la lame, baissez l'alimentation en eau et faites quelques coupes dans un matériau très abrasif et moins dur, comme la brique ou de l'oxyde d'alumine ou une pierre en carbure de silicium.

MONTAGE DE LA LAME

D'abord assurez-vous que l'appareil est débranché.

Puis, à l'aide de la clé à fourche de 17mm, engagez le boulon du mandrin et tournez le mandrin tout en appuyant sur son dispositif de verrouillage. Lorsque le mandrin atteint la bonne position, le dispositif du mandrin va s'engager. Ensuite, le boulon du mandrin peut être desserré et la bride extérieure peut être retirée. La bride intérieure de cette machine est de 1" (25,4 mm). Vérifiez la bride interne afin de vous assurer que sa dimension correspond à l'alésage de la lame.

Inspectez la lame avant de l'utiliser. Elle ne doit être ni fissurée, déformée ou endommagée de quelque façon que ce soit, afin d'éviter une utilisation ultérieure qui entraînerait un risque. Les segments de diamant déserrés peuvent être éjectés à grande vitesse, et provoquer des blessures. Toujours vérifier que les segments des diamant ne font pas l'objet de la découpe. Si les segments de diamant sont plus minces ou presque plus mince que le noyau de la lame, l'entaille sera trop serrée et mener facilement au rebond de la lame.

Veillez à ce que les brides et le noyau de la lame soient propres et en bon état et que tout soit bien ajusté. Les brides ne peuvent pas être utilisées si elles sont déformées, ou si la surface est inégale, lissée ou si elles sont sales. Les boulons du mandrin et les brides du mandrin doivent être en bon état. Inspectez les lames afin de détecter tout endommagement éventuel du segment, du noyau du mandrin ou de tout autre dommage qui pourrait provoquer un fonctionnement dangereux.

Le bord en saillie de la bride intérieure doit être orienté vers la lame. Puis montez la lame sur la bride intérieure et ajoutez la bride extérieure. Ajoutez le boulon du mandrin et serrez jusqu'à 15 -25 Nm.

AVERTISSEMENT : Ne pas essayer de monter une lame qui ne correspond pas au matériel de montage. Cela entraînera une course excentrée et un vibration qui sera incontrôlable.

AJUSTEMENT DU PROTEGE-LAME

La lame tourne dans le sens horaire lorsqu'on la regarde depuis l'extrémité du mandrin. Par conséquent, la plupart des débris de coupe, les étincelles et les boues seront éjectés vers l'arrière. Ainsi, il faut ajuster le protège-lame de sorte que le bord arrière soit en contact avec la pièce.

AJUSTEMENT

Retirez tout d'abord le levier de blocage contre la tension du ressort, puis tournez le protège-lame sur la position souhaitée. Laissez le levier de verrouillage s'engager dans la fente la plus proche du protège-lame afin de le verrouiller en position.



BALAI DE PROTECTION DE LA LAME

Il y a un balai amovible à l'arrière du protège-lame pour aider à contenir les étincelles, la poussière, les débris et les boues. Pour l'installer, il suffit de pousser le balai dans la fente en bas du support du port de la poussière jusqu'à ce qu'il clique lorsqu'il est en place. Ce balai peut être retiré tout droit pour être remplacé en cas d'usure.

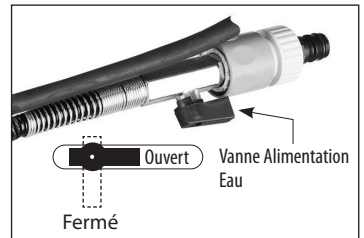
PROTECTION CONTRE LES ÉCLABOUSSURES

Le garde-boue à ressort est utile pour aider à contenir les éclaboussures qui vont vers l'arrière. Pour son installation, clipsez-le simplement à l'arrière du support du port de poussière. Pour l'enlèvement, basculez vers le haut pour le faire apparaître.

Si le garde-boue n'est pas nécessaire, comme lors de la coupe à sec, il peut être déclipé et être retiré. Il suffit d'engager le clip mâle sur le rabat avec le clip femelle sur le montage. Déclipser pour libérer.

RACCORDEMENT A L'EAU

L'eau est une exigence de base pour un sciage au diamant avec des lames de diamant pour travail en situation mouillée. L'eau sert de liquide de refroidissement pour éviter que la surface de travail des segments de diamant ne se retrouve en situation de surchauffe. L'eau maintient également en baisse la poussière et sert à évacuer les particules abrasives.



AVERTISSEMENT : Toujours utiliser le PRCD (GFCI) en cas d'utilisation avec de l'eau

AVERTISSEMENT : Ne jamais laisser l'eau pénétrer dans le moteur. Elle pourrait entraîner un choc électrique.

AVERTISSEMENT : Vérifiez tous les raccordements du système d'alimentation d'eau pour vous assurer de l'absence de fuites. Inspectez les tuyaux et les autres éléments essentiels qui pourraient se détériorer.

AVERTISSEMENT : La pression d'eau maximale ne devrait pas dépasser 70 psi (4 bars).

Utilisez un collecteur d'eau avec un aspirateur industriel eaux et poussières afin de collecter l'eau de refroidissement si des objets à proximité sont susceptibles d'être endommagés par l'eau. Le système d'alimentation en eau est intégré dans la machine. Pour raccorder à l'alimentation en eau, tirez d'abord le collier de libération rapide pour enlever le côté femelle du raccord d'eau. Puis dévissez l'écrou et engagez le raccord

sur le tuyau d'eau. Maintenant, reconnectez le raccord d'eau à la vanne mâle d'alimentation en eau. Appuyez dessus jusqu'à entendre le déclic.

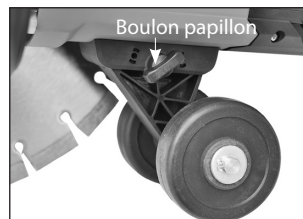
Le débit d'eau est contrôlé par la vanne d'alimentation en eau. L'eau projetée sur la lame peut être finement ajustée suivant la quantité requise.

REMARQUE : Les contaminants dans l'alimentation en eau peuvent facilement boucher les fins becs d'eau situés dans le protège-lame.

Assurez-vous que l'eau d'alimentation est propre. Si vous trouvez qu'il n'y a pas d'écoulement de l'eau vers la lame, nettoyez le système d'alimentation en eau sur la machine.

ENSEMBLE DU ROULEAU GUIDE

Les rouleaux de guidage permettent de mieux conserver la perspective perpendiculaire de la lame par rapport à la pièce à travailler. Pour installer, desserrez légèrement le boulon papillon et engagez les quatre griffes avec les quatre œillets sur le fond du boîtier du moteur, puis serrez la vis papillon.



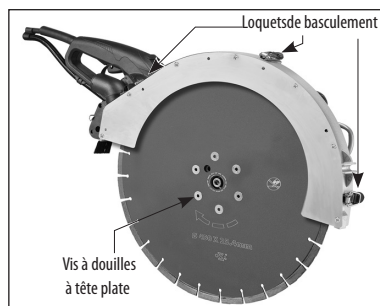
INSTRUCTIONS RELATIVES AU KIT DE COUPE À RAS

INTRODUCTION

Le kit de coupe à ras permet le montage de la lame de coupe affleurante (non incluse) sur la machine, ce qui garantit des coupes à ras bien que le carter de lame extérieur soit temporairement retiré.

TABLE DES MATIÈRES

1. Bride de coupe à ras
2. Boulon de mandrin d'assemblage de douille et rondelle
3. Vis d'assemblage de douille à tête plate x 6
4. Clé hexagonale en L M5
5. Clé hexagonale en L M8
6. Couvre-lame pour coupe affleurante et vis à tête plate x 7



MONTAGE

Pour monter le kit de coupe à ras, déposez d'abord le boulon de mandrin standard, les brides et la lame en fonction du manuel d'instructions.

1. Déposez le flexible d'eau de la buse à eau située sur le carter extérieur de lame et raccordez-le à la buse à eau secondaire du carter intérieur de lame.
2. Faites sauter le rabat anti-éclaboussures et retirez les 7 vis de fixation du couvre-chaîne.
3. Déclipez les 3 verrous de commutateur et libérez les morillons desserrés situés dans les clips en plastique pour éviter les



cliquetis.

4. Soulevez le carter de lame extérieur et gardez-le dans un endroit sûr.
5. Montez la bride de coupe à ras sur la broche et fixez-la à l'aide de la rondelle et du boulon de mandrin d'assemblage de douille. Insérez le verrou de mandrin et resserrez le boulon de mandrin au moyen de la clé hexagonale en L M8.

AVERTISSEMENT : N'utilisez pas des entretoises ou des brides en dessous de la bride de coupe à ras !

6. Montez la lame de coupe à ras sur la bride, alignez les trous et vissez les vis d'assemblage de douille à tête plate. Resserrez les vis uniformément et en diagonale, au moyen de la clé hexagonale en L M5.
7. Montez le couvercle pour coupe affleurante et vissez les 7 vis à tête plate.

AVERTISSEMENT : Évitez de mettre la machine en marche sans que le couvercle pour coupe affleurante ne soit monté.

8. Une fois la coupe à ras terminée, remettre immédiatement la scie à sa configuration de coupe standard.

REMARQUE : Il existe un décalage réel d'environ 1 mm ou moins (en fonction de l'épaisseur des segments diamant).

Mais étant donné que le carter de lame a un degré de flexibilité, il est possible de procéder à l'affleurement complet en y poussant légèrement vers le bas. Pour la coupe actuelle, l'affleurement est optimal. Un petit décalage doit exister de sorte que la lame ne laisse pas de micro-rayures sur le matériau de base. Pour donc éviter les micro-rayures, évitez d'utiliser une déportance négative et pour un affleurement optimal, utilisez une légère déportance négative.

AVERTISSEMENT : Veillez toujours à ce que le carter de lame extérieur soit monté lors des coupes standards. Ne jamais utiliser la scie avec le carter de lame extérieur déposé, excepté pour les coupes à ras.

AVERTISSEMENT : Vérifiez périodiquement que les vis de montage et du mandrin sont bien serrées.

AVERTISSEMENT : En cas de vibrations anormales au cours du travail, arrêtez immédiatement et identifiez la cause avant de continuer.

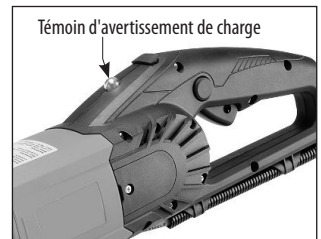
PROTECTION CONTRE LA SURCHARGE ET LA SURCHAUFFE

Surcharge et Témoin d'avertissement de charge

Lorsque la pleine charge est atteinte, le voyant de charge clignote en rouge. Si la pleine charge est dépassée et maintenue pendant trop longtemps, le moteur se ferme et le témoin de charge devient rouge continu. Dans ce cas, le moteur doit d'abord être coupé, puis redémarré.

Protection thermique contre la surchauffe :

Si la température du moteur est trop élevée, la protection thermique arrête le moteur. Le commutateur doit d'abord être arrêté, puis redémarré.



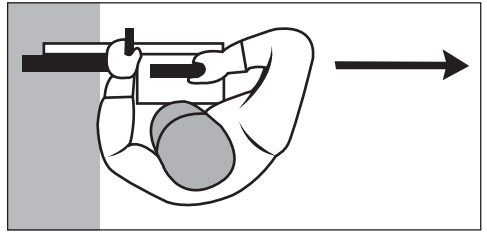
Lorsque cela se produit, ne commencez pas immédiatement la coupe après le redémarrage du moteur. Toujours faire fonctionner la machine à vide pendant quelques minutes pour revenir à une température normale de fonctionnement avant de continuer.

ATTENTION : Le moteur sera endommagé s'il est surchargé ou surchauffé de façon répétée. Refroidissez toujours le moteur en le faisant tourner sans charge pendant quelques minutes lorsqu'il s'arrête pour cause de surchauffe ou de surcharge.

FONCTIONNEMENT

Comment tenir la machine

- Toujours tenir la machine à deux mains, avec la main droite sur la poignée principale et la main gauche sur la poignée latérale. (Cela vaut même si l'utilisateur est gaucher)
- Ne vous tenez pas directement en ligne avec la lame. Au contraire, se tenir de manière à ce que, en cas de rebond, vous ne soyez pas dans la trajectoire de la lame.
- Ne jamais se pencher sur la trajectoire de la lame. Cela mettrait votre corps en ligne avec la lame en cas de rebond.
- Ne pas couper au-dessus de la hauteur des épaules.
- Ne jamais couper tout en se tenant sur une échelle ou une autre plate-forme instable.

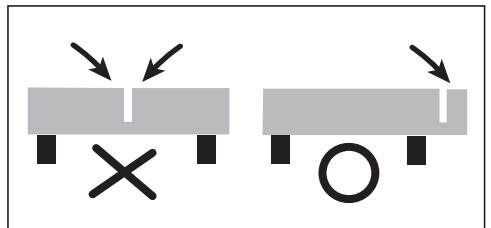


Avant de couper

- Vérifiez la zone où la coupe doit être faite pour vous assurer qu'elle est exempte d'objets qui pourraient impliquer que l'opérateur trébuche.
- Avant la coupe, il est parfois utile de marquer la ligne de coupe avec de la craie ou similaire. Pour une coupe droite, une planche de bois est également utile pour guider la machine pour faire une coupe droite.
- Veiller à ce que toutes les personnes étrangères au travail soient à une distance de sécurité.
- Assurez-vous que tous les équipements de sécurité soient en place.

Un support approprié pour la pièce à travailler

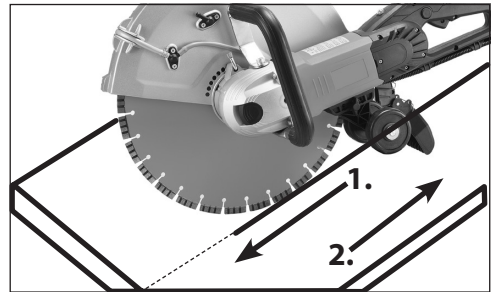
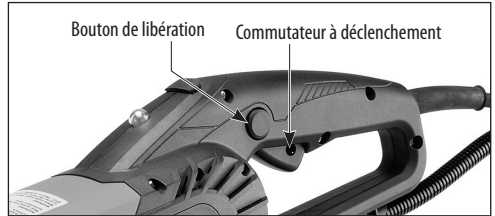
- Soutenir la pièce à travailler de manière à ce que l'entaille ne se referme pas sur la lame.
- Fixer la pièce à travailler de sorte qu'elle ne roule pas, ne glisse pas plus loin ou ne se déplace pas à cause des vibrations pendant la coupe
- La séquence de coupe est importante lors de la réalisation de découpes. Assurez-vous de toujours réaliser la dernière coupe de manière à éviter que la lame ne soit pincée. Donc, réaliser la coupe horizontale du bas d'abord, puis les côtés et enfin réaliser la coupe horizontale supérieure en dernier.



- Prenez note du poids de la pièce à travailler et de la direction dans laquelle elle va tomber lorsqu'elle est coupée.
- Chaque fois qu'il y a une situation où la rupture de la pièce va entraîner une situation dangereuse, laissez une languette de matériau intacte et terminez l'opération avec un ciseau ou similaire.

Technique de coupe

- Tenez la machine avec les deux mains pour résister au couple de démarrage, appuyez sur le bouton de déverrouillage, puis pressez sur le commutateur à déclenchement.
- Laissez la machine atteindre sa pleine vitesse avant d'entrer en contact avec la pièce à travailler.
- Réglez le débit d'eau en fonction des besoins en tournant le robinet d'alimentation en eau.
- Ensuite, commencez doucement la coupe avec la partie arrière de la lame jusqu'à ce que l'entaille soit établie. Faites la première coupe dans la direction vers l'avant (de sorte que vous puissiez voir la ligne de coupe). Ensuite, faites les coupes suivantes dans la direction vers l'arrière.
- N'essayez pas de trop couper en profondeur en un seul passage. Ne dépassez jamais environ 50 mm (2 ") par passage.
- C'est une bonne idée de couper d'abord une rainure de guidage peu profonde avant de procéder à la coupe principale. Si une correction est nécessaire. Soulevez la lame et continuez de couper légèrement, puis de nouveau dans l'entaille existante. Veillez à éviter que la lame ne soit pincée.
- Dans des pièces rondes, la meilleure technique consiste à utiliser un lent, uniforme va et vient pendant la coupe avec le quadrant inférieur de la lame.
- Ne pas laisser la machine s'enliser. Limitez votre pression d'alimentation pour maintenir la rotation de la lame à grande vitesse.
- Ne chargez jamais la lame de côté dans l'entaille.
- La découpe de béton exige beaucoup d'efforts de la part du moteur : Une fois que la coupe est terminée, une bonne pratique consiste à faire fonctionner la machine à vide pendant une courte période pour baisser la température du moteur avant l'arrêt.



Arrêt

Libérez le déclencheur pour arrêter la machine. Après que le déclencheur soit libéré, la lame continuera à tourner pendant un certain temps.

AVERTISSEMENT : Ne pas déposer la machine jusqu'à ce que la lame ait cessé de tourner.

Remarque : Assurez-vous toujours que le sac à poussière de l'aspirateur n'est pas trop plein. Un sac à poussière trop rempli aura une efficacité de collecte de la poussière réduite qui pourrait se traduire par un faible contrôle de la poussière.

ENTRETIEN ET NETTOYAGE

Cette machine fonctionne dans un environnement très exigeant. La pâte créée par la coupe humide et la poussière créée par la coupe à sec est aspirée dans les fentes de refroidissement du moteur et pénètre dans le moteur. La pâte de briques et béton contient des sels et d'autres substances corrosives qui vont gravement raccourcir la durée de vie du moteur ou causer des courts-circuits électriques si elle peut s'accumuler.

Par conséquent, il est essentiel pour une longue vie de l'outil qu'il soit soigneusement nettoyé après chaque utilisation. De l'air comprimé doit être soufflé à travers les fentes de refroidissement de la machine à l'arrière de la machine pendant que le moteur est en marche.

Maintenance quotidienne

- Gardez la machine propre
- Vérifiez que le câble d'alimentation soit en bon état.
- Assurez-vous que toutes les vis sont bien serrées.
- Vérifiez l'état de tous les équipements de sécurité tels que la protection de la lame
- Vérifiez les dommages éventuels de la lame.

Balais de carbone

Les balais en carbone sont une pièce d'usure normale et ils doivent être remplacés lorsqu'ils atteignent leur limite d'usure. Cette machine est équipée de balais en carbone à arrêt automatique. Si la machine s'arrête soudainement, les balais doivent être vérifiés. Le concept de balai à arrêt automatique protège le moteur en arrêtant la machine avant que les balais en carbone soient totalement usés.

Attention : Remplacez toujours les balais par deux.

Pour remplacer :

1. Retirez la vis et retirez le couvercle du balai.
2. Au moyen de torons, déplacez le ressort du balai et faites glisser l'ancien balai en carbone hors du porte-balai.
3. Dévissez la vis pour retirer le pas du balai. A présent, l'ancien balai en carbone peut être retiré.
4. Installez un nouveau balai. L'installation est l'inverse du retrait.
5. Remplacez le couvercle du balai.



Si le remplacement du câble d'alimentation est nécessaire, il doit être effectué par le fabricant ou son représentant afin d'éviter tout danger pour la sécurité.

AVERTISSEMENT : Toutes les réparations doivent être confiées à un centre d'entretien agréé. Toute réparation incorrecte peut entraîner des blessures ou la mort.

Ne jetez pas d'outils électriques avec les déchets ménagers !

Conformément à la Directive européenne 2002/96/CE sur les Déchets d'Équipement électrique et électronique et à sa transposition dans la loi nationale, les outils électriques usagés doivent être collectés séparément et recyclés de manière écologique.

Bruit / informations de vibration

Mesuré suivant la norme EN 60745-2-22

Modèle n° : C16

Niveau sonore : Niveau de pression acoustique (L_{pA}): 105.0 dB(A)
Niveau de puissance acoustique (L_{wA}): 116.0 dB(A) K= 3.0 dB(A)

Niveau de vibration : $a_h = 3.9 \text{ m/s}_2$ K = 1.5 m/s^2

Le niveau d'émission de vibrations a été mesuré conformément à un test standardisé indiqué dans EN 60745. Il peut être utilisé pour comparer un outil à un autre et en tant qu'évaluation préliminaire de l'exposition à une vibration en cas d'utilisation de l'outil pour les applications mentionnées

- l'utilisation de l'outil pour des applications différentes ou avec des accessoires différents ou mal entretenus peut augmenter considérablement le niveau d'exposition
- les périodes pendant lesquelles l'outil est à l'arrêt ou en fonctionnement, mais sans exécuter sa tâche peuvent réduire considérablement le niveau d'exposition

protégez-vous contre les effets des vibrations en entretenant l'outil et ses accessoires, en maintenant vos mains au chaud et en organisant vos schémas de travail

Déclaration CE de Conformité

• Nous déclarons, sous notre seule responsabilité, que ce produit est conforme aux normes ou aux documents standardisés suivants : EN 60745-1: 2009 + A11: 2010 & EN 60745-2-22: 2011 + A11: 2013, EN 61000, EN 55014, conformément à la réglementation 2006/42/CE, 2014/30/UE, 2011/65/UE.

• Fichier technique à l'adresse: LEE YEONG INDUSTRIAL CO., LTD., NO.2, KEJIA RD., DOULIU CITY, YUNLIN COUNTY 64057, TAIWAN

You-Chun, Liu
Opérations et Ingénierie

You chun Liu

Chih-Hao, Lai
Responsable Approbations

chih hao lai

LEE YEONG INDUSTRIAL CO., LTD.,
NO.2, KEJIA RD., DOULIU CITY, YUNLIN COUNTY 64057, TAIWAN 12.30.2016

LEE YEONG INDUSTRIAL CO., LTD.

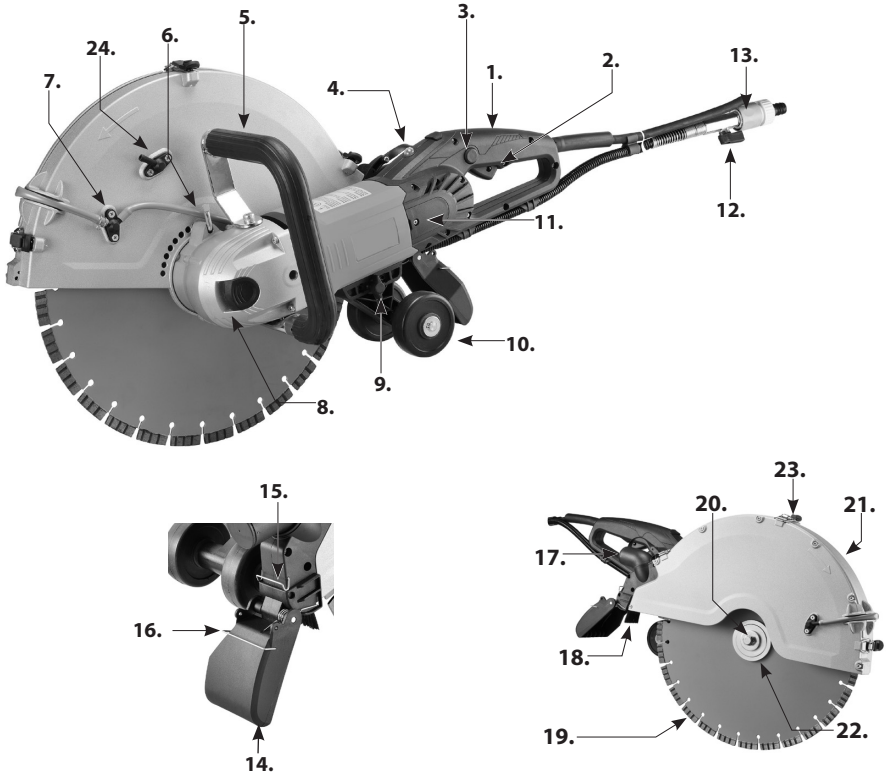
NO.2, KEJIA RD., DOULIU CITY,
YUNLIN COUNTY 64057, TAIWAN

TEL: 886-5-5518689 (REP)

Fax: 886-5-5518635

ESPECIFICACIONES

Modelo	C16
Entrada de alimentación	230 V: 2700 W (3200 W reales), 115 V: 2300 W (3000 W reales)
Voltaje	220-240 V~50/60 Hz, 110-120 V~50/60 Hz (Véase la placa de identificación de la máquina)
Velocidad nominal	$n=3900 \text{ min}^{-1}$
Diámetro del disco de sierra	405 mm (16")
Eje	25,4 mm (1")
Profundidad de corte máx.	150 mm (6")
Peso	9,6 kg (21,1 Lbs) (10 kg (22,2 Lbs) con rodillos guía)



- | | |
|--|---|
| 1. Empuñadura principal | 13. Manguito para alimentación de agua |
| 2. Interruptor de gatillo | 14. Protector contra salpicaduras |
| 3. Botón de desbloqueo | 15. Abrazadera hembra |
| 4. Piloto de advertencia de carga | 16. Abrazadera macho |
| 5. Empuñadura lateral | 17. Conector de manguera de vacío |
| 6. Palanca de bloqueo del protector de disco | 18. Escobilla del protector de disco |
| 7. Boquilla de alimentación de agua | 19. Disco de diamante |
| 8. Interruptor de bloqueo del eje | 20. Perno del eje |
| 9. Tornillo de mariposa | 21. Protector de disco |
| 10. Conjunto de rodillos guía | 22. Brida exterior |
| 11. Cubierta de la escobilla | 23. Cierres de palanca |
| 12. Válvula de alimentación de agua | 24. Boquilla secundaria de alimentación de agua |

Instrucciones generales de seguridad



¡ATENCIÓN! Lea íntegramente las instrucciones e indicaciones de seguridad. El incumplimiento de dichas instrucciones e indicaciones puede dar lugar a descargas eléctricas, incendios o lesiones graves.

Guardar todas las advertencias de peligro e instrucciones para futuras consultas.

El término herramienta eléctrica empleado en las siguientes advertencias de peligro se refiere a herramientas eléctricas de conexión a la red (con cable de red) y a herramientas eléctricas accionadas por acumulador (o sea, sin cable de red).

1. PUESTO DE TRABAJO

- a. **Mantenga limpio y bien iluminado su puesto de trabajo.** El desorden y una iluminación deficiente en las áreas de trabajo pueden provocar accidentes.
- b. **No utilice la herramienta eléctrica en un entorno con peligro de explosión, en el que se encuentren combustibles líquidos, gases o material en polvo.** Las herramientas eléctricas producen chispas que pueden llegar a inflamar los materiales en polvo o vapores.
- c. **Mantenga alejados a los niños y otras personas de su puesto de trabajo al emplear la herramienta eléctrica.** Una distracción le puede hacer perder el control sobre el aparato.
- d. **Vigile siempre la herramienta eléctrica mientras esté en funcionamiento.** Mantenga vigilada la herramienta eléctrica hasta que ésta pare por completo.

2. SEGURIDAD ELÉCTRICA

- a. **El enchufe del aparato debe corresponder a la toma de corriente utilizada. No es admisible modificar el enchufe en forma alguna. No emplear adaptadores en aparatos dotados con una toma de tierra.** Los enchufes sin modificar adecuados a las respectivas tomas de corriente reducen el riesgo de una descarga eléctrica.
- b. **Evite que su cuerpo toque partes conectadas a tierra como tuberías, radiadores, cocinas y refrigeradores.** El riesgo a quedar expuesto a una sacudida eléctrica es mayor si su cuerpo tiene contacto con tierra.
- c. **No exponga las herramientas eléctricas a la lluvia y evite que penetren líquidos en su interior.** Existe el peligro de recibir una descarga eléctrica si penetran ciertos líquidos en la herramienta eléctrica.
- d. **No utilice el cable de red para transportar o colgar el aparato, ni tire de él para sacar el enchufe de la toma de corriente. Mantenga el cable de red alejado del calor, aceite, esquinas cortantes o piezas móviles.** Los cables de red dañados o enredados pueden provocar una descarga eléctrica.
- e. **Al trabajar con la herramienta eléctrica en la intemperie utilice solamente cables de prolongación homologados para su uso en exteriores.** La utilización de un cable de prolongación adecuado para su uso en exteriores reduce el riesgo de una descarga eléctrica.
- f. **Si fuese imprescindible utilizar la herramienta eléctrica en un entorno húmedo, es necesario conectarla a través de un fusible diferencial.** La aplicación de un fusible diferencial reduce el riesgo a exponerse a una descarga eléctrica.

3. SEGURIDAD DE PERSONAS

- a. **Esté atento a lo que hace y emplee la herramienta eléctrica con prudencia. No utilice la herramienta eléctrica si estuviese cansado, ni tampoco después de haber consumido alcohol, drogas o medicamentos.** El no estar atento durante el uso de una herramienta eléctrica puede provocarle serias lesiones.
- b. **Utilice un equipo de protección y en todo caso unas gafas de protección.** El riesgo a lesionarse se reduce considerablemente si, dependiendo del tipo y la aplicación de la herramienta eléctrica empleada, se utiliza un equipo de protección adecuado como una mascarilla antipolvo, zapatos de seguridad con suela antideslizante, casco, o protectores auditivos.
- c. **Evite una puesta en marcha fortuita del aparato. Cerciorarse de que el aparato esté desconectado antes conectarlo a la toma de corriente.** Si transporta el aparato sujetándolo por el interruptor de conexión/desconexión, o si introduce el enchufe en la toma de corriente con el aparato conectado, ello puede dar lugar a un accidente.
- d. **Retire las herramientas de ajuste o llaves fi jas antes de conectar la herramienta eléctrica.** Una herramienta o llave colocada en una pieza rotante puede producir lesiones al ponerse a funcionar.
- e. **Sea precavido. Trabaje sobre una base firme y mantenga el equilibrio en todo momento.** Ello le permitirá controlar mejor la herramienta eléctrica en caso de presentarse una situación inesperada.
- f. **Utilice ropa adecuada. No utilice ropa ancha ni objetos de joyería o bisutería. Mantenga el pelo y la ropa alejada de las piezas en movimiento.** La ropa suelta o el pelo largo pueden quedar atrapados por piezas en movimiento.
- g. **Siempre que sea posible utilizar unos equipos de aspiración o captación de polvo, asegúrese que éstos estén montados y que sean utilizados correctamente.** El empleo de estos equipos reduce los riesgos derivados del polvo.
- h. **No debe jamás confi arse por el uso frecuente de las máquinas e ignorar los principios de seguridad de la herramienta.** Un manejo imprudente puede ocasionar lesiones graves en fracciones de segundo.

4. TRATO Y USO CUIDADOSO DE HERRAMIENTAS ELÉCTRICAS

- a. **No sobrecargue el aparato. Use la herramienta prevista para el trabajo a realizar.** Con la herramienta adecuada podrá trabajar mejor y más seguro dentro del margen de potencia indicado.
- b. **No utilice herramientas con un interruptor defectuoso.** Las herramientas que no se puedan conectar o desconectar son peligrosas y deben hacerse reparar.
- c. **Saque el enchufe de la red antes de realizar un ajuste en el aparato, cambiar de accesorio o al guardar el aparato.** Esta medida preventiva reduce el riesgo a conectar accidentalmente el aparato.
- d. **Guarde las herramientas fuera del alcance de los niños y de las personas que no estén familiarizadas con su uso.** Las herramientas utilizadas por personas inexpertas son peligrosas.
- e. **Cuide sus aparatos con esmero. Controle si funcionan correctamente, sin atascarse, las partes móviles del aparato, y si existen partes rotas o deterioradas que pudieran afectar al funcionamiento de la herramienta. Si la herramienta eléctrica estuviese defectuosa haga repararla antes de volver a utilizarla.** Muchos de los accidentes se deben a aparatos con un mantenimiento deficiente.
- f. **Mantenga los útiles limpios y afi lados.** Los útiles mantenidos correctamente se dejan guiar y controlar mejor.
- g. **Utilice herramientas eléctricas, accesorios, útiles, etc. de acuerdo a estas instrucciones y en la**










manera indicada específicamente para este aparato. Considere en ello las condiciones de trabajo y la tarea a realizar. El uso de herramientas eléctricas para trabajos diferentes de aquellos para los que han sido concebidas puede resultar peligroso.

- h. Mantenga las empuñaduras secas, limpias y libres de aceite y grasa.** Las empuñaduras resbaladizas no permiten una manipulación y un control seguros de la herramienta eléctrica en situaciones inesperadas.

5 SERVICIO

- a. Únicamente haga reparar su herramienta eléctrica por un profesional, empleando exclusivamente piezas de repuesto originales.** Solamente así se mantiene la seguridad de la herramienta eléctrica.
- b. Utilice exclusivamente piezas originales para la reparación y el mantenimiento de su herramienta.** El uso de accesorios o piezas de recambio no previstos puede producir descargas eléctricas o lesiones.

In dieser Betriebsanleitung verwendete Symbole

- V.....voltios
- A.....amperios
- Hz.....hercios
- W.....vatios
- ~.....Corriente alterna
- n_o Velocidad nominal
- min^{-1} Revoluciones o rotaciones por minuto
-  ...Herramienta clase II
- Advertencia de peligro general
- Leer estas instrucciones
- Usar siempre protección ocular
- Usar siempre máscara antipolvo
- Usar siempre protección auditiva
- Uso de casco de seguridad homologado
- ¡PELIGRO! Mantenga las manos alejadas de la zona de corte y del disco.
-  No deseche las herramientas eléctricas, los accesorios ni el embalaje junto con los residuos domésticos

Instrucciones de seguridad para tronadoras

- **La caperuza protectora perteneciente a la herramienta eléctrica deberá montarse firmemente, cuidando que quede orientada de manera que ofrezca una seguridad máxima, o sea, cubriendo al máximo la parte del útil a la que queda expuesta el usuario. Cuide que Ud. y las demás personas en las inmediaciones se encuentren fuera del plano de rotación del disco.** La misión de la caperuza protectora es proteger al usuario de los fragmentos que puedan desprenderse del útil y del contacto accidental con éste.
- **Utilice exclusivamente discos tronadores diamantados en su herramienta eléctrica.** El mero hecho de que sea acoplable un accesorio a su herramienta eléctrica no implica que su utilización resulte segura.
- **Las revoluciones admisibles del útil deberán ser como mínimo iguales a las revoluciones máximas indicadas en la herramienta eléctrica.** Aquellos accesorios que giren a unas revoluciones mayores a las admisibles pueden llegar a romperse y salir despedidos.
- **Solamente emplee el útil para aquellos trabajos para los que fue concebido. P. ej.: no emplee las caras de los discos tronadores para amolar.** En los discos de tronar, el arranque de material deberá llevarse a cabo con la periferia del disco. Si son sometidos a un esfuerzo lateral, ello puede provocar su rotura.
- **Siempre use una brida en perfecto estado y del diámetro prescrito para el disco seleccionado.** Una brida adecuada soporta convenientemente el útil reduciendo así el peligro de rotura del mismo.
- **No intente aprovechar los discos amoladores de otras herramientas eléctricas más grandes, aunque su diámetro exterior se haya reducido suficientemente por el desgaste.** Los discos amoladores destinados para herramientas eléctricas grandes no son aptos para soportar las velocidades periféricas más altas a las que trabajan las herramientas eléctricas más pequeñas, y pueden llegar a romperse.
- **El diámetro exterior y el grosor del útil deberán corresponder con las medidas indicadas para su herramienta eléctrica.** Los útiles de dimensiones incorrectas no pueden protegerse ni controlarse con suficiente seguridad.
- **El diámetro de alojamiento de los discos y de las bridas deberá ajustar exactamente en el husillo de su herramienta eléctrica.** Los útiles que no ajusten exactamente sobre el husillo, al girar descentrados, generan unas vibraciones excesivas y pueden hacerle perder el control sobre la herramienta eléctrica.
- **No emplee discos dañados. Antes de cada utilización inspeccione si los discos están desportillados o fisurados. Si se le cae la herramienta eléctrica o el disco, inspeccione si éste ha sufrido algún daño o monte otro disco en correctas condiciones. Una vez inspeccionado y montado el disco sitúese Ud. y las personas circundantes fuera del plano de rotación del disco y deje funcionar la herramienta eléctrica en vacío, a las revoluciones máximas, durante un minuto.** Por lo regular, los discos dañados suelen romperse al realizar esta comprobación.
- **Utilice un equipo de protección personal. Dependiendo del trabajo a realizar use una careta, una protección para los ojos, o unas gafas de protección. Si procede, emplee una mascarilla antipolvo, protectores auditivos, guantes de protección o un mandil especial adecuado para protegerle de los pequeños fragmentos que pudieran salir proyectados al desprenderse del útil o pieza.** Las gafas de protección deberán ser indicadas para protegerle de los fragmentos que pudieran salir despedidos al trabajar. La mascarilla antipolvo o respiratoria deberá ser apta para filtrar las partículas producidas al trabajar. La exposición prolongada al ruido puede provocar sordera.
- **Cuide que las personas en las inmediaciones se mantengan a suficiente distancia de la zona de trabajo. Toda persona que acceda a la zona de trabajo deberá utilizar un equipo de protección personal.** Podrían ser lesionadas, incluso fuera del área de trabajo inmediato, al salir proyectados

fragmentos de la pieza de trabajo o del útil.

- **Únicamente sujete el aparato por las empuñaduras aisladas al realizar trabajos en los que el útil pueda tocar conductores eléctricos ocultos o el propio cable del aparato.** El contacto con conductores bajo tensión puede hacer que las partes metálicas del aparato le provoquen una descarga eléctrica.
- **Mantenga el cable de red alejado del útil en funcionamiento.** En caso de que Ud. pierda el control sobre el aparato, el cable de red puede llegar a cortarse o enredarse y arrastrarle su mano o brazo contra el útil en funcionamiento.
- **Jamás deposite la herramienta eléctrica antes de que el útil se haya detenido por completo.** El útil en funcionamiento puede llegar a tocar la base de apoyo y hacerle perder el control sobre la herramienta eléctrica.
- **No deje funcionar la herramienta eléctrica mientras la transporta.** El útil en funcionamiento podría lesionarle al engancharse accidentalmente con su vestimenta.
- **Limpie periódicamente las rejillas de refrigeración de su herramienta eléctrica.** El ventilador del motor aspira polvo hacia el interior de la carcasa, por lo que, en caso de una acumulación fuerte de polvo metálico, ello puede provocarle una descarga eléctrica.
- **No utilice la herramienta eléctrica cerca de materiales combustibles.** Las chispas producidas al trabajar pueden llegar a incendiar estos materiales.

Causas del retroceso y advertencias al respecto


- El retroceso es una reacción brusca que se produce al atascarse o engancharse un disco en rotación. Al atascarse o engancharse el disco en funcionamiento, éste es frenado bruscamente. Ello puede hacerle perder el control sobre la herramienta eléctrica y hacer que ésta salga impulsada en dirección opuesta al sentido de giro que tenía el disco. En el caso, p. ej., de que un disco se atasque o bloquee en la pieza de trabajo, puede suceder que el canto del útil que penetra en el material se enganche, provocando la rotura del útil o el retroceso brusco del aparato. Según el sentido de giro y la posición del útil en el momento de bloquearse puede que éste resulte despedido hacia, o en sentido opuesto al usuario. En estos casos puede suceder que el útil incluso llegue a romperse. El retroceso es ocasionado por la aplicación o manejo incorrecto de la herramienta eléctrica. Es posible evitarlo ateniéndose a las medidas preventivas que a continuación se detallan.
- **Sujete con firmeza la herramienta eléctrica y mantenga su cuerpo y brazos en una posición propicia para resistir las fuerzas de reacción. Si forma parte del aparato, utilice siempre la empuñadura adicional para poder soportar mejor las fuerzas de retroceso, además de los pares de reacción que se presentan en la puesta en marcha.** El usuario puede controlar las fuerzas de retroceso y de reacción si toma unas medidas preventivas oportunas.
- **Jamás aproxime su mano al útil en funcionamiento.** En caso de un retroceso, el útil podría lesionarle la mano.
- **No coloque su cuerpo alineado con el disco en funcionamiento.** Al retroceder bruscamente, la herramienta eléctrica saldrá despedida desde el punto de bloqueo en dirección opuesta al sentido de giro del útil.
- **Tenga especial precaución al trabajar esquinas, cantos afilados, etc. Evite que el útil de amolar rebote contra la pieza de trabajo o que se atasque.** En las esquinas, cantos afilados, o al rebotar, el útil en funcionamiento tiende a atascarse. Ello puede hacerle perder el control o causar un retroceso del útil.
- **No utilice útiles dentados o para talla de madera, ni tampoco discos diamantados segmentados si el ancho de sus ranuras en la periferia es superior a 10 mm.** Estos útiles son propensos al retroceso y

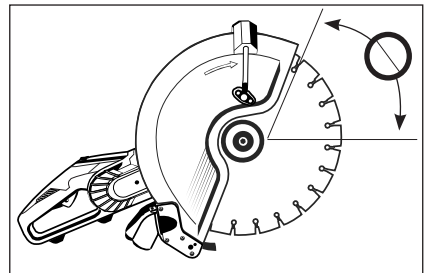
pueden hacerle perder el control sobre la herramienta eléctrica.

- **Evite que se bloquee el disco tronzador y una presión de aplicación excesiva. No intente realizar cortes profundos.** Al solicitar en exceso el disco tronzador éste es más propenso a ladearse o bloquearse, lo que puede provocar un retroceso brusco del mismo o su rotura.
- **Si el disco tronzador se bloquea, o si tuviese que interrumpir su trabajo, desconecte la herramienta eléctrica y manténgala en esa posición, sin moverla, hasta que el disco tronzador se haya detenido por completo. Jamás intente sacar el disco tronzador en marcha de la ranura de corte, ya que ello puede provocar que éste retroceda bruscamente.** Investigue y subsane la causa del bloqueo.
- **No intente proseguir el corte, estando insertado el disco tronzador en la ranura de corte. Una vez fuera de la ranura de corte, espere a que el disco tronzador haya alcanzado las revoluciones máximas, y prosiga entonces el corte con cautela.** En caso contrario el disco tronzador podrá bloquearse, salirse de la ranura de corte, o retroceder bruscamente.
- **Soporte las planchas u otras piezas de trabajo grandes para reducir el riesgo de bloqueo o retroceso del disco tronzador.** Las piezas de trabajo grandes tienden a curvarse por su propio peso. La pieza de trabajo deberá apoyarse desde abajo a ambos lados tanto cerca de la línea de corte como en los bordes.
- **Proceda con especial cautela al realizar recortes “por inmersión” en paredes o superficies similares.** El disco tronzador puede ser rechazado al tocar tuberías de gas o agua, conductores eléctricos, u otros objetos.

Advertencias de seguridad de la máquina de corte - Normas de seguridad adicionales

ADVERTENCIA: evite cortar en el cuadrante superior del disco, especialmente cuando inicia el corte. Es muy probable que esa zona produzca un retroceso.

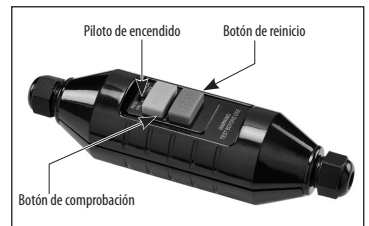
 **ADVERTENCIA:** cuando corte plásticos no permita que estos se fundan. si el plástico se funde puede pegarse al disco, produciendo un retroceso.



CONEXIÓN ELÉCTRICA

La tensión de red debe corresponderse con el voltaje indicado en la placa de identificación de la herramienta. En ningún caso utilice la herramienta cuando el cable de alimentación esté dañado. El cable dañado debe ser reemplazado de forma inmediata por un centro autorizado de servicios de atención al cliente. No intente reparar el cable dañado por su cuenta. El uso de cables de alimentación dañados puede provocar descargas eléctricas.

ADVERTENCIA: nunca utilice una máquina dañada. Señalice la máquina dañada e indique que está fuera de servicio hasta que se repare.



Nota: el formato de DDR portátil (GFCI) varía en función de los requisitos de las diferentes regiones. Imágenes solo como referencia.

ADVERTENCIA: estas máquinas están equipadas con un dispositivo diferencial residual (DDR) portátil, también conocido como interruptor de circuito de fallos con conexión a tierra (GFCI, en inglés). Cuando vaya a hacer uso de la máquina utilice siempre este dispositivo para reducir el riesgo de descargas. Coloque siempre el DDRP tan cerca como sea posible de la fuente de alimentación. Compruebe y reinicie el DDRP antes de cada uso. Pulse el botón "test" para iniciar la comprobación. Pulse el botón de reinicio (reset) para conectar el circuito a la máquina.

INTRODUCCIÓN

Esta máquina está equipada con dos empuñaduras y un protector de disco. El motor dispone de sistema de protección de sobrecarga y sobrecalentamiento. Tiene un sistema de alimentación de agua integrado necesario para el corte con disco de diamante, y un dispositivo diferencial residual (DDR) portátil para la seguridad eléctrica. Solo debe usarse con un disco de diamante o con un disco abrasivo. La finalidad de esta máquina es la de corte de hormigón, mampostería, piedra y materiales similares. Se prohíbe cualquier otro uso distinto al de la finalidad de la máquina.

LISTA DE CONTENIDOS

- Sierra para hormigón
- Conjunto de rodillos guía
- M17 Llave combinada
- Protector contra salpicaduras
- Kit para corte enrasado

MONTAJE

- Fije el disco. (Véase más adelante el apartado "fijación del disco").
- Si se desea, fije el conjunto de rodillos guía (véase más adelante "montaje de rodillos guía").
- Fije la escobilla del protector de disco (véase más adelante "escobilla del protector de disco" para las instrucciones de montaje).
- Monte el protector contra salpicaduras (véase más adelante "protector contra salpicaduras" para las instrucciones de montaje).

DISCOS DE DIAMANTE

Tipos de discos de diamante permitidos

Esta máquina solo puede usarse con discos de diamante o discos abrasivos.

- Utilice solo discos diamantados de corona continua o segmentada.
- Si los discos son segmentados, el espacio periférico máximo permitido entre los segmentos es de 10 mm y han de disponerse en un ángulo de inclinación negativo.
- Solo se pueden usar discos de diamante de 405 mm (16") o inferiores.
- El grosor del disco debe ser de al menos 2,4 mm, y no superar los 6,35 mm.

Almacenamiento y transporte de los discos

No almacene ni transporte la máquina con el disco montado. Retire el disco y guárdelo de tal forma que no pueda doblarse o dañarse cuando la máquina no se use - Esto ayudará a prevenir daños en el disco. Un disco dañado puede dar a lugar a condiciones irregulares, y estas a su vez provocar un desajuste que derive en un peligro. Examine siempre los discos nuevos para buscar daños causados por el transporte o el almacenamiento.

Acerca de los discos de diamante

Los discos de diamante se componen de un núcleo de acero con segmentos de diamante incrustados en su perímetro.

Los discos de diamante tienen diferentes grados de dureza para materiales de mampostería, piedra, hormigón, hormigón reforzado, etc.

Algunos discos de diamante están diseñados solo para corte húmedo, mientras que otros pueden usarse para corte seco. Consulte las instrucciones del fabricante del disco.

En general, incluso si el disco es específico para corte seco, las herramientas de diamante funcionan mejor cuando están húmedas, el corte seco debe limitarse a situaciones en las que no se pueda o no se debe utilizar agua. El agua previene que el disco se sobrecaliente, reduce en gran medida la cantidad de polvo que se crea al cortar, elimina la lechada del corte y aumenta la vida útil del disco. El corte seco de materiales muy duros como la porcelana o el hormigón reforzado provocarán un desgaste rápido de la herramienta y posibles fallos. Los segmentos de diamante incrustados funcionan según el principio de erosión controlada. La matriz de unión que contiene los diamantes se desgasta continuamente debido a la abrasión con la pieza de trabajo, lo que hace que los diamantes más duros sobresalgan de la matriz de unión. Los discos para cortar materiales más duros tienen una matriz más blanda, lo que permite que la proyección de diamantes sea más agresiva (aunque la duración será menor). Los discos para cortar materiales más blandos o materiales abrasivos tendrán un núcleo más duro, lo que permite resistir la abrasividad del material y su duración será mayor. Con una erosión insuficiente de la matriz de unión (los diamantes no quedan expuestos) el disco se desafilará. Es lo que se denomina matriz pulida o desgastada. Si el disco parece que no corta más significa que está pulida. Véase más adelante: **"Aflar un disco pulido"**

Nunca realice movimientos bruscos o el disco podría dañarse. Por el contrario, no aplique presión de alimentación de forma demasiado suave o los segmentos de diamante se pulirán. Hacer funcionar el disco a un ritmo constante.

Si lo hace manualmente, preste especial atención en mantener el disco alineado con el corte de sierra. Si el disco está torcido se endereza fácilmente. Cuando corte hormigón reforzado, tenga especial cuidado si se encuentra acero incrustado. Reduzca la presión del caudal de agua aproximadamente 1/3, y deje que el disco adquiera su propio ritmo, si hay demasiadas vibraciones el disco podría romperse. Una vez haya atravesado el acero continúe el proceso con normalidad.

NOTA: nunca utilice un disco de corte húmedo sin agua, este se sobrecalentará y se romperá.

NOTA: cuando utilice discos para corte seco, no permita que se sobrecalienten. Es preferible no cortar durante más de 60 segundos seguidos, dejando funcionar 10 segundos el refrigerador entre cada intervalo.

Siempre fije el disco con la flecha en la dirección de rotación de la máquina (la flecha de dirección está marcada en el protector de disco).

ADVERTENCIA: nunca utilice discos para cortar un material diferente al indicado.

AFILAR UN DISCO PULIDO

Nunca realice movimientos bruscos o el disco podría pulirse (desafilarse). Cuando los segmentos de diamante se han pulido, el rendimiento de corte del disco disminuirá y los segmentos se sobrecalentarán. Para afilar el disco, desconecte la alimentación de agua y haga algunos cortes en materiales muy blandos y abrasivos, como en ladrillos o en piedra abrasiva de óxido de aluminio o de carburo de silicio.

FIJACIÓN DEL DISCO

Asegúrese de que la máquina está desenchufada.

Después, use la llave combinada de 17 mm, sujete el perno del eje y gire el eje mientras presiona el cierre del eje. Cuando el eje está en la posición correcta, su cierre ya puede engranarse. A continuación ya puede aflojarse el perno y la brida plana exterior puede retirarse.

La brida interior de esta máquina es de 1" (25,4mm). Compruebe la brida interior para asegurarse de que el tamaño casa con el diámetro del disco.

Examine el disco antes de su uso. No debe estar agrietado, deformado o dañado de cualquier forma que pueda causar algún peligro durante su funcionamiento. Los segmentos de diamante desprendidos pueden proyectarse a alta velocidad, causando posibles lesiones. Siempre verifique que los segmentos de diamante no están rasos. Si los segmentos de diamante son más estrechos que el núcleo del disco, el corte de sierra será demasiado ajustado y podría causar fácilmente un retroceso.

Asegúrese de que las bridas y el disco están limpios y sin daños y que todo se ajusta correctamente. Las bridas no deben usarse si están combadas, sucias o si la superficie es irregular o tiene rebabas. El eje del perno y las sus roscas no deben estar dañados. Examine los discos para encontrar segmentos dañados, daños en el orificio del eje o cualquier otro daño que pueda provocar una operación peligrosa.

El extremo prominente de la brida interior debe estar frente al disco. Después, fije el disco a la brida interior y monte la brida exterior. Introduzca el perno del eje y apriete hasta los 15-25 Nm.

ADVERTENCIA: no intente fijar un disco que no encaja con los elementos de instalación. Podría causar vibraciones y un funcionamiento excéntrico del disco que no podrían controlarse.

AJUSTAR EL PROTECTOR DE DISCO

Desde el extremo del eje el disco rota hacia la derecha. Por lo tanto, la mayoría de los residuos de corte, chispas y lechada se desechan por la parte trasera. Ajuste el protector de disco de modo que el extremo posterior esté alineado con la pieza de trabajo.

PARA AJUSTAR

Primero, tire de la palanca de bloqueo haciendo fuerza contra el muelle, después gire el protector de disco hasta la posición deseada. Encaje la palanca de bloqueo en la ranura más cercana al protector para fijarlo en la posición.



ESCOBILLA DEL PROTECTOR DE DISCO

Hay una escobilla extraíble en la parte posterior de la cubierta que ayuda a contener las chispas, el polvo, los residuos y la lechada. Para instalarla, simplemente presione la escobilla dentro de la ranura de la parte trasera de la abrazadera del conector del polvo hasta que encaje. Esta escobilla retirarse directamente cuando se haya desgastado.

PROTECTOR CONTRA SALPICADURAS

El muelle accionado por resorte del protector contra salpicaduras ayuda a contener la lechada que salpica en parte posterior.

Para instalarlo, encájelo en su lugar, en la parte trasera de la abrazadera del conector de polvo. Para retirarlo, inclínelo hacia arriba para que se libere.

Si el protector contra salpicaduras no es necesario, como cuando se corta en seco, puede desmontarse.

Simplemente encaje la abrazadera macho en la solapa y la abrazadera hembra en el soporte. Desenganchar para quitarlo.

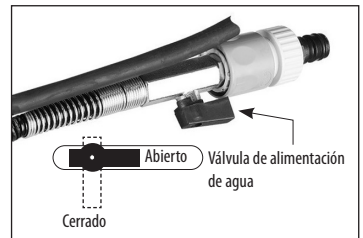
CONEXIÓN DE ALIMENTACIÓN DE AGUA

El agua es el requisito básico para el uso de la sierra de diamante con discos de diamante para corte húmedo. El agua sirve como refrigerante para evitar que se sobrecaliente la superficie de trabajo de los segmentos de diamante. También retiene el polvo y elimina las partículas abrasivas.

ADVERTENCIA: utilice siempre el DDR portátil cuando vaya a trabajar con agua.

**ADVERTENCIA: nunca permita que entre agua en el motor.
Podría provocar descargas eléctricas.**

ADVERTENCIA: compruebe todas las conexiones del sistema de alimentación de agua para asegurarse de que no hay fugas. Examine las mangueras y otros puntos críticos que podrían deteriorarse.



ADVERTENCIA: el nivel máximo de presión de agua no debe superar los 70 psi (4 bar).

Haga uso de un colector de agua con una aspiradora de húmedo para recoger el agua de refrigeración si los objetos cercanos pudieran dañarse. El sistema de alimentación de agua está instalado en la máquina. Para conectar el suministro de agua, primero tire del anillo de liberación rápida para retirar la válvula hembra del magueto de alimentación de agua. Después, desenrosque la tuerca y ajuste el manguito a la manguera. Ahora reconecte el manguito a la válvula macho de alimentación de agua. Presione hasta que encaje.

El flujo de agua se controla mediante la válvula de alimentación. El agua que llega al disco ha de ajustarse de forma precisa a la cantidad requerida.

NOTA: los contaminantes en el suministro de agua pueden obstruir fácilmente las boquillas de agua del protector de disco.

Asegúrese de que el suministro de agua está limpio. Si no hay flujo de agua en el disco, entonces limpie el sistema de suministro de agua de la máquina.

MONTAJE DE RODILLOS GUÍA

Los rodillos guía hacen que el cepillo del disco se mantenga fácilmente de forma perpendicular a la pieza de trabajo. Para instalarlos, afloje el tornillo de mariposa ligeramente y encaje las cuatro pinzas junto con los cuatro ojetes en la parte inferior de la carcasa del motor, después apriete el tornillo de mariposa.



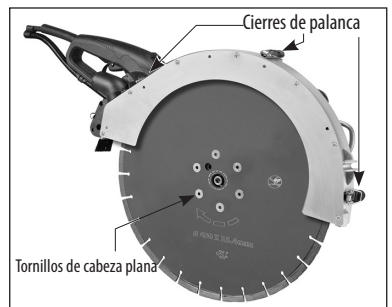
INSTRUCCIONES DEL KIT PARA CORTE AL RAS

INTRODUCCIÓN

El kit para corte al ras permite montar una hoja para corte al ras (no incluida) en la herramienta, lo que permite cortar al ras cuando se extraiga de manera provisional la protección exterior de la hoja.

COMPONENTES

1. Brida para corte al ras
2. Perno de eje tipo allen y arandela
3. Tornillos de capuchón con cabeza plana (x6)
4. Llave allen M5
5. Llave allen M8
6. Cubierta de corte a ras y 7 tornillos de cabeza plana



MONTAJE

Para el montaje del kit para corte al ras, retire primero el perno de eje estándar, las bridas y la hoja de acuerdo con el manual de instrucciones.

1. Retire la manguera del agua de la boquilla en la protección exterior de la hoja y conéctela a otra boquilla en la protección interior de la hoja.
2. Retirar la cubierta antisalpicaaduras y extraer los 7 tornillos que sujetan la cubierta del disco externo.
3. Abra los 3 cierres y enganche las solapas sueltas en los clips de plástico para evitar la vibración.
4. Levante la protección exterior de la cuchilla y colóquela en un lugar seguro.
5. Monte la brida para corte al ras en el husillo y asegúrela con la arandela y el perno del eje tipo allen. Enrosque el cierre del eje apretando con seguridad el perno del eje con la llave allen M8.



ADVERTENCIA: ¡No utilice espaciadores ni bridas bajo la brida para corte al ras!

6. Monte la hoja de corte al ras en la brida, alinee los orificios e inserte los tornillos de capuchón con cabeza plana. Apriete los tornillos con la llave allen M5 de manera uniforme y en diagonal.

7. Monte la cubierta de la sierra y apriete los 7 tornillos de cabeza plana.

ADVERTENCIA: No la ponga en funcionamiento si la cubierta de la sierra no está montada.

8. Una vez se realice la actividad de corte al ras, vuelva a montar la sierra en su configuración de corte estándar.

NOTA: Existe un margen de efectividad de aproximadamente 1 mm o menos (dependiendo del grosor de la hoja de diamante).

Sin embargo, la protección de la hoja es algo flexible, por lo que si presiona ligeramente hacia abajo conseguirá un corte completamente preciso. Al realizar el corte se consigue una planitud perfecta. Debe haber un poco de margen para que la hoja no deje marcas de movimiento en el material de base en casos en los que sea importante. Por lo tanto, si quiere evitar esas marcas, no presione hacia abajo. Si quiere conseguir un corte totalmente preciso, ejerza fuerza hacia abajo.

ADVERTENCIA: Utilice la sierra siempre con la protección exterior de la hoja colocada cuando realice cortes estándar. No utilice nunca la sierra sin la protección exterior de la hoja, excepto para cortes al ras.

ADVERTENCIA: Compruebe la fijación de los tornillos de montaje y de eje de manera periódica.

ADVERTENCIA: Si nota alguna vibración extraña durante la operación, deténgase inmediatamente y busque la causa antes de continuar.

PROTECCIÓN DE SOBRECARGA, PROTECCIÓN TÉRMICA

Piloto de advertencia de sobrecarga

Cuando se alcanza la carga máxima, el piloto de advertencia de sobrecarga parpadeará en color rojo. Si se supera la carga máxima y se prolonga demasiado, el motor se parará por completo y el piloto se iluminará en color rojo. En ese caso, primero debe detenerse el motor y luego reiniciarlo.



Protección térmica de sobrecalentamiento

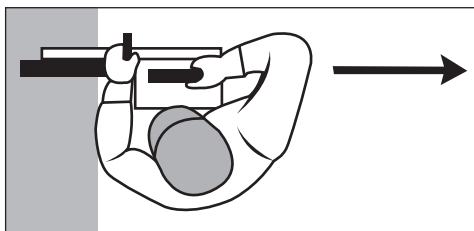
Si el motor alcanza una temperatura demasiado alta, la protección térmica detiene el motor. Primero debe desconectarse el interruptor y luego reiniciarlo. Cuando suceda esto, no comience a cortar inmediatamente después de reiniciar el motor. Funcione siempre con la máquina sin carga durante unos minutos para volver a una temperatura normal antes de continuar con la operación.

ATENCIÓN: el motor sufrirá daños si el sobrecalentamiento o la sobrecarga se producen reiteradamente. Siempre enfríe el motor haciéndolo funcionar sin carga unos minutos cuando se haya parado debido a sobrecalentamiento o sobrecarga.

FUNCIONAMIENTO

Cómo sujetar la máquina

- Agarre siempre la máquina con las dos manos, la derecha en la empuñadura principal y la izquierda en la empuñadura lateral. (Esto es aplicable incluso si el operador es zurdo)
- No se ponga directamente en línea con el disco. Colóquese de tal manera que, si hay un retroceso de la máquina, no se encuentre en la trayectoria del disco.
- Nunca se incline sobre la trayectoria del disco. Esa acción pondría su cuerpo alineado con el disco si se produce un retroceso.
- No corte por encima de la altura del hombro.
- Nunca corte mientras esté en una escalera o en cualquier otra plataforma inestable.

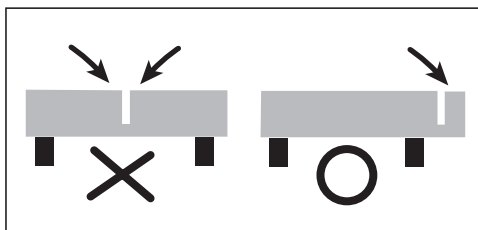


Antes de cortar

- Compruebe la zona donde va a hacer el corte, asegúrese de que está libre de objetos que puedan hacer tropezar a un operador.
- Antes de cortar, a veces es útil marcar la línea de corte con una tiza o algo similar. Para hacer un corte recto también es útil un tablón de madera, para guiar a la máquina en la realización del corte recto.
- Asegúrese de que las personas que pasen cerca se encuentran a una distancia segura.
- Verifique que todo el equipo de seguridad está en su sitio.

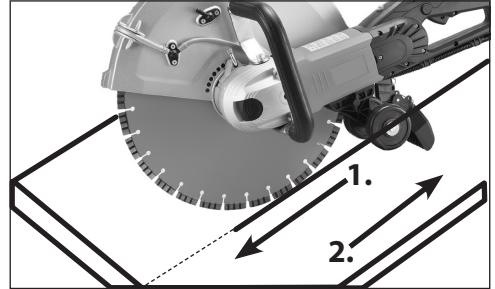
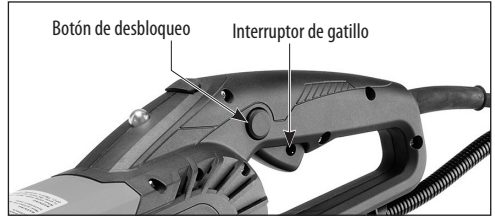
Soporte correcto de la pieza de trabajo

- Apoye la pieza de trabajo de tal forma que el corte de sierra no presione al disco.
- Asegure la pieza de trabajo de modo que no pueda rodar, resbalarse o moverse debido a la vibración que se produce durante el corte.
- La secuencia de corte es importante cuando se hacen muescas. Haga siempre el último corte evitando que se presione el disco. Por lo tanto, realice primero el corte horizontal en la parte trasera, después en los laterales y finalmente haga el último corte horizontal en la parte delantera.
- Tenga en cuenta el peso de la pieza de trabajo y la dirección en la que puede caer cuando esté cortada.
- Siempre que exista una situación en la que varias piezas de trabajo puedan provocar una situación de peligro, deje una pequeña lengüeta y finalice la operación de corte con un cincel o una herramienta similar.



Técnica de corte

- Sostenga la máquina con ambas manos para aguantar la torsión de la puesta en marcha, apriete el botón de reiniciar y presione el interruptor de gatillo.
- Deje que la máquina alcance la velocidad máxima antes de entrar en contacto con la pieza de trabajo.
- Ajuste el flujo de agua según sea necesario girando la válvula de alimentación.
- Después, comience a cortar suavemente con la parte trasera del disco hasta que haya formado el corte de sierra. Realice el primer corte hacia delante (de modo que pueda ver la línea de corte). A continuación, haga los siguientes cortes hacia atrás.
- No intente hacer cortes demasiado profundos de una sola pasada. Nunca supere los 50 mm (2") en cada pasada.
- Es conveniente cortar primero ranura de guía poco profunda antes de proceder con el corte principal. Si se necesita cualquier corrección, levante el disco y corte ligeramente hacia adelante, después vuelva al corte de sierra existente. Tenga cuidado y evite que se presione el disco.
- En piezas de trabajo redondas, la mejor técnica es realizar un movimiento lento y uniforme hacia delante, mientras se corta con el cuadrante inferior del disco.
- No permita que la máquina se atore. Limite la presión de alimentación para mantener el giro del disco a alta velocidad.
- Nunca cargue lateralmente el disco en el corte de sierra.
- El corte en hormigón es muy estresante para el motor: Al finalizar el corte la temperatura será muy alta, funcionar siempre con el motor sin carga hace que la temperatura vuelva a sus límites normales antes de que se pare.



Parada

Libere el interruptor de gatillo para parar la máquina. Después de que haya liberado el interruptor, el disco continuará girando durante un tiempo.

ADVERTENCIA: no apague la máquina hasta que el disco haya dejado de girar.

Nota: Asegúrese siempre de que la bolsa de polvo de la aspiradora no está muy llena. Una bolsa demasiado llena puede reducir la eficiencia de recogida de polvo, lo que podría resultar en un control escaso del polvo.

MANTENIMIENTO Y LIMPIEZA

La máquina funciona en entornos y bajo condiciones adversas. La lechada creada a raíz del corte húmedo y el polvo que genera el corte seco son succionados y se acumulan en las ranuras del refrigerador del motor y se introducen en él. La lechada de ladrillo y hormigón contiene sales y otras sustancias corrosivas que reducen considerablemente la vida útil del motor, o provocan cortocircuitos si se permite su acumulación.

Por lo tanto, es esencial para la vida útil de la herramienta limpiarla en profundidad después de cada uso.

El aire comprimido debería introducirse a través de las ranuras de la parte trasera de la máquina mientras el motor está en funcionamiento.

Mantenimiento diario

- Mantenga limpia la máquina.
- Compruebe que el cable de alimentación está en buen estado.
- Asegúrese de que todos los tornillos están apretados.
- Examine el estado de todo el equipo de seguridad, como el protector de disco.
- Examine el disco en busca de daños.

Escobillas de carbón

Las escobillas de carbón son unas piezas que suelen desgastarse y deben reemplazarse cuando alcancen su límite de desgaste. Esta máquina está equipada con escobillas de carbón de parada automática. Si la máquina se para inesperadamente, deben revisarse las escobillas. La escobilla de parada automática está diseñada para proteger el motor, haciendo que la máquina se pare antes de que las escobillas estén completamente desgastadas.

Atención: reemplazar siempre las escobillas por pares.

Para reemplazar:

1. Retire los 4 tornillos y quite la cubierta de escobilla.
2. Con unos alicates gire el muelle de la escobilla hacia afuera y saque la escobilla usada de su soporte.
3. Desenrosque el tornillo para quitar el cable de la escobilla. La escobilla de carbón usada ya puede retirarse por completo.
4. Instale la nueva escobilla realizando el proceso a la inversa.
5. Ponga de nuevo la cubierta de la escobilla



Si es necesario reemplazar el cable de alimentación, esta operación debe realizarla el fabricante o su representante del fabricante a fin de evitar riesgos para la seguridad.

ADVERTENCIA: todas las reparaciones deben encargarse a un centro de servicios autorizado. Cualquier reparación incorrecta podría causar lesiones o provocar la muerte.

¡No deseche las herramientas eléctricas junto con los residuos domésticos!

De acuerdo con la directiva europea 2002/96/CE para residuos de aparatos eléctricos y electrónicos y la transposición a la legislación nacional, las herramientas eléctricas usadas deben recopilarse por separado y reciclarse de una manera respetuosa con el medio ambiente.

Información sobre ruido/vibración

Medición de acuerdo con la norma EN 60745-2-22.

Modelo n°: C16

Nivel de ruido: Nivel de presión acústica(L_{pA}): 105,0 dB (A)
Nivel de potencia acústica(L_{wA}): 116,0 dB (A) K= 3,0 dB (A)

Nivel de vibración: ah = 3,9 m/s² K = 1,5 m/s²

El nivel de emisión de vibración se ha medido según una prueba estandarizada de acuerdo con la norma EN 60745. Se ha empleado para comparar una herramienta con otra, y como evaluación preliminar de exposición a la vibración al usar la herramienta para las aplicaciones mencionadas.

- El uso de la herramienta para diferentes aplicaciones, con otros accesorios o con accesorios en mal estado puede incrementar notablemente la exposición al ruido.
- El tiempo en el que la herramienta está desconectada o cuando está en funcionamiento pero sin realizar el trabajo puede reducir de forma significativa el nivel de exposición.

Protéjase contra los efectos vibratorios conservando en buen estado la herramienta, manteniendo sus manos calientes y organizando sus patrones de trabajo.

Declaración de conformidad CE

- Declaramos bajo nuestra única responsabilidad que este producto se encuentra en conformidad con las siguientes normas o documentos estandarizados: EN 60745-1: 2009 + A11: 2010 & EN 60745-2-22: 2011 + A11: 2013, EN 61000, EN 55014 de acuerdo con las regulaciones 2006/42/EC, 2014/30/EU, 2011/65/EU
- Documentación técnica en: LEE YEONG INDUSTRIAL CO., LTD., N° 2, KEJIA RD., DOULIU CITY, CONDADO DE YUNLIN 64057, TAIWAN

You-Chun, Liu
Operaciones e ingeniería

You chun Liu

Chih-Hao, Lai
Responsable de
aprobaciones

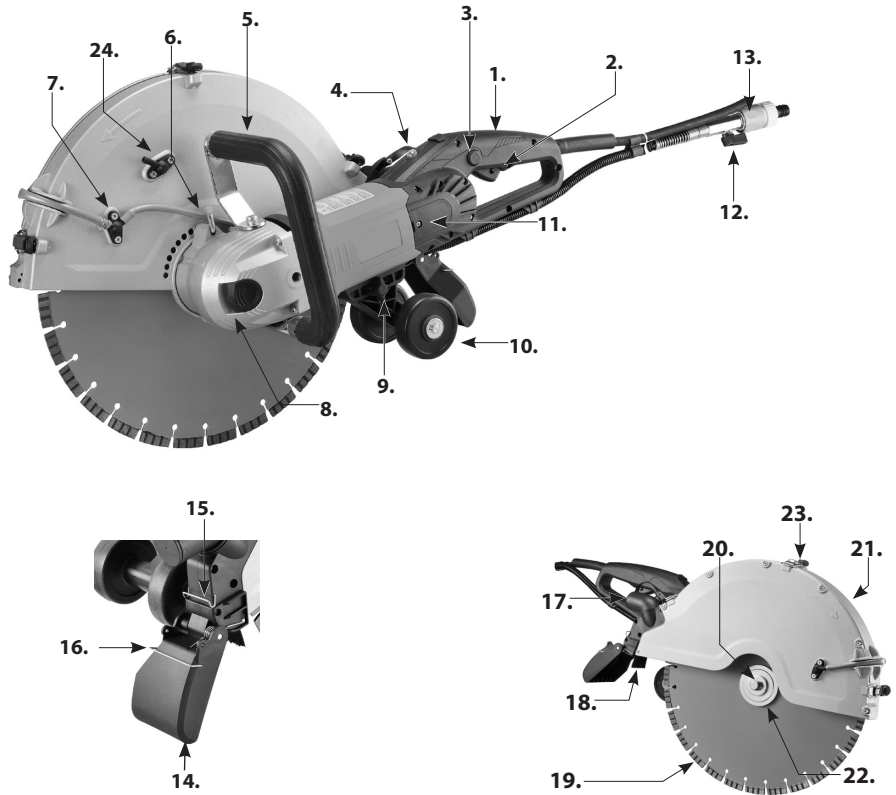
chih hao lai

LEE YEONG INDUSTRIAL CO., LTD.,
N° 2, KEJIA RD., DOULIU CITY, CONDADO DE YUNLIN 64057, TAIWAN 12.30.2016

LEE YEONG INDUSTRIAL CO., LTD.
N° 2, KEJIA RD., DOULIU CITY, CONDADO DE
YUNLIN 64057, TAIWAN 30.12.2016
TEL: 886-5-5518689 (REP)
Fax: 886-5-5518635 (REP)

SPECIFICHE

Modello	C16
Potenza assorbita	230V: 2700W (3200W effettivi), 115V: 2300W (3000W effettivi)
Tensione	220-240V~50/60Hz, 110-120V~50/60Hz (vedi targhetta sistema)
Velocità nominale	n=3900 min ⁻¹
Diametro lama	405mm (16")
Albero	25,4mm (1")
Profondità di taglio max.	150mm (6")
Peso	9,6kg (21,1 lb) (10kg (22,2 lb) con rulli di guida)



- | | |
|---------------------------------------|------------------------------|
| 1. Impugnatura principale | 13. Raccordo acqua |
| 2. Grilletto | 14. Paraspruzzi |
| 3. Pulsante di sblocco | 15. Attacco femmina |
| 4. Spia di carico | 16. Attacco maschio |
| 5. Impugnatura laterale | 17. Porta aspiratore |
| 6. Leva di bloccaggio protezione lama | 18. Spazzola protezione lama |
| 7. Ugello di alimentazione acqua | 19. Lama diamantata |
| 8. Pulsante di bloccaggio albero | 20. Bullone albero |
| 9. Bullone a farfalla | 21. Protezione lama |
| 10. Gruppo rulli di guida | 22. Flangia esterna |
| 11. Riparo spazzola | 23. Chiusure a leva |
| 12. Valvola di alimentazione acqua | 24. Ugello acqua alternativo |

ISTRUZIONI GENERALI DI SICUREZZA



ATTENZIONE! È assolutamente necessario leggere attentamente tutte le avvertenze di sicurezza e le istruzioni. Eventuali errori nell'adempimento delle avvertenze e delle istruzioni qui di seguito riportate potranno causare scosse elettriche, incendi e/o lesioni gravi.

Conservare tutte le avvertenze di pericolo e le istruzioni operative per ogni esigenza futura.

Il termine «elettroutensile» utilizzato nelle avvertenze di pericolo si riferisce ad utensili elettrici alimentati dalla rete (con linea di allacciamento) ed ad utensili elettrici alimentati a batteria (senza linea di allacciamento).

1. POSTO DI LAVORO

- a. **Mantenere pulito ed ordinato il posto di lavoro.** Il disordine e le zone di lavoro non illuminate possono essere fonte di incidenti.
- b. **Evitare d'impiegare l'utensile in ambienti soggetti al rischio di esplosioni nei quali si trovino liquidi, gas o polveri infuamabili.** Gli utensili elettrici producono scintille che possono far infuamare la polvere o i gas.
- c. **Mantenere lontani i bambini ed altre persone durante l'impiego dell'utensile elettrico.** Eventuali distrazioni potranno comportare la perdita del controllo sull'utensile.
- d. **Non lasciare incustodito l'elettroutensile.** Lasciare l'area soltanto quando l'elettroutensile si è completamente arrestato.

2. SICUREZZA ELETTRICA

- a. **La spina per la presa di corrente dovrà essere adatta alla presa. Evitare assolutamente di apportare modifiche che alla spina. Non impiegare spine adattatrici assieme ad utensili con collegamento a terra.** Le spine non modificate e le prese adatte allo scopo riducono il rischio di scosse elettriche.
- b. **Evitare il contatto fisico con superfici collegate a terra, come tubi, riscaldamenti, cucine elettriche e frigoriferi.** Sussiste un maggior rischio di scosse elettriche nel momento in cui il corpo è messo a massa.
- c. **Custodire l'utensile al riparo dalla pioggia o dall'umidità.** L'eventuale infiltrazione di acqua in un utensile elettrico va ad aumentare il rischio d'insorgenza di scosse elettriche.
- d. **Non usare il cavo per scopi diversi da quelli previsti al fine di trasportare o appendere l'apparecchio, oppure di togliere la spina dalla presa di corrente. Mantenere l'utensile al riparo da fonti di calore, dall'olio, dagli spigoli o da parti di strumenti in movimento.** I cavi danneggiati o aggrovigliati aumentano il rischio d'insorgenza di scosse elettriche.
- e. **Qualora si voglia usare l'utensile all'aperto, impiegare solo ed esclusivamente cavi di prolunga omologati per l'impiego all'esterno.** L'uso di un cavo di prolunga omologato per l'impiego all'esterno riduce il rischio d'insorgenza di scosse elettriche.
- f. **Qualora non fosse possibile evitare di utilizzare l'elettroutensile in ambiente umido, utilizzare un interruttore di sicurezza.** L'uso di un interruttore di sicurezza riduce il rischio di una scossa elettrica.

3. SICUREZZA DELLE PERSONE

- a. **È importante concentrarsi su ciò che si sta facendo e a maneggiare con giudizio l'utensile elettrico**

durante le operazioni di lavoro. Non utilizzare l'utensile in caso di stanchezza o sotto l'effetto di droghe, bevande alcoliche e medicinali. Un attimo di distrazione durante l'uso dell'utensile potrà causare lesioni gravi.

- b. Indossare sempre equipaggiamento protettivo individuale, nonché guanti protettivi.** Se si avrà cura d'indossare equipaggiamento protettivo individuale come la maschera antipolvere, la calzatura antidruduciolevole di sicurezza, il casco protettivo o la protezione dell'udito, a seconda dell'impiego previsto per l'utensile elettrico, si potrà ridurre il rischio di ferite.
- c. Evitare l'accensione involontaria dell'utensile. Assicurarsi che il tasto si trovi in posizione di "SPENTO", prima d'inserire la spina nella presa di corrente.** Il fatto di tenere il dito sopra all'interruttore o di collegare l'utensile acceso all'alimentazione di corrente potrà essere causa di incidenti.
- d. Togliere gli attrezzi di regolazione o la chiave inglese prima di accendere l'utensile.** Un utensile o una chiave inglese che si trovino in una parte di strumento in rotazione potranno causare lesioni.
- e. È importante non sopravvalutarsi. Avere cura di mettersi in posizione sicura e di mantenere l'equilibrio.** In tale maniera sarà possibile controllare meglio l'apparecchio in situazioni inaspettate.
- f. f) Indossare indumenti adeguati. Non indossare indumenti ampi né gioielli. Tenere i capelli e gli indumenti lontani dalle parti in movimento.** Indumenti ampi, gioielli o capelli lunghi possono restare impigliati nelle parte della macchina in movimento.
- g. Se sussiste la possibilità di montare dispositivi di aspirazione o di captazione della polvere, assicurarsi che gli stessi siano stati installati correttamente e vengano utilizzati senza errori.** L'impiego dei suddetti dispositivi diminuisce il pericolo rappresentato dalla polvere.
- h. Non lasciatevi prendere da un'eccessiva confidenza con le macchine spesso dovuta alla frequenza di utilizzo delle stesse, che possa portare a trascurare importanti principi di sicurezza per l'uso dell'utensile.** Un'azione imprudente può provocare gravi lesioni in pochi secondi.

4. MANEGGIO ED IMPIEGO ACCURATO DI UTENSILI ELETTRICI.

- a. Non sovraccaricare l'utensile. Impiegare l'utensile elettrico adatto per sbrigare il lavoro.** Utilizzando l'utensile elettrico adatto si potrà lavorare meglio e con maggior sicurezza nell'ambito della gamma di potenza indicata.
- b. Non utilizzare utensili elettrici con interruttori difettosi.** Un utensile elettrico che non si può più accendere o spegnere è pericoloso e dovrà essere riparato.
- c. Togliere la spina dalla presa di corrente prima di regolare l'apparecchio, di sostituire pezzi di ricambio o di mettere da parte l'apparecchio.** Tale precauzione eviterà che l'apparecchio possa essere messo in funzione inavvertitamente.
- d. Custodire gli utensili elettrici non utilizzati al di fuori della portata dei bambini. Non fare usare l'apparecchio a persone che non sono abituate ad usarlo o che non abbiano letto le presenti istruzioni.** Gli utensili elettrici sono pericolosi se utilizzati da persone inesperte.
- e. Effettuare accuratamente la manutenzione dell'apparecchio. Verifi care che le parti mobili dello strumento funzionino perfettamente e non s'inceppino, che non ci siano pezzi rotti o danneggiati al punto tale da limitare la funzione dell'apparecchio stesso. Far riparare le parti danneggiate prima d'impiegare l'apparecchio.** Numerosi incidenti vengono causati da utensili elettrici la cui manutenzione è stata effettuata poco accuratamente.
- f. Mantenere affi lati e puliti gli utensili da taglio.** Gli utensili da taglio curati con particolare attenzione e con taglienti affi lati s'inceppano meno frequentemente e sono più facili da condurre.
- g. Utilizzare utensili elettrici, accessori, attrezzi, ecc. in conformità con le presenti istruzioni e secondo**

quanto previsto per questo tipo specifici co di apparecchio. Osservare le condizioni di lavoro ed il lavoro da eseguirsi durante l'impiego. L'impiego di utensili elettrici per usi diversi da quelli consentiti potrà dar luogo a situazioni di pericolo.

- h. Tenere le impugnature asciutte, pulite e prive di olio e grasso.** Impugnature scivolose non consentono manovrabilità né controllo sicuri dell'elettrotensile in caso di situazioni inaspettate.

5. ASSISTENZA

- a. Fare riparare l'apparecchio solo ed esclusivamente da personale specializzato e solo impiegando pezzi di ricambio originali.** In tale maniera potrà essere salvaguardata la sicurezza dell'apparecchio.
- b. Per gli interventi di riparazione e manutenzione, utilizzare soltanto parti originali.** L'utilizzo di accessori o ricambi non idonei può causare scosse elettriche o lesioni.

Simboli utilizzati nel manuale

V.....volt

A.....ampere

Hz.....hertz

W.....watt

~.....corrente alternata

n_o velocità nominale

min^{-1} giri od oscillazioni al minuto



.....utensile classe II



.....avvertenza di pericolo generico



.....leggere queste istruzioni



.....indossare sempre protezioni per gli occhi



.....indossare sempre una maschera antipolvere.



.....indossare sempre protezioni per l'udito



.....indossare un elmetto omologato



.....PERICOLO! Tenere le mani lontane dalla zona di taglio e dalla lama.



non smaltire gli utensili elettrici, gli accessori e gli imballaggi insieme ai rifiuti domestici

Indicazioni di sicurezza per troncatrici

- **La cuffia di protezione relativa all'elettrotensile deve essere applicata in modo sicuro e deve essere regolata in modo tale da poter garantire il massimo possibile di sicurezza, questo significa che la parte dell'utensile abrasivo che, senza protezione, è rivolta verso l'operatore, deve essere ridotta al minimo possibile. Avere cura di tenersi lontani ed impedire ad altre persone nelle vicinanze di avvicinarsi al disco abrasivo rotante.** La cuffia di protezione ha il compito di proteggere l'operatore da frammenti e da contatto accidentale con l'utensile abrasivo.
- **Utilizzare esclusivamente mole da taglio diamantate ammesse per l'elettrotensile.** Il semplice fatto che un accessorio possa essere fissato sull'elettrotensile non garantisce un impiego sicuro.
- **Il numero di giri ammesso dell'accessorio impiegato deve essere almeno tanto alto quanto il numero massimo di giri riportato sull'elettrotensile.** Un accessorio che gira più rapidamente di quanto consentito può rompersi in vari pezzi e venir lanciato intorno.
- **Utensili abrasivi possono essere impiegati esclusivamente per le possibilità applicative esplicitamente raccomandate. P. es.: Non effettuare mai lavori di levigatura con la superficie laterale di una mola da taglio.** Mole da taglio sono previste per l'asportazione di materiale con il bordo del disco. Esercitando carichi laterali su questi utensili abrasivi vi è il pericolo di romperli.
- **Per il disco abrasivo selezionato utilizzare sempre flange di serraggio non danneggiate e che siano della corretta dimensione.** Flange adatte hanno una funzione di corretto supporto del disco abrasivo riducendo il più possibile così il pericolo di una rottura del disco abrasivo stesso.
- **Non utilizzare mai mole abrasive usurate previste per elettrotensili più grandi.** Mole abrasive previste per elettrotensili più grandi non sono concepite per le maggiori velocità di elettrotensili più piccoli e possono rompersi.
- **Il diametro esterno e lo spessore dell'accessorio montato devono corrispondere ai dati delle dimensioni dell'elettrotensile in dotazione.** In caso di utilizzo di portautensili e di accessori di dimensioni sbagliate non sarà possibile schermanli oppure controllarli a sufficienza.
- **Dischi abrasivi e flange devono adattarsi perfettamente all'alberino dell'elettrotensile.** Accessori che non si adattano perfettamente all'alberino dell'elettrotensile non ruotano in modo uniforme, vibrano molto forte e possono provocare la perdita del controllo.
- **Non utilizzare mai dischi abrasivi danneggiati. Prima di ogni utilizzo controllare i dischi abrasivi in merito a scheggiature e crepe. Se l'elettrotensile oppure il disco abrasivo dovesse cadere, controllare che lo stesso non abbia subito alcun danno oppure utilizzare un disco abrasivo intatto. Una volta controllato e montato il disco abrasivo, far funzionare l'apparecchio per la durata di un minuto con il numero massimo di giri avendo cura di tenersi lontani ed impedendo anche ad altre persone di avvicinarsi al disco abrasivo rotante.** Nella maggior parte dei casi dischi abrasivi danneggiati si rompono nel corso di questo periodo di prova.
- **Indossare abbigliamento di protezione. A seconda dell'applicazione in corso utilizzare una visiera completa, maschera di protezione per gli occhi oppure occhiali di sicurezza. Per quanto necessario, portare maschere per polveri, protezione acustica, guanti di protezione oppure un grembiule speciale in grado di proteggervi da piccole particelle di levigatura o di materiale.** Gli occhi dovrebbero essere protetti da corpi estranei espulsi in aria nel corso di diverse applicazioni. La maschera antipolvere e la maschera respiratoria devono essere in grado di filtrare la polvere provocata durante l'applicazione. Esponendosi per lungo tempo ad un rumore troppo forte vi è il pericolo di perdere l'udito.
- **Avere cura di evitare che altre persone possano avvicinarsi alla zona in cui si sta lavorando. Ogni persona che entra nella zona di operazione deve indossare un abbigliamento protettivo personale.** Frammenti del pezzo in lavorazione oppure utensili rotti possono volar via oppure provocare incidenti

anche al di fuori della zona diretta di lavoro.

- **Tenere l'apparecchio esclusivamente per le superfici isolate dell'impugnatura qualora venissero effettuati lavori durante i quali l'accessorio potrebbe venire a contatto con cavi elettrici nascosti oppure con il proprio cavo di rete.** Il contatto con un cavo sotto tensione può mettere sotto tensione anche parti metalliche dell'apparecchio, causando una scossa elettrica.
- **Tenere il cavo di collegamento elettrico lontano dagli utensili rotanti.** Perdendo il controllo sull'apparecchio, il cavo elettrico potrebbe essere tagliato oppure afferrato e la mano oppure il braccio potrebbe venire a contatto con l'utensile rotante.
- **Mai poggiare l'elettrotensile prima che il portautensili o l'accessorio impiegato non si sia fermato completamente.** L'utensile in rotazione può entrare in contatto con la superficie di appoggio facendoVi perdere il controllo sulla macchina pneumatica.
- **Mai trasportare l'elettrotensile mentre questo dovesse essere ancora in funzione.** Attraverso un contatto casuale l'utensile in rotazione potrebbe fare presa sugli indumenti oppure sui capelli dell'operatore e potrebbe arrivare a ferire seriamente il corpo dell'operatore.
- **Pulire regolarmente le feritoie di ventilazione dell'elettrotensile in dotazione.** Il ventilatore del motore attira polvere nella carcassa ed una forte raccolta di polvere di metallo può provocare pericoli di origine elettrica.
- **Non utilizzare mai l'elettrotensile nelle vicinanze di materiali infiammabili.** Le scintille possono far prendere fuoco questi materiali.

Contraccolpo e relative avvertenze di pericolo

- Un contraccolpo è la reazione improvvisa in seguito ad agganciamento oppure blocco di un disco abrasivo rotante. L'agganciamento oppure il blocco causano un arresto improvviso dell'utensile rotante. Di conseguenza l'elettrotensile non più controllabile viene accelerato al punto di blocco in direzione opposta a quella della rotazione dell'utensile. Se p. es. un disco abrasivo rimane agganciato oppure bloccato nel pezzo in lavorazione, il bordo del disco abrasivo che è inserito nel pezzo in lavorazione può rimanere impigliato causando la rottura del disco abrasivo oppure un contraccolpo. Il disco abrasivo si avvicina oppure si allontana dall'operatore a seconda del senso di rotazione del disco che ha nel momento in cui si blocca. In questi casi i dischi abrasivi possono anche rompersi. Un contraccolpo è la conseguenza di un uso non appropriato oppure non corretto dell'elettrotensile. Lo stesso può essere evitato prendendo misure precauzionali come descritto di seguito.
- **Tenere sempre ben saldo l'elettrotensile e portare il proprio corpo e le proprie braccia in una posizione che Vi permetta di compensare le forze di contraccolpo. Se disponibile, utilizzare sempre l'impugnatura supplementare in modo da poter avere sempre il maggior controllo possibile su forze di contraccolpi oppure momenti di reazione che si sviluppano durante la fase in cui la macchina raggiunge il regime di pieno carico.** Prendendo appropriate misure di precauzione l'operatore può essere in grado di tenere sotto controllo le forze di contraccolpo e quelle di reazione a scatti.
- **Mai avvicinare la propria mano alla zona degli utensili in rotazione.** Nel corso dell'azione di contraccolpo il portautensili o accessorio potrebbe passare sulla Vostra mano.
- **Evitare di avvicinarsi al settore anteriore e posteriore della mola da taglio rotante.** Il contraccolpo provoca uno spostamento improvviso dell'elettrotensile che si sviluppa nella direzione opposta a quella della rotazione del disco abrasivo al punto di blocco.
- **Operare con particolare attenzione in prossimità di spigoli, spigoli taglienti ecc.. Avere cura di impedire che portautensili o accessori possano rimbalzare dal pezzo in lavorazione oppure possano rimanervi bloccati.** L'utensile in rotazione ha la tendenza a rimanere bloccato in angoli, spigoli

taglienti oppure in caso di rimbalzo. Ciò provoca una perdita del controllo oppure un contraccolpo.

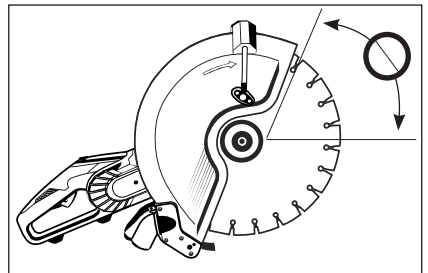
- **Non utilizzare seghe a catena oppure lame dentellate e mole diamantate segmentate con fessure larghe più di 10 mm.** Questi accessori causano spesso un contraccolpo oppure la perdita del controllo sull'elettrotensile.
- **Evitare di far bloccare il disco abrasivo da taglio diritto oppure di esercitare una pressione troppo alta. Non eseguire tagli eccessivamente profondi.** Sottoponendo la mola da taglio diritto a carico eccessivo se ne aumenta la sollecitazione e la si rende maggiormente soggetta ad angolature improprie o a blocchi venendo così a creare il pericolo di contraccolpo oppure di rottura dell'utensile abrasivo.
- **Qualora il disco abrasivo da taglio diritto dovesse incepparsi oppure si dovesse interrompere il lavoro, spegnere l'elettrotensile e tenerlo fermo fino a quando il disco si sarà fermato completamente. Non tentare mai di estrarre il disco abrasivo dal taglio in esecuzione perché si potrebbe provocare un contraccolpo.** Rilevare ed eliminare la causa per il blocco.
- **Mai rimettere l'elettrotensile in funzione fintanto che esso si trovi ancora nel pezzo in lavorazione. Prima di continuare ad eseguire il taglio procedendo con la dovuta attenzione, attendere che il disco abrasivo da taglio diritto abbia raggiunto la massima velocità.** In caso contrario è possibile che il disco resti agganciato, sbalzi dal pezzo in lavorazione oppure provochi un contraccolpo.
- **Dotare di un supporto adatto pannelli oppure pezzi in lavorazione di dimensioni maggiori in modo da ridurre il rischio di un contraccolpo dovuto ad un disco abrasivo da taglio diritto che rimane bloccato.** Pezzi in lavorazione di dimensioni maggiori possono piegarsi sotto l'effetto del proprio peso. Provvedere a munire il pezzo in lavorazione di supporti adatti al caso specifico sia nelle vicinanze del taglio di troncatura che in quelle del bordo.
- **Operare con particolare attenzione in caso di «tagli dal centro» da eseguire in pareti già esistenti oppure in altre parti non visibili.** Il disco abrasivo da taglio diritto che inizia il taglio sul materiale può provocare un contraccolpo se dovesse arrivare a troncare condutture del gas o dell'acqua, linee elettriche oppure oggetti di altro tipo.



Avvertenze di sicurezza per il taglio - Altre norme di sicurezza

AVVERTENZA: evitare il taglio nel quadrante superiore della lama, soprattutto all'inizio dell'operazione. È altamente probabile che la zona in questione provochi un contraccolpo.

AVVERTENZA: qualora si debba tagliare della plastica, fare in modo che quest'ultima non si sciolga. La plastica sciolta può aderire alla lama e causare un contraccolpo.



COLLEGAMENTO ELETTRICO

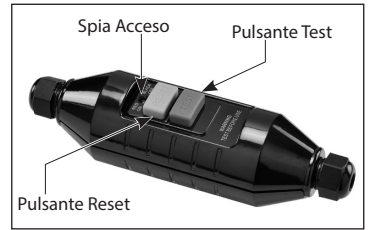
La tensione di rete deve essere conforme alla tensione indicata sulla targhetta dell'utensile. L'utensile non deve mai essere utilizzato qualora venga riscontrato il danneggiamento del cavo di alimentazione. Il cavo danneggiato deve essere sostituito immediatamente da un Centro di assistenza autorizzato. Non tentare di riparare autonomamente il cavo danneggiato. L'utilizzo di cavi di alimentazione danneggiati può provocare

folgorazioni.

AVVERTENZA: non mettere mai in funzione un sistema danneggiato. Segnalare sempre che il sistema è danneggiato e metterlo fuori servizio fino alla relativa riparazione.

AVVERTENZA: questi sistemi sono dotati di un interruttore differenziale (PRCD), noto anche come interruttore GFCI (Ground Fault Circuit Interrupter). Attivare sempre questo dispositivo durante l'utilizzo del sistema per ridurre il rischio di scosse elettriche.

Posizionare sempre il PRCD il più vicino possibile alla fonte di alimentazione. Testare e resettare il dispositivo PRCD prima di ogni utilizzo. Premere il pulsante "Test" per testarlo. Premere il pulsante "Reset" per dare energia al circuito del sistema.



Nota: l'aspetto del PRCD (GFCI) varia a seconda dei requisiti delle diverse regioni. Le foto sono puramente indicativ

INTRODUZIONE

Il presente sistema è dotato di due impugnature e di una protezione della lama. Il motore è dotato di protezioni da sovraccarico e anti-surriscaldamento. Comprende un impianto di alimentazione dell'acqua integrato necessario per il taglio a diamante ed è dotato di un interruttore differenziale (PRCD) per la sicurezza elettrica. Deve essere utilizzato esclusivamente con una lama diamantata o una mola abrasiva. È stato progettato per il taglio di muratura, pietra, calcestruzzo, cemento armato e materiali simili. Ogni altro uso è severamente vietato.

ELENCO DEI CONTENUTI

- Troncatrice per calcestruzzo
- Gruppo rulli di guida
- Chiave universale M17
- Paraspruzzi
- Kit taglio a filo

ASSEMBLAGGIO

- Montare la lama (Consultare la sezione "Montaggio della lama" riportata sotto)
- Montare il gruppo rulli di guida, se del caso (consultare la sezione "Gruppo rulli di guida" riportata sotto)
- Montare la spazzola di protezione della lama (consultare la sezione "Spazzola di protezione della lama" riportata sotto per le istruzioni relative all'assemblaggio)
- Montare il paraspruzzi (consultare la sezione "Paraspruzzi" riportata sotto per le istruzioni relative all'assemblaggio)

LAME DIAMANTATE

Tipi di lame consentiti

Il presente sistema può utilizzare esclusivamente lame diamantate o mole abrasive

- Utilizzare esclusivamente lame diamantate a bordo segmentato o continuo.
- Se le lame diamantate sono segmentate, la distanza periferica massima consentita tra i segmenti è di

10mm e le lame devono essere caratterizzate da un angolo di spoglia negativo.

- Possono essere utilizzate esclusivamente lame diamantate di 405mm (16") o inferiori.
- Lo spessore della lama deve essere di almeno 2,4mm ma non superiore a 6,35mm.

Immagazzinamento e trasporto delle lame

Non immagazzinare o trasportare il sistema con la lama montata. Quando il sistema non viene utilizzato, rimuovere la lama e immagazzinarla in modo tale che sia protetta al fine di evitare che si pieghi o che venga in qualche modo danneggiata.

Un eventuale danneggiamento della lama può essere causa di condizioni irregolari, che a loro volta possono provocare uno squilibrio e costituire un pericolo. Esaminare sempre le lame nuove al fine di verificare che non vi siano danni dovuti all'immagazzinamento o al trasporto.

Informazioni sulle lame diamantate

Le lame diamantate sono costituite da un'anima in acciaio e presentano segmenti diamantati lungo la relativa periferia.

Sono disponibili lame diamantate per le varie durezza di muratura, pietra, calcestruzzo, cemento armato, ecc. Alcune lame diamantate sono progettate per essere utilizzate esclusivamente a umido, mentre altre sono progettate per poter essere utilizzate anche a secco. Consultare le istruzioni fornite dal produttore della lama. In generale, anche se la lama è nata come lama del tipo "a secco", gli utensili diamantati funzionano sempre meglio a umido e il taglio a secco dovrebbe essere limitato alle situazioni in cui l'acqua non può o non deve essere utilizzata. L'acqua impedisce alla lama di surriscaldarsi, riduce significativamente la quantità di polveri nocive prodotte durante l'operazione di taglio, rimuove la fanghiglia dal taglio e, allo stesso tempo, aumenta la vita della lama. Il taglio a secco di materiali estremamente duri quali la porcellana o il cemento armato porta a una rapida usura dell'utensile e alla sua possibile rottura.

I segmenti impregnati di diamanti funzionano in base al principio di erosione controllata. La matrice legante che tiene i diamanti viene consumata in continuazione per effetto dell'abrasione contro il pezzo da lavorare, esponendo i diamanti più duri in modo che sporgano dalla matrice legante. Le lame realizzate per tagliare materiali più duri presentano un legame più debole, che consente ai diamanti di sporgere in maniera più aggressiva (ma con una durata inferiore). Le lame realizzate per tagliare materiali più morbidi e abrasivi presentano un legame più forte, che consente loro di resistere all'abrasività del materiale e di durare più a lungo. Un'erosione insufficiente della matrice legante (i diamanti non vengono esposti) porta allo smussamento della lama. Questo fenomeno è denominato vetrificazione. Se la lama non è più in grado di tagliare, è vetrificata. Consultare la sezione riportata sotto: **"Affilatura di una lama vetrificata"**

Non effettuare mai dei movimenti bruschi al fine di non danneggiare la lama. Al contrario, non applicare una pressione di alimentazione insufficiente al fine di evitare la vetrificazione dei segmenti diamantati. Fare in modo che la lama lavori in maniera stabile.

Fare molta attenzione a tenere la lama allineata perpendicolarmente rispetto al solco. Se la lama è storta, si può incastrare facilmente. Nel tagliare il cemento armato, prestare particolare attenzione qualora si incontrino degli elementi in acciaio incorporati. Ridurre la pressione di alimentazione di circa 1/3 e lasciare che la lama proceda al proprio ritmo; una quantità eccessiva di vibrazioni può provocare la distruzione della lama. Una volta superata la parte in acciaio, continuare normalmente.

NOTA: non utilizzare mai una lama diamantata a umido senza acqua, al fine di evitarne il surriscaldamento e la distruzione.

NOTA: quando si utilizzano delle lame a secco, fare in modo che non si surriscaldino. Sarebbe preferibile effettuare delle sessioni di taglio che non superino i 60 secondi circa, intervallate da 10 secondi di funzionamento in modalità raffreddamento ad aria.

Montare sempre la lama in modo tale che la freccia corrisponda alla direzione di rotazione del sistema (una freccia di direzione è indicata sulla protezione della lama).

AVVERTENZA: non utilizzare mai le lame per tagliare materiali diversi da quelli previsti.

AFFILATURA DI UNA LAMA VETRIFICATA

Le lame diamantate possono vetrificarsi (smussarsi). Quando i segmenti diamantati si vetrificano, le prestazioni di taglio della lama si deteriorano e i segmenti si surriscaldano. Per riaffilare la lama, abbassare l'alimentazione dell'acqua ed effettuare alcuni tagli in un materiale estremamente morbido e abrasivo come un mattone o una pietra ravnivatrice in ossido di alluminio o carburo di silicio.

MONTAGGIO DELLA LAMA

Innanzitutto, assicurarsi che il sistema sia staccato dalla corrente.

Poi, utilizzando la chiave universale 17mm, innestare il bullone dell'albero e ruotare l'albero premendo allo stesso tempo il bloccaggio dell'albero. Quando l'albero raggiunge la posizione corretta, il bloccaggio dell'albero può innestarsi. Poi, il bullone dell'albero può essere allentato e la flangia piatta esterna può essere rimossa. La flangia interna del presente sistema misura 1" (25,4mm). Assicurarsi che le dimensioni della flangia interna combacino con il foro della lama.

Esaminare la lama prima dell'uso. Non deve essere spaccata, deformata o danneggiata in modo tale da costituire un pericolo durante il funzionamento. Eventuali segmenti diamantati allentati possono essere espulsi ad alta velocità, costituendo così una potenziale fonte di lesioni. Controllare sempre che i segmenti diamantati non presentino delle rientranze. Se i segmenti diamantati sono più sottili o quasi rispetto all'anima della lama, il solco risulta troppo stretto e potrebbe facilmente provocare un contraccolpo.

Assicurarsi che le flange e il foro della lama siano puliti e integri e che tutto combaci perfettamente. Le flange non devono essere utilizzate se sono deformate, se la relativa superficie è irregolare, scheggiata o se sono sporche. Il bullone e i filetti dell'albero devono essere integri. Esaminare le lame per assicurarsi che non vi siano danneggiamenti ai segmenti, al foro dell'albero o eventuali altri danneggiamenti passibili di rendere pericoloso il funzionamento.

Il bordo sporgente della flangia interna deve essere rivolto verso la lama. Poi, montare la lama sulla flangia interna e aggiungere la flangia esterna. Aggiungere il bullone dell'albero e serrare a 15-25 Nm.

AVVERTENZA: non tentare di montare una lama che non combacia con i componenti di montaggio. Ciò porta a un funzionamento eccentrico e a vibrazioni incontrollabili.

REGOLAZIONE DELLA PROTEZIONE DELLA LAMA

Se la si guarda dall'estremità dell'albero, la lama ruota in senso orario. Pertanto, la maggior parte dei detriti, delle scintille e della fanghiglia derivanti dall'operazione di taglio viene proiettata all'indietro. La protezione della lama deve quindi essere regolata in modo tale che il bordo posteriore sia a filo con il pezzo da lavorare.

PER REGOLARE

Innanzitutto, tirare fuori la leva di bloccaggio nella direzione opposta rispetto alla tensione della molla, poi ruotare la protezione della lama nella posizione desiderata. Fare in modo che la leva di bloccaggio si innesti nella fessura più vicina della protezione per bloccarla in posizione.



SPAZZOLA DI PROTEZIONE DELLA LAMA

La parte posteriore della protezione comprende una spazzola rimovibile che contribuisce a contenere le scintille, la polvere, i detriti e la fanghiglia. Per installare tale spazzola, occorre semplicemente spingerla nella fessura che si trova nella parte inferiore della staffa della porta dell'aspirapolvere fino a quando non scatta in posizione. Questa spazzola può essere estratta direttamente per essere sostituita se usurata.

PARASPRUZZI

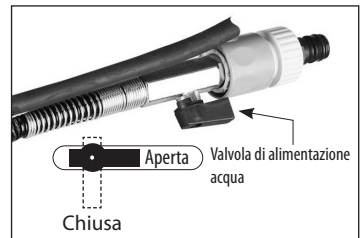
Il paraspruzzi a molla è utile per contribuire a contenere la fanghiglia che schizza all'indietro. Per installarlo, occorre semplicemente agganciarlo nella parte posteriore della staffa della porta dell'aspirapolvere. Per rimuoverlo, inclinarlo verso l'alto per sganciarlo. Qualora il paraspruzzi non sia necessario, come nel caso del taglio a secco, può essere spostato verso l'alto e agganciato. Occorre semplicemente innestare l'attacco maschio che si trova sulla ribalta nell'attacco femmina che si trova sul supporto. Sganciare per rilasciarlo.

COLLEGAMENTO DELL'ACQUA

L'acqua è un requisito fondamentale per il taglio a diamante con lame diamantate a umido. L'acqua serve da refrigerante al fine di evitare che la superficie di lavoro dei segmenti diamantati si surriscaldi.

Inoltre, l'acqua limita la polvere e lava via le particelle abrasive.

AVVERTENZA: durante il funzionamento con l'acqua, utilizzare sempre il PRCD (GFCI)



AVVERTENZA: fare in modo che l'acqua non entri nel motore al fine di evitare eventuali folgorazioni.

AVVERTENZA: controllare tutti i collegamenti dell'impianto di alimentazione dell'acqua per assicurarsi che non vi siano perdite. Esaminare tubi e altri componenti essenziali che potrebbero deteriorarsi.

AVVERTENZA: la pressione dell'acqua non deve superare 70 psi (4 bar).

Utilizzare un collettore d'acqua con un aspiraliquidi per raccogliere l'acqua di raffreddamento qualora quest'ultima possa danneggiare gli oggetti nelle vicinanze. L'impianto di alimentazione dell'acqua è incorporato nel sistema. Per collegarlo all'alimentazione dell'acqua, occorre innanzitutto tirare l'anello a innesto rapido per rimuovere il lato femmina del raccordo dell'acqua. Poi, svitare il dado e innestare il raccordo nel tubo dell'acqua. A questo punto, ricollegare il raccordo dell'acqua alla valvola maschio di alimentazione dell'acqua.

Premere fino a farlo scattare.

Il flusso dell'acqua è controllato tramite la valvola di alimentazione dell'acqua. La quantità d'acqua diretta verso la lama può essere regolata in maniera precisa a seconda delle necessità.

NOTA: eventuali impurità nell'alimentazione dell'acqua possono intasare con facilità gli ugelli di nebulizzazione dell'acqua nella protezione della lama.

Assicurarsi che l'acqua di alimentazione sia pulita. Se ci si accorge che non è presente alcun flusso d'acqua verso la lama, ripulire l'impianto di alimentazione dell'acqua del sistema.

GRUPPO RULLI DI GUIDA

I rulli di guida aiutano a mantenere il piano della lama perpendicolare al pezzo da lavorare. Per installarle, allentare leggermente il bullone a farfalla e innestare le quattro pinze con i quattro occhielli nella parte inferiore dell'alloggiamento del motore, poi serrare il bullone a farfalla.



ISTRUZIONI PER L'USO DEL KIT DI TAGLIO A FILO

INTRODUZIONE

Il kit di taglio a filo permette di montare la lama di taglio a filo (non inclusa) sulla macchina per poter eseguire tagli a filo con la protezione esterna della lama temporaneamente rimossa.

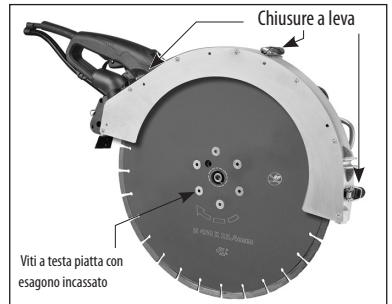
ELENCO DEI CONTENUTI

1. Flangia di taglio a filo
2. Rondella e bullone dell'albero a esagono incassato
3. Viti a testa piatta con esagono incassato x 6
4. Chiave a brugola M5
5. Chiave a brugola M8
6. Protezione per taglio a filo e viti a testa piatta x 7

ASSEMBLAGGIO

Per montare il kit di taglio a filo, occorre innanzitutto rimuovere il bullone dell'albero, le flange e la lama in base a quanto indicato nel manuale di istruzioni.

1. Rimuovere il tubo flessibile dell'acqua dal relativo ugello sulla protezione esterna della lama e collegarlo all'ugello dell'acqua alternativo sulla protezione interna della lama.
2. Rimuovere il paraspruzzi e le 7 viti che fissano la protezione della lama esterna.
3. Sganciare le 3 chiusure a leva e agganciare i fermagli allentati agli attacchi in plastica per evitare eventuali sferragliamenti.
4. Rimuovere la protezione esterna della lama e conservarla in un luogo sicuro.
5. Montare la flangia di taglio a filo sul mandrino e fissarla con la rondella e il bullone dell'albero a esagono incassato. Innestare il bloccaggio dell'albero e serrare il bullone



dell'albero saldamente utilizzando la chiave a brugola M8.

AVVERTENZA: Non utilizzare distanziali o flange sotto la flangia di taglio a filo!

6. Montare la lama di taglio a filo sulla flangia, allineare i fori e inserire le viti a testa piatta con esagono incassato. Utilizzando la chiave a brugola M5, serrare le viti uniformemente e in sequenza diagonale.
7. Montare la protezione per taglio a filo e serrare le 7 viti a testa piatta.

AVVERTENZA: Non eseguire il lavoro con la protezione per taglio a filo smontata.

8. Una volta completata l'operazione di taglio a filo, riportare immediatamente la troncatrice nella sua configurazione di taglio standard.

NOTA: È presente un offset di taglio effettivo di circa 1 mm o inferiore (a seconda dello spessore dei segmenti diamantati).

Ma siccome la protezione della lama presenta una certa flessibilità, una leggera pressione verso il basso permette un taglio perfettamente a filo. Durante l'operazione effettiva, il taglio diventa a filo al 100%. Deve essere presente un piccolo grado di offset per evitare la formazione di segni a forma di vortice nel materiale base in casi particolari. Per evitare segni a forma di vortice, non applicare forza verso il basso; per ottenere un taglio a filo al 100% applicare invece una certa forza verso il basso.

AVVERTENZA: La protezione esterna della lama deve sempre essere in posizione quando si effettuano delle operazioni di taglio standard. Non mettere mai in funzione la troncatrice quando la protezione esterna della lama è rimossa, a eccezione delle operazioni di taglio a filo.

AVVERTENZA: Controllare periodicamente il serraggio delle viti di montaggio e della vite dell'albero.

AVVERTENZA: Qualora si avvertano vibrazioni insolite durante il funzionamento, fermarsi immediatamente e individuarne la causa prima di continuare.

PROTEZIONE DA SOVRACCARICO E PROTEZIONE ANTI-SURRISCALDAMENTO

Spia di carico e sovraccarico

Quando si raggiunge il pieno carico, la spia di carico comincia a lampeggiare in rosso. Se la condizione di pieno carico viene superata e continua per un tempo prolungato, il motore si arresta e la spia di carico diventa rossa fissa. In questo caso, il motore deve essere innanzitutto spento e poi riavviato.

Protezione termica anti-surriscaldamento

Se il motore raggiunge una temperatura troppo elevata, la protezione termica fa sì che il motore si arresti. L'interruttore deve essere innanzitutto disattivato e poi riattivato. Qualora ciò accada, non iniziare immediatamente l'operazione di taglio dopo aver riavviato il motore. Prima di continuare, fare sempre funzionare il sistema a vuoto per alcuni minuti affinché ritorni a una temperatura di esercizio normale.

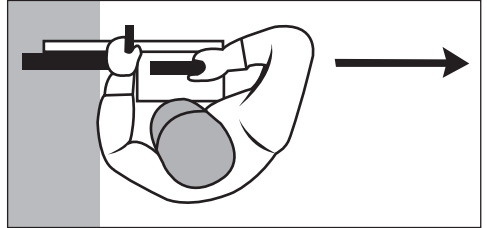


ATTENZIONE: il motore viene danneggiato in caso di sovraccarichi o surriscaldamenti ripetuti. Ogni volta che il motore si ferma per surriscaldamento o sovraccarico, lasciarlo raffreddare con un funzionamento a vuoto per alcuni minuti.

FUNZIONAMENTO

Come tenere il sistema

- Tenere sempre il sistema con entrambe le mani, tenendo la mano destra sull'impugnatura principale e la mano sinistra sull'impugnatura laterale. (Questo vale anche se l'operatore è mancino)
- Non stare esattamente in linea con la lama. Piuttosto, assumere una posizione che, in caso di contraccolpo, eviti all'operatore di trovarsi nella traiettoria della lama.
- Non piegarsi mai sulla traiettoria della lama. Un tale movimento allineerebbe il corpo alla lama in caso di contraccolpo.
- Non effettuare tagli sopra l'altezza delle spalle.
- Non eseguire mai delle operazioni di taglio stando su una scala o altre piattaforme instabili.

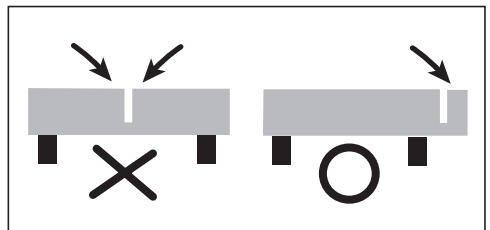


Prima di tagliare

- Assicurarsi che la zona nella quale deve essere effettuato il taglio sia priva di qualsiasi oggetto passibile di fare inciampare l'operatore.
- A volte, prima di tagliare, può essere utile segnare la linea di taglio con gesso o simili. Al fine di ottenere un taglio rettilineo, può anche essere utile un'asse di legno per guidare il sistema.
- Assicurarsi che tutti i presenti mantengano una distanza di sicurezza.
- Assicurarsi che tutti i dispositivi di sicurezza siano in posizione.

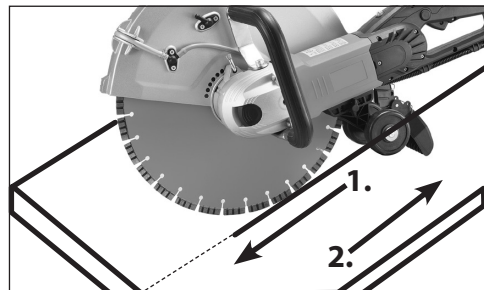
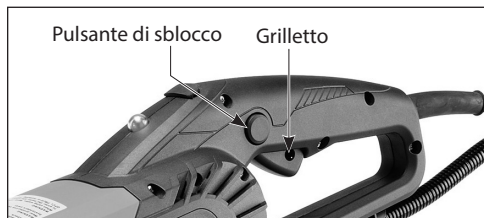
Supporto adeguato per il pezzo da lavorare

- Supportare il pezzo da lavorare in modo tale che il solco creato dal taglio non comprometta il corretto scorrimento della lama.
- Fissare il pezzo da lavorare in modo tale che non rotoli, scivoli via o si sposti a causa delle vibrazioni durante il taglio.
- La sequenza di taglio è importante quando lo scopo è quello di ottenere delle sagome. Effettuare sempre l'ultimo taglio in modo da evitare la compromissione del corretto scorrimento della lama. Pertanto, iniziare con il taglio orizzontale inferiore, poi procedere con i lati e infine effettuare il taglio orizzontale superiore.
- Considerare il peso del pezzo da lavorare e la direzione in cui cadrà quando verrà tagliato.
- Qualora vi sia la possibilità che il troncamento del pezzo da lavorare causi una situazione pericolosa, lasciare intatta una parte del materiale e completare l'operazione con un cesello o simili.



Tecnica di taglio

- Tenendo il sistema con entrambe le mani per resistere alla coppia di avviamento, premere il pulsante di sblocco e poi premere il grilletto.
- Lasciare che il sistema raggiunga la velocità massima prima di appoggiarlo al pezzo da lavorare.
- Regolare il flusso dell'acqua a seconda delle necessità ruotando la valvola di alimentazione dell'acqua.
- Poi, iniziare a tagliare delicatamente con la porzione posteriore della lama fino a creare il solco. Effettuare il primo taglio in avanti (in modo tale da poter vedere la linea di taglio). Poi, effettuare i tagli seguenti all'indietro.
- Non tentare di tagliare troppo in profondità con una sola passata. Non superare mai la quota di circa 50mm (2") a passata.
- È una buona idea realizzare innanzitutto una scanalatura superficiale di guida prima di procedere al taglio principale. Qualora vi sia la necessità di correggere, sollevare la lama e tagliare leggermente in avanti, poi di nuovo nel solco esistente. Fare attenzione a non compromettere il corretto scorrimento della lama.
- Nel caso di pezzi da lavorare di forma rotonda, la tecnica migliore è quella di utilizzare un movimento lento e uniforme avanti e indietro tagliando con il quadrante inferiore della lama.
- Fare in modo che il sistema non si incastri. Limitare la pressione di alimentazione per fare sì che la lama continui a girare ad alta velocità.
- Non caricare mai lateralmente la lama nel solco.
- Il taglio del calcestruzzo risulta estremamente stressante per il motore: alla fine dell'operazione di taglio, è buona prassi fare funzionare il sistema a vuoto per un breve periodo al fine di abbassare la temperatura del motore prima di arrestarlo.



Arresto

Rilasciare il grilletto per arrestare il sistema. Dopo aver rilasciato il grilletto, la lama continua a girare per un po'.

AVVERTENZA: non appoggiare il sistema fino a quando la lama non ha smesso di girare.

Nota: assicurarsi sempre che il sacchetto dell'aspirapolvere non sia eccessivamente pieno. Un sacchetto eccessivamente pieno riduce l'efficienza di raccolta della polvere con un conseguente scarso controllo della stessa.

MANUTENZIONE E PULIZIA

Il presente sistema lavora in ambienti estremamente ostili. La fanghiglia che si crea durante le operazioni di taglio a umido e la polvere che si forma durante le operazioni di taglio a secco vengono aspirate nelle fessure di raffreddamento del motore ed entrano in quest'ultimo. La fanghiglia derivante da mattoni e calcestruzzo contiene sali e altre sostanze corrosive passibili di ridurre drasticamente la vita del motore o, in caso di

accumulo, causare cortocircuiti.

Pertanto, al fine di allungare la vita dell'utensile, occorre pulirlo accuratamente dopo ogni utilizzo.

Soffiare dell'aria compressa attraverso le fessure di raffreddamento del sistema nella parte posteriore del sistema stesso mentre il motore è in funzione.

Manutenzione giornaliera

- Tenere pulito il sistema.
- Assicurarsi che il cavo di alimentazione sia in buone condizioni.
- Assicurarsi che tutte le viti siano strette.
- Controllare le condizioni di tutti i dispositivi di sicurezza come la protezione della lama.
- Controllare che la lama non sia danneggiata.

Spazzole di carbone

Le spazzole di carbone sono pezzi normalmente soggetti a usura e devono essere sostituite quando raggiungono il relativo limite di usura. Il presente sistema è dotato di spazzole di carbone ad arresto automatico. Se il sistema si ferma all'improvviso, le spazzole devono essere controllate. Il design delle spazzole ad arresto automatico protegge il motore fermando il sistema prima che le spazzole di carbone siano completamente usurate.

Attenzione: sostituire sempre le spazzole a coppie.

Per la sostituzione

1. Rimuovere la vite e il riparo della spazzola.
2. Utilizzando delle pinze, ruotare la molla della spazzola al fine di rimuoverla ed estrarre la vecchia spazzola di carbone dal portaspazzola.
3. Svitare la vite per rimuovere la spazzola. A questo punto la vecchia spazzola di carbone può essere rimossa.
4. Installare una nuova spazzola. Per l'installazione, applicare la procedura di rimozione all'inverso.
5. Riposizionare il riparo della spazzola.



Qualora fosse necessario sostituire il filo dell'alimentazione, l'operazione deve essere effettuata dal produttore o da un suo rappresentante al fine di evitare qualsiasi pericolo per la sicurezza.

AVVERTENZA: tutte le riparazioni devono essere affidate a un centro di assistenza autorizzato. Eventuali riparazioni eseguite in maniera errata possono essere causa di lesioni o decesso.

Non gettare gli utensili elettrici con i rifiuti domestici!

In conformità con la Direttiva europea 2002/96/CE sui Rifiuti di Apparecchiature Elettriche ed Elettroniche e la relativa trasposizione in legge nazionale, gli utensili elettrici usati devono essere raccolti separatamente e riciclati in maniera ecosostenibile.

Informazioni rumorosità/vibrazioni

Misurate in conformità con EN 60745-2-22

Modello n. : C16

Livello di rumorosità: Livello di pressione sonora (L_{pA}): 105,0 dB(A)

Livello di potenza sonora (L_{wA}): 116,0 dB(A)

K= 3,0 dB(A)

Livello vibrazioni:

$a_n = 3,9 \text{ m/s}^2$

K = 1,5 m/s^2

Il livello di vibrazioni emesse è stato misurato in conformità con un test standardizzato esposto in EN 60745; può essere utilizzato per mettere a confronto due utensili e come valutazione preliminare dell'esposizione alle vibrazioni quando si utilizza l'utensile per le applicazioni menzionate

- l'utilizzo dell'utensile per applicazioni diverse, o con accessori diversi o in cattivo stato, può aumentare sensibilmente il livello di esposizione

- il tempo durante il quale l'utensile è spento, oppure in funzione senza tuttavia svolgere nessuna operazione vera e propria, può ridurre sensibilmente il livello di esposizione

per proteggersi dagli effetti delle vibrazioni occorre mantenere in buono stato gli utensili e i relativi accessori, tenere calde le mani e organizzare i ritmi di lavoro

Dichiarazione di conformità CE

•Dichiariamo sotto la nostra esclusiva responsabilità che il presente prodotto è conforme alle seguenti norme o documenti standardizzati: EN 60745-1: 2009 + A11: 2010 & EN 60745-2-22: 2011 + A11: 2013, EN 61000, EN 55014 in conformità con le direttive 2006/42/CE, 2014/30/UE, 2011/65/UE

•Fascicolo tecnico presso: LEE YEONG INDUSTRIAL CO., LTD., NO.2, KEJIA RD., DOULIU CITY, YUNLIN COUNTY 64057, TAIWAN 64057, TAIWAN

You-Chun, Liu
Gestione e progettazione

You chun Liu

Chih-Hao, Lai
Responsabile approvazione

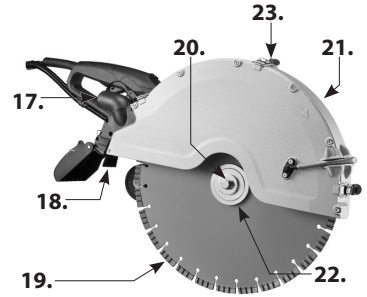
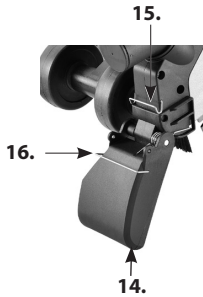
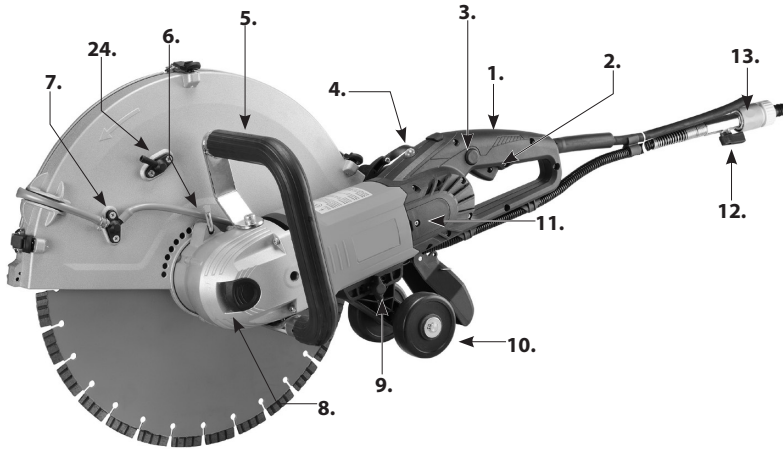
chih hao lai

LEE YEONG INDUSTRIAL CO., LTD.,
NO.2, KEJIA RD., DOULIU CITY, YUNLIN COUNTY 64057, TAIWAN 30.12.2016

LEE YEONG INDUSTRIAL CO., LTD.
NO.2, KEJIA RD., DOULIU CITY, YUNLIN
COUNTY 64057, TAIWAN
TEL: 886-5-5518689 (REP)
Fax: 886-5-5518635

SPECIFICATIE

Model	C16
Vermogen	230V: 2700W (3200W actual), 115V: 2300W
Voltage	220-240V~50/60Hz, 110-120V~50/60Hz (ZieNaamplaat)
Omw	n=3900 min ⁻¹
Zaagdiameter	405mm (16")
Asdiameter	25,4mm (1")
Max,diepte	150mm (6 ")
Gewicht	9,6kg (21.1 Lbs) (10,kg (22.2 Lbs) inc geleider



- | | |
|--------------------------------|---------------------------------|
| 1. Hoofd handvat | 13. Wateraansluiting |
| 2. Schakelaar | 14. Kap voor spatwater |
| 3. Blokkeerknop | 15. Vrouwelijke clip |
| 4. Indicatielamp overbelasting | 16. Mannelijke clip |
| 5. Zij handvat | 17. Vacuum Port |
| 6. Blokkeerknop stofkap | 18. Stofkapborstel |
| 7. Monstuk watertoevoer | 19. Diamantzaag |
| 8. Blokkeerknop voor hoofdas | 20. Asbout |
| 9. Vleugelmoer | 21. Stofkap |
| 10. Geleider | 22. Blokkeerflens |
| 11. Koolborsteldeksel | 23. Stofkapklem |
| 12. Waterkraan | 24. Bijkomende wateraansluiting |

ALGEMENE VEILIGHEIDSVORSCHRIFTEN



LET OP! Lees alle veiligheidsvoorschriften en instructies. Wanneer de waarschuwingen en instructies niet in acht worden genomen, kan dit een elektrische schok, brand of ernstig letsel tot gevolg hebben.

Bewaar alle waarschuwingen en voorschriften voor toekomstig gebruik.

Het in de waarschuwingen gebruikte begrip „elektrisch gereedschap” heeft betrekking op elektrische gereedschappen voor gebruik op het stroomnet (met netsnoer) en op elektrische gereedschappen voor gebruik met een accu (zonder netsnoer).

1. WERKOMGEVING

- a. **Houd uw werkomgeving schoon en opgeruimd.** Een rommelige of onverlichte werkomgeving kan tot ongevallen leiden.
- b. **Werk met het gereedschap niet in een omgeving met explosiegevaar waarin zich brandbare vloeistoffen, gassen of stof bevinden.** Elektrische gereedschappen veroorzaken vonken die het stof of de dampen tot ontsteking kunnen brengen.
- c. **Houd kinderen en andere personen tijdens het gebruik van het elektrische gereedschap uit de buurt.** Wanneer u wordt afgeleid, kunt u de controle over het gereedschap verliezen.
- d. **Laat het elektrisch gereedschap niet lopen zonder toezicht.** Verlaat het elektrisch gereedschap pas wanneer het volledig tot stilstand gekomen is.

2. ELEKTRISCHE VEILIGHEID

- a. **De aansluitstekker van het gereedschap moet in het stopcontact passen. De stekker mag in geen geval worden veranderd. Gebruik geen adapterstekkers in combinatie met geaarde gereedschappen.** Onveranderde stekkers en passende stopcontacten beperken het risico van een elektrische schok.
- b. **Voorkom aanraking van het lichaam met geaarde oppervlakken, bijvoorbeeld van buizen, verwarmingen, fornuizen en koelkasten.** Er bestaat een verhoogd risico door een elektrische schok wanneer uw lichaam geaard is.
- c. **c) Houd het gereedschap uit de buurt van regen en vocht.** Het binnendringen van water in het elektrische gereedschap vergroot het risico van een elektrische schok.
- d. **Gebruik de kabel niet voor een verkeerd doel, om het gereedschap te dragen of op te hangen of om de stekker uit het stopcontact te trekken. Houd de kabel uit de buurt van hitte, olie, scherpe randen en bewegende gereedschapsdelen.** Beschadigde of in de war geraakte kabels vergroten het risico van een elektrische schok.
- e. **Wanneer u buitenshuis met elektrisch gereedschap werkt, dient u alleen verlengkabels te gebruiken die voor gebruik buitenshuis zijn goedgekeurd.** Het gebruik van een voor gebruik buitenshuis geschikte verlengkabel beperkt het risico van een elektrische schok.
- f. **Als het gebruik van het elektrische gereedschap in een vochtige omgeving onvermijdelijk is, dient u een aardlekschakelaar te gebruiken. Het gebruik van een aardlekschakelaar vermindert het risico van een elektrische schok.**

3. VEILIGHEID VAN PERSONEN

- a. **Wees alert, let goed op wat u doet en ga met verstand te werk bij het gebruik van het elektrische gereedschap. Gebruik het gereedschap niet wanneer u moe bent of onder invloed staat van drugs, alcohol of medicijnen.** Een moment van onoplettendheid bij het gebruik van het gereedschap kan tot ernstige verwondingen leiden.
- b. **Draag persoonlijke beschermende uitrusting en altijd een veiligheidsbril.** Het dragen van persoonlijke beschermende uitrusting zoals een stofmasker, slipvaste werkschoenen, een veiligheidshelm of gehoorbescherming, afhankelijk van de aard en het gebruik van het elektrische gereedschap, vermindert het risico van verwondingen.
- c. **Voorkom per ongeluk inschakelen. Controleer dat de schakelaar in de stand “UIT” staat voordat u de stekker in het stopcontact steekt.** Wanneer u bij het dragen van het gereedschap uw vinger aan de schakelaar hebt of wanneer u het gereedschap ingeschakeld op de stroomvoorziening aansluit, kan dit tot ongevallen leiden.
- d. **Verwijder instelgereedschappen of schroefslutels voordat u het gereedschap inschakelt.** Een instelgereedschap of sleutel in een draaiend deel van het gereedschap kan tot verwondingen leiden.
- e. **Overschat uzelf niet. Zorg ervoor dat u stevig staat en steeds in evenwicht blijft.** Daardoor kunt u het gereedschap in onverwachte situaties beter onder controle houden.
- f. **Draag geschikte kleding. Draag geen wijde kleding of sieraden. Houd u haren en kleding uit de buurt van bewegende delen.** Losse kleding, sieraden of lange haren kunnen worden gegrepen door bewegende delen.
- g. **Wanneer stofafzuigings- of stofopvangvoorzieningen kunnen worden gemonteerd, dient u zich ervan te verzekeren dat deze zijn aangesloten en juist worden gebruikt.** Het gebruik van deze voorzieningen beperkt het gevaar door stof.
- h. **Zorg ervoor dat u zich als gevolg van het veelvuldige gebruik van machines niet laat leiden door gewoontevorming en de essentiële veiligheidsprincipes van de machine veronachtzaamt.** Een onvoorzichtige handeling kan binnen een fractie van een seconde ernstig letsel tot gevolg hebben.

4. GEBRUIK EN ONDERHOUD VAN ELEKTRISCHE GEREEDSCHAPPEN

- a. **Overbelast het gereedschap niet. Gebruik voor uw werkzaamheden het daarvoor bestemde elektrische gereedschap.** Met het passende elektrische gereedschap werkt u beter en veiliger binnen het aangegeven capaciteitsbereik.
- b. **Gebruik geen elektrisch gereedschap waarvan de schakelaar defect is.** Elektrisch gereedschap dat niet meer kan worden in- of uitgeschakeld, is gevaarlijk en moet worden gerepareerd.
- c. **Trek de stekker uit het stopcontact voordat u het gereedschap instelt, toebehoren wisselt of het gereedschap weglegt.** Deze voorzorgsmaatregel voorkomt onbedoeld starten van het gereedschap.
- d. **Bewaar niet-gebruikte elektrische gereedschappen buiten bereik van kinderen. Laat het gereedschap niet gebruiken door personen die er niet mee vertrouwd zijn en deze aanwijzingen niet hebben gelezen.** Elektrische gereedschappen zijn gevaarlijk wanneer deze door onervaren personen worden gebruikt.
- e. **Verzorg het gereedschap zorgvuldig. Controleer of bewegende delen van het gereedschap correct functioneren en niet vastklemmen en of onderdelen zodanig gebroken of beschadigd zijn dat de werking van het gereedschap nadelig wordt beïnvloed. Laat beschadigde delen repareren voordat u het gereedschap gebruikt.** Veel ongevallen hebben hun oorzaak in slecht onderhouden elektrische gereedschappen.
- f. **Houd snijdende inzetgereedschappen scherp en schoon.** Zorgvuldig onderhouden snijdende

inzetgereedschappen met scherpe snijkanten klemmen minder snel vast en zijn gemakkelijker te geleiden.

- g. Gebruik elektrische gereedschappen, toebehoren, inzetgereedschappen en dergelijke volgens deze aanwijzingen en zoals voor dit speciale gereedschapstype voorgeschreven. Let daarbij op de arbeidsomstandigheden en de uit te voeren werkzaamheden.** Het gebruik van elektrische gereedschappen voor andere dan de voorziene toepassingen kan tot gevaarlijke situaties leiden.
- h. Zorg ervoor dat de handgrepen droog, schoon en vrij van olie en vet zijn.** Zijn de handgrepen glad, dan is het niet mogelijk het elektrogereedschap in onverwachte situaties veilig te bedienen en onder controle te houden.

6.SERVICE

- a. Laat het gereedschap alleen repareren door gekwalificeerd en vakkundig personeel en alleen met originele vervangingsonderdelen.** Daarmee wordt gewaarborgd dat de veiligheid van het gereedschap in stand blijft.
- b. Gebruik voor reparaties en onderhoud alleen originele onderdelen.** Het gebruik van accessoires of reserveonderdelen die hier niet voor bestemd zijn, kan leiden tot een elektrische schok of lichamelijk letsel.

Symbolen gebruikt in deze handleiding

Vvolt

Aampère

HZhertz

Wwatt

~wisselspanning

N₀onbelast toerental

min⁻¹ omwentelingen per minute



.....klasse II gereedschap



.....waarschuwing voor gevaar



.....Lees deze handleiding



.....Draag altijd oogbescherming



.....Draag altijd stofmasker



.....Draag altijd oorbescherming



.....Draag veiligheidshelm



.....DANGER! Keep hands away from cutting area and the blade.



Elektrische gereedschappen, toebehoren en verpakkingen moeten op een voor het milieu verantwoorde wijze worden hergebruikt. Gooi elektrische gereedschappen niet bij het huisvuil.

VEILIGHEIDSVOORSCHRIFTEN VOOR WERKEN MET DOORSLIJPSCHIJVEN

Veiligheidswaarschuwingen doorslijpschijven

- 1. De stofkap van de slijper moet stevig worden bevestigd aan het toestel en worden gepositioneerd voor een maximale veiligheid van de gebruiker, zodat een minimum omtrek van de zaag wordt blootgesteld in de van de gebruiker.** Positioneer jezelf en omstaanders uit de buurt van de draaiende zaag. De stofkap beschermt de gebruiker tegen afbrekende delen en toevallig contact met de zaag.
- 2. Gebruik alleen diamantzagen met deze doorslijpschijf.** Het is niet omdat een accessoire kan gemonteerd worden op de machine dat het een veilige werking garandeert.
- 3. Het nominale toerental aangegeven op de zaag moet ten minste gelijk zijn aan de maximumsnelheid aangegeven op het elektrisch gereedschap.** Een accessoire sneller laten draaien dan de nominale snelheid er op aangegeven kan breken of uiteenspatten.
- 4. Zagen mogen alleen worden gebruikt voor de aanbevolen toepassingen.** Bijvoorbeeld: niet slijpen met de zijkant van de zaag, schuurbewerkingen met de zijkant van de zaag of krachten toegepast op de zijkant van de zaag kunnen ervoor zorgen dat ze breken.
- 5. Gebruik altijd onbeschadigde wielflenzen met de juiste diameter voor gebruikte zaag.** Juiste wielflenzen ondersteunen de zaag, verminderen dus de kans op breuk.
- 6. De omtrek diameter en de dikte van de zaag moet geschikt zijn voor het nominaal vermogen van uw elektrisch gereedschap.** Onaangepaste zagen kunnen onvoldoende bescherming bieden.
- 7. Het asgat van de zagen alsook de flenzen moeten perfect passen op de as van het elektrisch gereedschap.** Een onaangepast asgat of onaangepaste flenzen kunnen de zaag doen slingeren, overmatig doen vibreren of controleverlies over het toestel veroorzaken.
- 8. Gebruik geen beschadigde zagen. Controleer voor elk gebruik de zagen op bramen en scheurtjes. Als het toestel of de zaag gevallen is, gelieve te controleren op schade of monteer een onbeschadigde zaag. Na inspectie en het montage van de zaag, positioneer u zelf en omstaanders weg van de draaiende zaag en laat de zaag gedurende één minuut onbelast draaien.** Beschadigde zagen zullen normaal onvolmaaktheden vertonen gedurende deze test.
- 9. Draag persoonlijke beschermingsmiddelen. Afhankelijk van de toepassing, gebruik gezichtsbescherming, een veiligheidsbril of veiligheidsmasker. Indien nodig draag stofmasker, gehoorbeschermers, handschoenen en beschermende stofjas om wegspringende deeltjes tegen te houden.** De oogbescherming moet genoeg beschermen om wegvliegende deeltjes tegen te houden. Het stofmasker of ademhalingsapparaat moet in staat zijn het vrijgekomen stof te filteren. Langdurige blootstelling aan een hoge intensiteit geruis kan leiden tot gehoorbeschadiging.
- 10. Houd omstaanders op veilige afstand van het werkgebied.** Iedereen die zich binnen het werkgebied bevindt moeten persoonlijke beschermingsmiddelen te dragen. Materiaaldeeltjes of delen van een gebroken zaag kunnen wegvliegen en verwondingen veroorzaken buiten onmiddellijke omgeving van het zagen.
- 11. Houd het elektrisch gereedschap enkel vast bij de geïsoleerde handgrepen, bij het zagen waarbij de zaag verborgen bedrading of zijn eigen snoer kan doorzagen.** Bij een zaag die een elektrische draad raakt kunnen de metalen delen de stroom geleiden en de gebruiker een elektrische shock geven. Plaats het snoer uit de buurt van een draaiende zaag. Als je de controle over het toestel verliest, kan het snoer worden doorgesneden of uw hand of arm in de richting van de draaiende zaag trekken.
- 12. Leg het elektrisch toestel nooit neer voordat de zaag volledig tot stilstand is gekomen.** De draaiende zaag kan ongewenst materiaal raken zodat de controle over het toestel verliest.
- 13. Laat het toestel niet draaien terwijl u het draagt aan uw zijde.** Toevallig contact met de draaiende zaag kan deze in uw kleding blijven haken en de zaag in uw lichaam laten snijden.
- 14. Reinig regelmatig de ventilatieopeningen van de machine,** de ventilator van de motor kan metaalstof

aanzuigen in de motorbehuizing een accumulatie van metaalstof kan elektrisch gevaar opleveren.

- 15. Werk niet het elektrische gereedschap in de buurt van brandbare materialen. Vonken kunnen deze materialen laten ontbranden.**

Veiligheidswaarschuwingen doorslijpschijven- Terugslag en aanverwante waarschuwingen

Terugslag is een plotselinge reactie die optreedt bij een gekneld of vastgelopen zaag. Knellen of vastlopen veroorzaakt een snelle blokkering van de zaag die op zijn beurt zorgt de machine ongecontroleerd in de tegenovergestelde richting een kracht uitvoert..

Als er bijvoorbeeld een zaag gekneld raakt of vastloopt in het materiaal, zal het in contact zijnde deel van de zaag dieper in het materiaal proberen te zagen waardoor de zaag mogelijks in de richting van de gebruiker omhoog springt. Afhankelijk van de richting van het klemmen van de zaag kan de zaag mogelijks ook breken.

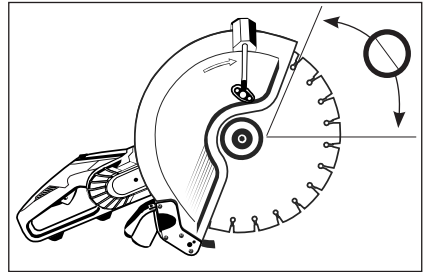
Terugslag is het gevolg verkeerd gebruik en / of onjuiste werkprocedures van elektrisch gereedschap. Dit kan worden voorkomen door het nemen van de juiste voorzorgsmaatregelen, zoals hieronder gegeven.

- 1. Houdt een stevige greep op het elektrische gereedschap en plaats uw lichaam en arm, zodat u aan een terugslag kan weerstaan. Gebruik altijd de extra handgreep, indien aanwezig, voor maximale controle over terugslag of startkoppel tijdens het starten.** De gebruiker terugslag of startkoppel onder controle houden, als de juiste voorzorgsmaatregelen worden genomen.
- 2. Plaats nooit uw hand in de buurt van het zaag. De zaag kan terugslaan op uw hand.**
- 3. Houdt uw lichaam niet in lijn met de draaiende zaag.** Terugslag zal de zaag in uw richting stuwen door de tegengesteld beweging van de zaag.
- 4. Wees extra voorzichtig bij het werken aan hoeken, scherpe randen enz. Vermijd stuiten van de zaag.** Hoeken, scherpe randen of stuiten kunnen de oorzaak zijn van klemmen waardoor de zaag kan terugslaan.
- 5. Bevestig geen een kettingzaag, houtzaag, diamantzaag met segmenten dikker dan 10 mm of getand zaagblad.** Dergelijke zagen leiden vaak tot terugslag en verlies van controle.
- 6. Probeer de zaag niet te blokkeren door overmatige druk. Probeer niet om een diepe snede in één keer te maken.** Overbelasting van de zaag verhoogt het risico tot blokkeren en de mogelijkheid van een terugslag of zaagbreuk.
- 7. Wanneer om welke reden dan ook de zaag vastloopt, schakelt u de machine uit en houdt de machine bewegingsloos vast totdat de zaag volledig tot stilstand is gekomen. Probeer nooit de zaag uit de zaagsnede te verwijderen terwijl de zaag in beweging is, anders kan terugslag kan optreden.** Onderzoek de reden en neem corrigerende maatregelen om de oorzaak van het vastlopen te elimineren.
- 8. Begin niet onmiddellijk opnieuw te zagen in het materiaal.** Laat eerst de zaag onmiddellijk op volle snelheid draaien en nader daarna voorzichtig opnieuw het materiaal en kijk of de zaag niet opnieuw vastloopt wat terugslag zou kunnen genereren.
- 9. Ondersteun of leg het materiaal vast om risico op terugslag te minimaliseren. Grote werkstukken kunnen breken door hun eigen gewicht.** Houders moeten onder het materiaal geplaatst worden of aan beide zijden van de zaag nabij de snijlijn of de rand van het te zagen materiaal.
- 10. Wees extra voorzichtig bij het maken van blinde gaten in bestaande muren of andere oppervlaktes.** De zag kan tijdens het zagen, gas of waterleidingen, elektrische bedrading of voorwerpen raken die terugslag kan veroorzaken.

DOORSLIJPSCHIJVEN-VEILIGHEIDSWAARSCHUWINGEN - Aanvullende veiligheidsvoorschriften

WAARSCHUWING: Vermijd het zagen met het bovenste kwadrant van de zaag, vooral bij het inzetten. Er is een groot risico tot terugslag.

WAARSCHUWING: Bij het snijden van kunststoffen, laat de kunststof niet smelten. Als kunststof smelt kan het aan de zaag kleven, wat leidt tot terugslag.

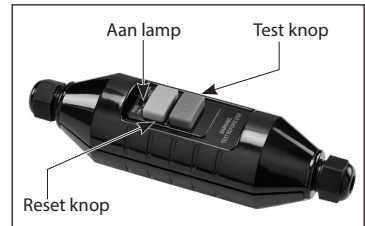


ELEKTRISCHE AANSLUITING

De spanning van het netwerk moet overeenkomen met de spanning op het naamplaatje van de boormotor. In geen geval mag de boormotor worden gebruikt wanneer de voedingskabel is beschadigd. Een beschadigde kabel moet onmiddellijk worden vervangen door een door AGP erkende reparateur. Probeer niet om de beschadigde kabel zelf te repareren. Het gebruik van beschadigde stroomkabels kan leiden tot een elektrische schok.

WAARSCHUWING: Gebruik nooit een beschadigde machine. Label de beschadigde machine en neem ze uit dienst tot de reparatie uitgevoerd is.

LET OP: Deze machines zijn uitgerust met een draagbare aardlekschakelaar (PRCD). Gebruik altijd deze aardlekschakelaar wanneer u het apparaat gebruikt om het risico van elektrische schokken te beperken. positioneer de PRCD altijd zo dicht mogelijk bij de stroombron. Test en reset de PRCD voor elk gebruik. Druk op de knop "Test" om te testen. Druk op de "Reset" knop om de machine te activeren



Opmerking: PRCD (aardlekschakelaar) uitvoering is afhankelijk van de vereisten van diverse regio's. Afbeelding ter informatie

INLEIDING

Deze machine is uitgerust met twee handgrepen en een beschermkap. De motor heeft overbelasting en oververhitting bescherming. De machine heeft een geïntegreerd watertoevoersysteem zoals vereist voor het slijpen met diamanten en heeft ook een draagbare aardlekschakelaar (PRCD) voor elektrische veiligheid. Het toestel mag alleen worden gebruikt met een diamantzaag. Het is bedoeld voor het zagen van metselwerk, steen, beton, gewapend beton en soortgelijke materialen. Alle ander gebruik is verboden.

INHOUDSOPGAVE

- Doorslijpzaagmachine
- Geleidingskit op wielen
- M17 sleutel
- Spatwaterkap
- vlakzaagkit (enkel model C16)

MONTAGE

- Monteer de zaag. (Zie hieronder "Montage van de zaag")
- Monteer de geleidingssysteem indien gewenst (Zie hieronder " geleidingssysteem ")
- Monteer de beschermkapborstel (Zie hieronder " beschermkapborstel ")
- Monteer het spatscherm (Zie hieronder " spatscherm ")

DIAMANTZAGEN

Toegestane soorten zagen

Deze machine mag alleen gebruik maken van diamantzagen en slijpschijven

- Gebruik alleen ofwel gesegmenteerde of doorlopende band diamantzagen.
- Als de diamantzagen gesegmenteerd, zijn, is de maximaal toegestane perifere kloof tussen de segmenten 10mm met een negatieve spaanhoek.
- Enkel diamantzagen van 405 mm (16 ") of minder gebruiken.
- Segmentdikte moet minimaal 2,4 mm en maximaal dan 6,35 mm zijn.

Diamantzaag opslag en transport

Berg de machine niet weg met de zaag erop gemonteerd. Verwijder de zaag en bewaar die zodanig dat zij beschermd is tegen vervormen of beschadiging.

Een beschadigde zaag kan onbalans veroorzaken, deze onbalans kan leiden tot gevaar.

Controleer altijd nieuwe zagen op opslag of transportschade

DIAMANTZAGEN

Diamantzagen bestaan uit een stalen blad met diamant segmenten toegevoegd aan de omtrek.

Diamantzaagbladen zijn beschikbaar voor verschillende hardheden van metselwerk, steen, beton, gewapend beton, etc.

Sommige diamantbladen zijn ontworpen om alleen nat gebruikt te worden, terwijl andere zijn ontworpen om droog te worden gebruikt. Zie de instructies van de fabrikant.

In het algemeen, zelfs als de zaag wordt aanbevolen voor droog gebruik, is het altijd beter als ze nat gebruikt worden, droog zagen moet worden beperkt tot situaties waarin water niet kan of niet mag gebruikt worden.

Water zal de zaag behoeden tegen oververhitting, de hoeveelheid schadelijke stof gemaakt tijdens het zagen sterk verminderen, het vrijgekomen zaagmelk afvoeren, en de levensduur van de zaag verlengen. Droogzagen van zeer harde materialen zoals graniet of gewapend beton leidt tot snelle slijtage en mogelijke schade van gereedschap. De diamant bevattende segmenten werken op een principe van gecontroleerde erosie. De binding houdt de diamanten voortdurend scherp door het slijpen in het materiaal. Zagen ontworpen voor het zagen van hardere zal materialen hebben een zachtere binding, zodat de binding gelijkmatig slijt met de diamanten. Zagen voor abrasieve materialen zullen een hardere binding hebben, waardoor de metaalbinding beter weerstaat aan de schurende werking van het materiaal. Wanneer de binding te traag slijt zal de zaag worden. Dit heet polijsten. Als de zaag weigert om meer snijden, is ze gepolijst. **Zie hieronder: "Het opscherpen van een gepolijste zaag"**

Gebruik nooit een bruuske beweging of de zaag zal beschadigd worden. Ook, niet te zacht te drukken of de segmenten zullen polijsten. Houdt de zaag onder constante druk.

Besteden veel aandacht om de zaag loodrecht op het materiaal te houden. Als de zaag schuin gehouden wordt zal deze gemakkelijk klemmen. Bij het zagen van gewapend beton, neem speciale zorg wanneer het betonstaal doorgezaagd wordt.

Verminder de toevoerdruk met ongeveer 1/3 en laat de zaag in zijn eigen tempo gaan, bij te veel vibratie zal de zaag beschadigd worden. Zodra het staal doorgezaagd is, neem weer de normale druk aan.

LET OP: Gebruik nooit een natzagen zonder water. Deze zal oververhit raken en beschadigd worden.

LET OP: Bij gebruik van droogzagen, laat ze niet oververhit raken. Het beste is om niet langer dan ongeveer 60 seconden te zagen en daarna de machine 10 seconden te laten vrij draaien om de zaag en het toestel af te koelen.

Monteer altijd de pijl op de zaag met in overeenkomen met de draairichting van de machine (A richting van de pijl wordt aangegeven op de beschermkap).

WAARSCHUWING: Gebruik de zagen nooit voor het zagen van een ander materiaal dan het materiaal dan waarvoor ze bestemd zijn.

OPSCHERPEN VAN EEN GEPOLIJSTE ZAAG

Een diamantzaag kan polijsten (bot worden). Zodra de diamantsegmenten gepolijst zijn, zullen de prestaties van de zaag verminderen en de segmenten zullen oververhit raken. Om de zaag op te scherpen, verminder de watertoevoer en maak een paar sneden in een zeer zacht schurend materiaal zoals een steen met aluminiumoxide of siliciumcarbide.

MONTAGE VAN DE ZAAG

Trek de stekker van de machine uit het stopcontact.

Gebruik daarna de 17mm combinatiesleutel, zet deze op de asbout en draai terwijl U de as-blokkeerknop ingehouden houdt tot die in het slot springt. Draai dan door tot de buitenflens los komt en kan verwijderd worden. De binnen flens van deze machine 1 "(25,4 mm). Controleer als de diameter van de binnen flens overeenkomt met de boring van de zaag. Inspecteer de zaag voor gebruik op scheurtjes, vervorming of beschadiging dewelke een gevaar vormen voor een veilige werking. Losse diamantsegmenten kunnen met hoge snelheid worden weggeslingerd, waardoor gevaar voor mogelijke kwetsuren. Controleer of er geen undercut voordoet bij de diamant segmenten. Als de dikte van de diamant segmenten dunner of gelijk zij dan deze van het blad, zal deze klemmen in de zaagsnede en leiden tot terugslag.

Zorg ervoor dat de flenzen en de boring van de zaag proper en onbeschadigd zijn en dat alles goed past. De flenzen mogen niet gebruikt worden wanneer ze verwrongen zijn, een oneffen oppervlak hebben, bramen hebben of als ze zijn vuil. De blokkeerbout en blokkeerknop moeten onbeschadigd zijn. Inspecteer de zagen voor op segment schade, boorgat schade of enige andere schade die een gevaarlijke werking kunnen veroorzaken. De uitstekende rand van de binnenste flens moet in de richting van de zaag. Monteer vervolgens de zaag op de binnenste flens en voeg de buitenflens toe. Monteer de blokkeerbout en draai aan met 15-25 Nm.

WAARSCHUWING: Probeer niet om een zaag die niet overeenkomt met de montage elementen te monteren. Dit zal leiden tot excentrisch draaien en trillingen veroorzaken die oncontroleerbaar zijn.

De zaag draait rechtsonder gezien vanaf de as einde, daarom vliegt het snijafval, vonken en zaagmelk naar achteren. Stel daarom de achterrand van de beschermkap gelijk met het werkstuk.

INSTELLEN

Trek eerst de vergrendelingshendel tegen de veerkracht en draai de beschermkap naar de gewenste positie. Laat de vergrendelingshendel aangrijpen in de gekozen sleuf en laat los om het te vergrendelen.



STOFKAPBORSTEL

Er is een verwijderbare borstel aan de achterzijde van de stofkap om vonken, stof, vuil en zaagmelk tegen te houden. Om te installeren: druk gewoon op de borstel in de sleuf aan de onderkant van de stofkap beugel totdat deze vastklikt. Deze borstel kan recht worden uitgetrokken om te vervangen na slijtage.

SPATWATERKAP

De geveerde spatbescherming is nuttig om te zaagmelk die achteruitspat tegen te houden. Om te installeren, klem gewoon op zijn plaats aan de achterkant van de stofkap. Om te verwijderen, kantel omhoog tot en druk op de kap tot hij los springt. Als het spatscherm niet nodig is, zoals bij droogzagen, kan deze naar boven gezet worden. Gewoon Aangrijpen op de mannelijke clip op de klep met de vrouwelijke clip op de berg. Trek uit de clips om vrij te geven.

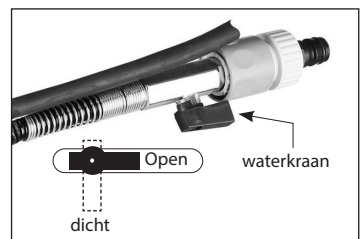
WATERAANSLUITING

Water is een basisvoorwaarde voor diamant natzagen. Het water dient als koelmiddel om te voorkomen dat de diamant in de segmenten verbrand. Water houdt ook het stof weg en spoelt de zaagmelk weg.

WAARSCHUWING: Gebruik altijd de PRCD (aardlekschakelaar) wanneer water gebruikt wordt.

WAARSCHUWING: Laat nooit water in de motor in te binnendringen . Dit kan tot elektrocutie leiden.

WAARSCHUWING: Controleer alle aansluitingen van de watertoevoer om ervoor te zorgen dat er geen lekken zijn. Inspecteer slangen en aansluitingen.



LET OP: De maximale druk van het water mag niet meer dan 70 psi (4 bar).

Gebruik een water collector met een waterzuiger om te verhinderen dat objecten in de omgeving beschadigd worden door spattend koelwater. De machine heeft een ingebouwde watertoevoer. Om een connectie met de watervoorziening, Monteer de snelkoppeling voor het water op de slang. Sluit vervolgens de waterkoppeling aan op de mannelijke watertoevoer afsluiter. Druk erop totdat deze vastklikt.

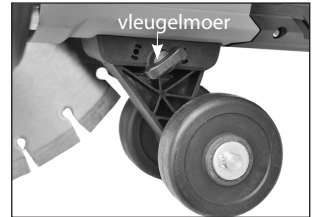
Het debiet wordt geregeld door het waterkraan die de vereiste hoeveelheid water toevoert.

LET OP: Vervuiling in de watertoevoer kan de sproeikoppen in de beschermkap verstoppen.

Zorg ervoor dat het toevoerwater proper is. Als u ondervindt dat er geen of onvoldoende water stroomt naar het blad, maak dan de watertoevoer op de machineschoon.

GELEIDINGSROLLEN

De geleidingsrollen maken het gemakkelijker om de zaag loodrecht op het materiaal te houden. Om te installeren: draai de vleugelmoer lichtjes los en schuif de vier klauwen in de vier oogjes aan de onderzijde van het motorhuis, draai de vleugelmoer vast



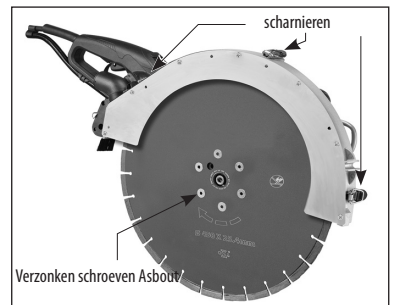
RICHTLIJNEN VOOR VLAKZAAGKIT

INLEIDING

Met deze kit kunt u een vlakzaag (blad niet inbegrepen) monteren op de machine waardoor u vlak kunt zagen terwijl de buitenste bladafdekking tijdelijk verwijderd is.

ONDERDELENLIJST

1. Vlakzaagflens
2. Cilinderkop asbout & ring
3. Cilinderkopschroeven met platte klopp x 6
4. M5 L-zeskantsleutel
5. M8 L-zeskantsleutel
6. Afdekking vlakzaagblad & schroeven met platte klopp x 7



MONTAGE

Om de vlakzaagkit aan te brengen, moet u eerst de standaard asbout, flenzen en het blad verwijderen zoals uitgelegd in de instructiehandleiding.

1. Verwijder de slang van de wateraansluiting op de buitenste bladafdekking en sluit deze aan op de alternatieve wateraansluiting van de binnenste bladafdekking.
2. Verwijder het spatscherm en de 7 schroeven die de buitenste bladafdekking bevestigen.
3. Zet de 3 tuimelgrendels open en steek de losse grendels in de plastic clips om gekletter te voorkomen.
4. Verwijder de buitenste bladafdekking en berg deze veilig op.
5. Monteer de vlakzaagflens op de spil en bevestig deze met de ring en cilinderkop asbout. Blokkeer de as stevig met de asbout d.m.v. een M8 L-zeskantsleutel.



WAARSCHUWING: Gebruik geen afstandsstukken of flenzen onder de vlakzaagflens!

6. Monteer het vlakzaagblad op de flens. Breng de gaten op één lijn en breng de cilinderkopschroeven met platte klopp aan. Zet de schroeven gelijkmatig en kruiselings vast met de M5 L-zeskantsleutel.

7. Monteer de afdekking voor het vlakzaagblad en bevestig dit met de 7 schroeven met platte klop.

WAARSCHUWING: Gebruik de machine niet zonder de afdekking voor het vlakzaagblad.

8. Wanneer het vlakzagen afgerond is, moet u de zaag onmiddellijk omvormen naar de standaard zaagconfiguratie.

OPMERKING: Er is ongeveer 1 mm of minder effectieve speling (afhankelijk van de dikte van de diamantsegmenten).

Aangezien de bladafdekking enigszins flexibel is, kunt u door lichtjes te duwen volledig vlak zagen. Bij het eigenlijke zagen werkt u volledig vlak. Er moet een kleine speling zijn zodat het blad geen schuursporen nalaat op de ondergrond wanneer dit belangrijk is. Om schuursporen te vermijden, mag u niet naar beneden duwen. Om volledig vlak te zagen moet u echter wel een beetje naar beneden duwen.

WAARSCHUWING: Steeds werken met de buitenste bladafdekking aanwezig tijdens standaard zaagbewerkingen. Werk nooit zonder de buitenste bladafdekking, behalve bij vlakke zaagbewerkingen.

WAARSCHUWING: Controleer regelmatig dat de schroeven en asbout goed aangespannen zijn.

WAARSCHUWING: Wanneer u tijdens het gebruik ongewone trillingen voelt, moet u onmiddellijk stoppen met werken en de oorzaak zoeken vooraleer verder te gaan.

OVERBELASTINGSBEVEILIGING, BESCHERMING TEGEN OVERVERHITTING

Overbelastings-LED & overbelasting waarschuwing

Wanneer de motor overbelast wordt, zal de waarschuwingslamp rood knipperen. Wanneer de overbelasting aangehouden wordt zal de motor automatisch uitschakelen en de waarschuwingslamp zal blijvend rood aangeven. In dit geval moet de motor eerst uitgeschakeld worden en vervolgens terug gestart.

WAARSCHUWING : Als er een ongebruikelijke trillingen gevoeld worden, onmiddellijk stoppen en de oorzaak vinden alvorens verder te gaan.



Oververhitting bescherming

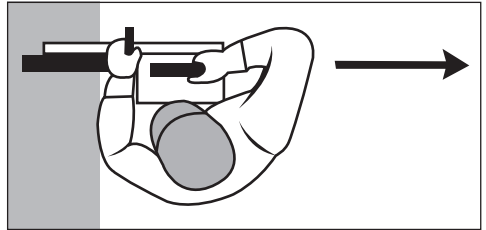
Als de temperatuur van de motor te hoog wordt, zal de thermische beveiliging de motor uitschakelen. De schakelaar moet eerst worden uitgezet en vervolgens opnieuw gestart. Wanneer dit gebeurt, niet onmiddellijk terug beginnen zagen. Laat de machine altijd voor een paar minuten onbelast draaien om terug te keren naar een normale bedrijfstemperatuur.

LET OP: De motor zal worden beschadigd wanneer deze herhaaldelijk overbelast of oververhit wordt. de motor altijd een paar minuten onbelast laten draaien, wanneer hij uitgeschakeld werd door oververhitting of overbelasting.

GEBRUIK

Hoe de machine vast houden

- Houdt de machine altijd met beide handen vast, met de rechterhand op de achter handvat en met de linkerhand op de zij handgreep. (Dit geldt ook voor linkshandigen)
- Sta nooit rechtstreeks in de lijn met de zaag. Sta zodanige wijze dat u bij terugslag niet in aanraking kan komen met de zaag.
- Leun nooit over de zaag. Zodat je bij terugslag niet in aanraking kan komen met de zaag.
- Niet boven schouderhoogte te zagen.
- Zaag nooit terwijl u op een ladder of ander onstabiel platform staat.

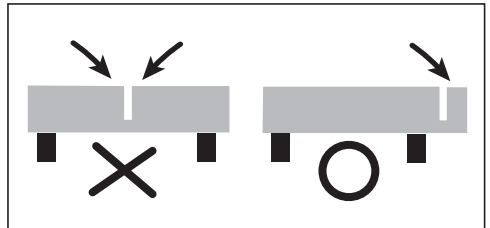


Voor Het Zagen

- Controleer de zone waar gezaagd moet worden vrij is van voorwerpen waarover gestruikeld kan worden.
- Voor het zagen, is het soms nuttig om de snijlijn met krijt of dergelijke te markeren.
- Voor rechte sneden, is een houten plank soms nuttig om de machine te leiden.
- Zorg ervoor dat alle omstaanders op een veilige afstand staan.
- Zorg ervoor dat alle veiligheidsvoorzieningen genomen zijn.

Een goede ondersteuning van het te zagen materiaal is nodig

- ondersteunen het materiaal zodanig dat de zaagsnede de zaag niet kan klemmen.
- Plaats het materiaal, zodat het niet kan rollen ,weggliden of zich verplaatsen door de trillingen tijdens het zagen
- De zaag-volgorde is van belang bij het maken van uitsparingen. Zorg er altijd voor dat de laatste zaagsnede voorkomt dat de zaag gekneld wordt. Eerst de onderste horizontale zaagsnede, daarna de zijkanten en uiteindelijk de bovenste horizontale zaagsnede.
- Schat het gewicht van het materiaal in dat zal vallen wanneer het wordt doorgezaagd.
- Wanneer er een situatie waarin het doorzagen van het materiaal een gevaarlijke situatie kan veroorzaken zich voordoet , laat een stuk van het materiaal intact en breek het af met een beitel of iets dergelijks.



ZAAGTECHNIEK

Houd de machine met beide handen aan de start koppel te kunnen weerstaan, druk de schakelaar in en vergrendel met de blokkeerknop.

Laat de machine de volle snelheid bereiken voordat u begint te zagen.

Stel de watertoevoer in indien nodig door het openen van de waterkraan.

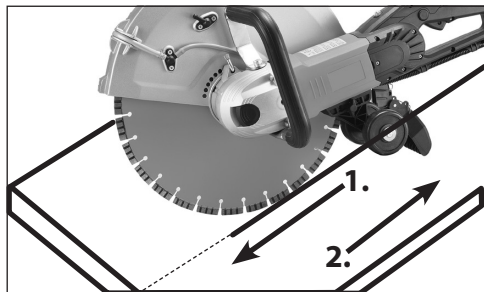
Daarna voorzichtig inzetten met het achterste gedeelte van de zaag totdat de zaagsnede zichtbaar wordt. Maak de eerste zaagsnede in voorwaartse richting (zodat je de lijn van de snede kan zien).

Maak dan volgende zaagsneden in de achterwaartse richting.

Probeer niet te diep te snijden in één keer. Nooit meer dan ongeveer 50 mm (2 ") per pas.

Het is goed om eerst een ondiepe geleidingsgroef te zagen alvorens op volle diepte te zagen. Als een correctie nodig is, til de zaag op en zaag lichtjes heen en weer in de bestaande zaagsnede. Vermijdt dat de zaag gekneld wordt. In ronde werkstukken, is de

beste techniek om een langzaam en gelijkmatige heen en weer te bewegen tijdens het zagen met de onderste kwadrant van de zaag. Voorkom dat de machine vastloopt. Beperk de druk om de zaag zodat deze een hoge snelheid houdt. Nooit zijdelingse belasting op de zaag uitvoeren. Beton zagen is zeer belastend voor de motor. Na het zagen, is het een goede gewoonte om de machine voor een korte tijd onbelast te laten draaien om de motor af te koelen.



STOPPEN

Laat de schakelaar los om de machine te stoppen. Nadat de trekker is losgelaten, zal de zaag gedurende een tijd blijven draaien.

WAARSCHUWING: de machine niet naar beneden houden tot dat de zaag stil staat.

Let op: Zorg er altijd voor dat de de stofzak van stofzuiger niet te vol is. Een overvolle stofzak zal de efficiëntie stofrecuperatie verhinderen.

ONDERHOUD EN REINIGING

Deze machine werkt in een zeer vuile omstandigheden. De koelmelk gemaakt door natzagen en het stof gemaakt door droogzagen wordt meegezogen in koelopeningen van de motor en komt in de motor. Het slijpsel van baksteen en beton bevat zouten en andere bijtende stoffen die de levensduur van de motor zullen beperken of storingen en kortsluiting kunnen veroorzaken. Daarom is het essentieel voor de lange levensduur van het gereedschap dat deze grondig gereinigd wordt na elk gebruik. Het is aangeraden perslucht te blazen door koelopeningen aan de achterzijde de machine terwijl de motor draait.

Dagelijks onderhoud

- Houd de machine schoon
- Controleer of de voedingskabel is in goede staat.
- Zorg ervoor dat alle schroeven goed vast zitten.
- Controleer de staat van alle veiligheidsvoorzieningen, zoals de beschermkap
- Controleer de zaag op beschadiging.

Koolborstels

De koolborstels onderdelen die aan slijtage onderworpen zijn en moeten worden vervangen wanneer zij hun slijtagelimiet bereikt hebben. Deze machine is uitgerust met auto-stop koolborstels. Als de machine onverwacht tot stilstand komt moeten de koolborstels worden gecontroleerd. De auto-stop koolborstels beschermen de motor door het stoppen van de machine voordat de koolborstels volledig versleten zijn.

Let op: Vervang de koolborstels als een paar.

Vervangen van de koolborstels:

1. Verwijder de schroef en verwijder de borsteldeksels.
2. Maak de elektrische klem los met behulp van een dunne tang.
3. Draai de schroef los om de borstelgeleider te verwijderen. De oude koolborstel kan nu uit de houder worden uitgeschoven.
4. Plaats de een nieuwe koolborstels in omgekeerde volgorde.
5. Plaats het kap terug in omgekeerde volgorde. Zorg ervoor dat u de bedrading niet beschadigt.



WAARSCHUWING: Als het vervanging van de voedingskabel nodig is, moet worden uitgevoerd bij een erkend Service Center om de veiligheid in gevaar te voorkomen.

AFVALVERWIJDERING

Elektrische gereedschappen, toebehoren en verpakkingen moeten op een voor het milieu verantwoorde wijze worden hergebruikt. Gooi elektrische gereedschappen niet bij het huisvuil. Volgens de Europese richtlijn 2012/19/EU betreffende elektrische en elektronische oude apparaten en de omzetting van de richtlijn in nationaal recht moeten niet meer bruikbare elektrische gereedschappen apart worden ingezameld en op een voor het milieu verantwoorde wijze worden hergebruikt.

Geluid- en trillingsinformatie

Gemeten volgens EN 60745-2-22

Modelnr. : C16

Geluidsniveau:	Geluidsdruk niveau(L_{pA}): 105,0 dB (A)	
	Geluidsvermogensniveau(L_{wA}): 116,0 dB (A)	K = 3,0 dB (A)
Trillingsniveau:	a_h : 3,9 m / s ²	K = 1,5 m / s ²

Het in deze gebruiksaanwijzing vermelde trillingsniveau is gemeten met een volgens EN 60745-2-22 genormeerde meetmethode en kan worden gebruikt om elektrische gereedschappen met elkaar te vergelijken. Het is ook geschikt voor een voorlopige inschatting van de trillingsbelasting.

Het aangegeven trillingsniveau representeert de voornaamste toepassingen van het elektrische gereedschap. Als echter het elektrische gereedschap wordt gebruikt voor andere toepassingen, met verschillende accessoires, met afwijkende inzetgereedschappen of onvoldoende onderhoud, kan het trillingsniveau afwijken. Dit kan de trillingsbelasting gedurende de gehele arbeidsperiode duidelijk verhogen.

Voor een nauwkeurige schatting van de trillingsbelasting moet ook rekening worden gehouden met de tijd waarin het gereedschap uitgeschakeld is, of waarin het gereedschap wel loopt, maar niet werkelijk wordt gebruikt. Dit kan de trillingsbelasting gedurende de gehele arbeidsperiode duidelijk verminderen.

Leg aanvullende veiligheidsmaatregelen ter bescherming van de bediener tegen het effect van trillingen vast, zoals: Onderhoud van elektrische gereedschappen en inzetgereedschappen, warm houden van de handen, organisatie van het arbeidsproces.

CE Conformiteitsverklaring

We verklaren op onze verantwoordelijkheid dat het onder „Technische gegevens” beschreven product aan alle desbetreffende bepalingen van de richtlijnen EN 60745-1: 2009 + A11: 2010 & EN 60745-2-22: 2011 + A11: 2013, EN 61000, EN 55014 met de volgende normen overeenstemt 2006/42/EC, 2014/30/EU, 2011/65/EU

•Technical file at: LEE YEONG INDUSTRIAL CO., LTD., NO.2, KEJIA RD., DOULIU CITY, YUNLIN COUNTY 64057, TAIWAN •Technical file at: LEE YEONG INDUSTRIAL CO., LTD., NO.2, KEJIA RD., DOULIU CITY, YUNLIN COUNTY 64057, TAIWAN

You-Chun, Liu
Operation & Engineering

You chun Liu

Chih-Hao, Lai
Approval Manager

chih hao lai

LEE YEONG INDUSTRIAL CO., LTD.,
NO.2, KEJIA RD., DOULIU CITY, YUNLIN COUNTY 64057, TAIWAN 12.30.2016

LEE YEONG INDUSTRIAL CO., LTD.

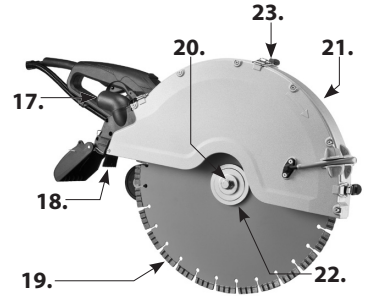
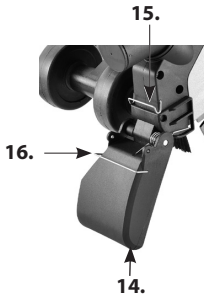
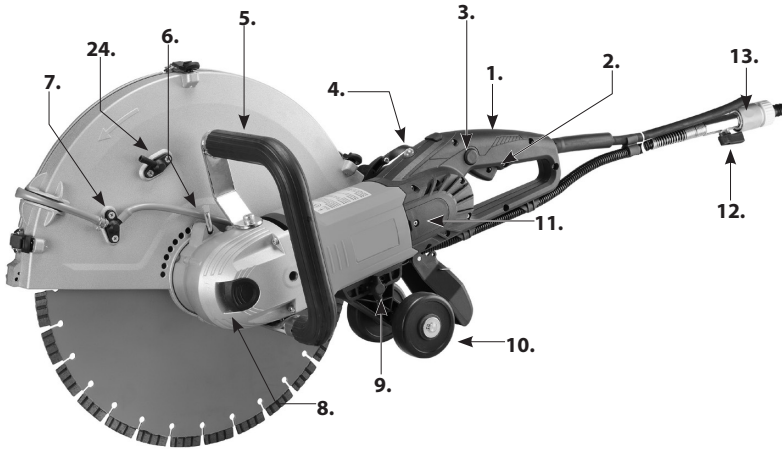
NO.2, KEJIA RD., DOULIU CITY,
YUNLIN COUNTY 64057, TAIWAN

TEL: 886-5-5518689 (REP)

Fax: 886-5-5518635

SPECIFIKATIONER

Model	C16
Strømindgang	230V: 2700W (3200W faktisk), 115V: 2300W (3000W faktisk)
Spænding	220-240V~50/60Hz, 110-120V~50/60Hz (Se maskinens typeskilt)
Nominel hastighed	n=3900 min ⁻¹
Klangediameter	405mm (16")
Aksel	25,4mm (1")
Maks. skæredybde	150mm (6")
Vægt	9,6 kg (21,1 Lbs) (10 kg (22,2 Lbs) med styreruller)



- 1. Hovedhåndtag
- 2. Startkontakt
- 3. Udløserknap
- 4. Overbelastningslampe
- 5. Sidehåndtag
- 6. Klingeafskærmningslåsehåndtag
- 7. Vandtilførselsdyse
- 8. Aksel låseknop
- 9. Sommerfuglebolt
- 10. Styrerullemontering
- 11. Kuldæksel
- 12. Vandtilførselsventil
- 13. Vandtilslutning
- 14. Stænkskærm
- 15. Hunklemme
- 16. Hanklemme
- 17. Støvsugerudtag
- 18. Klingebeskyttelsesbørste
- 19. Diamantklinge
- 20. Akselbolt
- 21. Klingskærm
- 22. Ydre flange
- 23. Skift låse
- 24. Alternativ vanddyse

Generelle sikkerhedsregler



ADVARSEL! Læs alle sikkerhedsadvarsler og alle instruktioner. Manglende overholdelse af advarsler og instruktioner kan medføre elektrisk stød, brand og/eller alvorlig skade.

Gem alle advarsler og instruktioner til fremtidig reference.

Udtrykket "elværktøj" i advarslerne henviser til dit lysnetdrevne (med ledning) elværktøj eller batteridrevne (ledningsfri) elværktøj.

1. SIKKERHED PÅ ARBEJDSPLADSEN

- a. **Hold arbejdsområdet rent og godt oplyst.** Rodede og mørke arbejdsområder kan forårsage ulykker.
- b. **Brug ikke elværktøj i eksplosive omgivelser, såsom i nærheden af brandfarlige væsker, gasser eller støv.** Elværktøj skaber gnister, der kan antænde støvet eller dampene.
- c. **Hold børn og omkringstående væk, mens du bruger et elværktøj.** Forstyrrelser kan medføre, at du mister kontrollen.
- d. **Efterlad aldrig elværktøjet uden opsyn.** Efterlad kun maskinen, når værktøjet i brug er standset helt.

2. ELEKTRISK SIKKERHED

- a. **Strømskik på elektrisk værktøj skal passe til stikkontakten. Stikket må aldrig ændres på nogen måde. Brug ikke adapterstik sammen med jordede (jordforbundne) elværktøj.** Uændrede stik og passende stikkontakter reducerer risikoen for elektrisk stød.
- b. **Undgå kropskontakt med jordede eller jordforbundne overflader, såsom rør, radiatorer, komfurer og køleskabe.** Der er en øget risiko for elektrisk stød, hvis din krop er jordet eller jordforbunden.
- c. **Elværktøj må ikke udsættes for regn eller våde forhold.** Indtrængning af vand i et elværktøj øger risikoen for elektrisk stød.
- d. **Misbrug ikke ledningen. Brug aldrig ledningen til at bære, trække eller tage stikket ud af elværktøjet. Hold ledningen væk fra varme, olie, skarpe kanter eller bevægelige dele.** Beskadigede eller sammenfiltrede ledninger øger risikoen for elektrisk stød.
- e. **Når et elværktøj bruges udendørs, skal der bruges en forlængerledning, der er egnet til udendørs brug.** Brug af ledning til udendørs brug reducerer risikoen for elektrisk stød.
- f. **Hvis det er uundgåeligt at betjene et elværktøj på et fugtigt sted, skal du bruge en beskyttet strømforsyning (RCD).** Brug af en RCD reducerer risikoen for elektrisk stød.

3. PERSONLIG SIKKERHED

- a. **Vær opmærksom, se hvad du laver og brug den sunde fornuft, når du betjener et elværktøj. Brug ikke et elværktøj, mens du er træt eller under påvirkning af stoffer, alkohol eller medicin.** Et øjeblik med uopmærksomhed, mens du bruger elværktøj, kan medføre alvorlig personskade.
- b. **Brug beskyttelsesudstyr. Bær altid beskyttelsesbriller.** Beskyttelsesudstyr som støvmaske, skridsikre sikkerhedssko, hjelm eller høreværn der anvendes til passende forhold, reducerer personskader.
- c. **Forhindre utilsigtet start. Sørg for at kontakten er i off-position før tilslutning til strømkilden og/eller batteriet, og når værktøjet løftes eller bæres.** At bære elværktøj med fingeren på kontakten eller strømførende elværktøj, der er tændt, kan forårsage ulykker.
- d. **Fjern indstillingsværktøj eller skruenøgler, før elværktøjet startes.** En skruenøgle eller en nøgle, der

efterlades fastgjort til en roterende del af elværktøjet, kan medføre personskade.

- e. **Stræk ikke for langt. Hold en forsvarlig fodstilling og balance på alle tidspunkter.** Dette giver bedre kontrol af elværktøjet i uventede situationer.
- f. **Klæd dig ordentligt. Bær ikke løst tøj eller smykker. Hold dit hår og tøj væk fra bevægelige dele.** Løstsiddende tøj, smykker eller langt hår kan blive fanget i bevægelige dele.
- g. **Hvis enheder er udstyret med tilslutning af støvudsugnings- og opsamlingsfaciliteter, sørg for at disse er tilsluttet og bruges korrekt.** Brug af støvopsamling kan begrænse farer forårsaget af støv.
- h. **Lad ikke kendskab opnået ved hyppig brug af værktøj gøre dig selv sikker og ignorere principperne om sikkerhed for værktøj.** En skødesløs handling kan forårsage alvorlig skade på en brøkdel af et sekund.

4. ELVÆRKTØJ BRUG OG PLEJE

- a. **Tving ikke elværktøj. Brug det korrekte elværktøj til din valgte anvendelse.** Det rigtige elværktøj gør arbejdet bedre og mere sikkert med den hastighed, som det blev designet til.
- b. **Brug ikke elværktøjet, hvis kontakten ikke kan tænde og slukke for det.** Ethvert elværktøj, som ikke kan styres med kontakten, er farligt og skal repareres.
- c. **Træk stikket ud af stikkontakten og/eller tag batteriet fra elværktøjet, inden der foretages justeringer, udskiftning af udstyr eller elværktøj lægges til opbevaring.** Sådanne forebyggende sikkerhedsforanstaltninger mindsker risikoen for at starte elværktøjet ved et uheld.
- d. **Opbevar ubenyttet elværktøj uden for børns rækkevidde, og tillad ikke personer, der ikke kender elværktøjet eller disse instruktioner at betjene elværktøjet.** Elværktøj er farligt i hænderne på uerfarne brugere.
- e. **Vedligehold elværktøj. Kontroller for fejljustering eller binding af bevægelige dele, brud på dele, og enhver anden tilstand, der kan påvirke elværktøjets funktion. Hvis det er beskadiget, skal værktøjet repareres før brug.** Mange ulykker skyldes dårligt vedligeholdt elværktøj.
- f. **Hold skæreværktøjer skarpe og rene.** Korrekt opbevaret skæreværktøj med skarpe skærekanter er mindre tilbøjelige til at binde og er lettere at styre.
- g. **Brug elværktøjet, udstyr og værktøjsbits mv. i overensstemmelse med disse instruktioner under hensyntagen til arbejdsvilkårene og det arbejde, der skal udføres.** Brug af elværktøjet til andre formål end de tilsigtede kan medføre en farlig situation.
- h. **Hold håndtagene tørre, rene og fri for olie og fedt.** Glatte håndtag giver ikke sikker håndtering og kontrol af værktøjet i uventede situationer.

5. SERVICE

- 1. **Få dit elværktøj serviceret af en autoriseret reparatør, der kun bruger identiske reservedele.** Dette sikrer, at elværktøjets sikkerhed opretholdes.
- 2. **Brug kun originale dele til reparation og vedligeholdelse.** Brug af ukurant udstyr eller reservedele kan medføre elektrisk stød eller andre skader.

Symboler, brugt i denne vejledning

V..... volt
 A..... ampere
 Hz..... hertz
 W..... watt
 ~..... vekselstrøm
 n_0 nominel hastighed
 min^{-1} omdrejninger eller frem- og tilbagegående bevægelse pr. minut



..... klasse II værktøj



..... advarsel om generel fare



.....læs disse instruktioner



.....bær altid beskyttelsesbriller



.....bær altid en støvmaske.



.....bær altid høreværn



.....bær altid sikkerhedsgodkendt hjelm



.....FARE! Hold hænderne væk fra skæremrådet og klingens.



smid ikke elværktøj, udstyr og emballage ud sammen med almindeligt affald

Skæremaskine sikkerhedsadvarsler

- **Beskyttelseskærmen der kommer med værktøjet skal være sikkert fastgjort til elværktøjet og placeret for maksimal sikkerhed, så den mindste mængde skive er blottet for operatøren. Placer dig selv og omkringstående væk fra området af den roterende skive.** Beskyttelseskærmen hjælper med at beskytte operatøren mod ødelagte skivefragmenter og utilsigtet kontakt med skiven.
- **Brug kun diamant skæreskiver til dit elværktøj.** Bare fordi et udstyr kan tilsluttes dit elværktøj, garanterer det ikke sikker drift.
- **Udstyrets nominelle hastighed skal mindst svare til den maksimale hastighed, der er angivet på elværktøjet.** Udstyr, der kører hurtigere end deres nominelle hastighed, kan gå i stykker og gå fra hinanden.
- **Skiver må kun bruges til anbefalede anvendelser. For eksempel: Slib ikke med siden af skæreskiven.** Slibende skæreskiver er beregnet til perifer slibning, og hvis sidekræfter påføres disse skiver kan det få dem til at splintre.
- **Brug altid ubeskadigede skiveflanger, der har korrekt diameter for din valgte skive.** Korrekte skiveflanger støtter skiven og reducerer dermed risikoen for brud på skiven.
- **Brug ikke slidte forstærkede skiver fra større elværktøj.** Skiver beregnet til større elværktøj er ikke egnet til den højere hastighed af et mindre værktøj og kan gå i stykker.
- **Den udvendige diameter og tykkelsen af dit udstyr skal være inden for kapacitetsrækkevidden af dit elværktøj.** Udstyr med forkert størrelse kan ikke afskærmes eller kontrolleres tilstrækkeligt.
- **Akselstørrelsen af skiver og flanger skal passe korrekt til spindlen på elværktøjet.** Skiver og flanger med akselhuller, der ikke matcher monteringsværktøjet på elværktøjet, vil køre ud af balance, vibrerer for meget og kan forårsage tab af kontrol.
- **Brug ikke beskadigede skiver. Før hver brug, skal skiverne inspiceres for revner og hakker. Hvis**

elværktøj eller skive tabs, skal du kontrollere om der er skader eller installere en ubeskadiget skive. Efter inspektion og montering af skiven skal du placere dig selv og omkringstående væk fra den roterende skives område og køre elværktøjet ved maksimal lasthastighed i et minut.

Beskadigede skiver vil normalt gå i stykker i løbet af denne test.

- **Bær beskyttelsesudstyr. Afhængigt af anvendelsen skal du bruge ansigtsskærm, beskyttelsesbriller eller sikkerhedsbriller. Brug om nødvendigt støvmaske, høreværn, handsker og skæreforklæde, der kan standse små slibe- og materialefragmenter.** Øjenbeskyttelsen skal være i stand til at stoppe flyvende stumper, der opstår af forskelligt arbejde. Støvmasken eller åndedrætsværnet skal være i stand til at filtrere partikler, der opstår under arbejdet. Langvarig udsættelse for høj intensiv støj kan forårsage høretab.
- **Hold omkringstående på sikker afstand fra arbejdsområdet. Enhver, der kommer ind på arbejdsområdet, skal bære beskyttelsesudstyr.** Fragmenter af emnet eller af ødelagt udstyr kan flyve væk og forårsage skade uden for det umiddelbare arbejdsområde.
- **Hold kun elværktøjet i de isolerede gribeflader, når der udføres arbejde, hvor skæreudstyret kan komme i kontakt med skjulte ledninger eller dets egen ledning.** Skæreudstyr, der kommer i kontakt med en "strømførende" ledning, kan gøre metaldele af elværktøjet "strømførende" og kan give operatøren et elektrisk stød.
- **Placer ledningen væk fra roterende udstyr.** Hvis du mister kontrollen, kan ledningen blive skåret eller viklet, og din hånd eller arm kan trækkes ind i den roterende skive.
- **Læg aldrig elværktøjet fra dig, før udstyret er stoppet helt.** Den roterende skive kan gribe fast i overfladen og trække i elværktøjet, så du mister kontrollen.
- **Lad ikke elværktøjet køre, mens du bærer det ved din side.** Utilsigtet kontakt med det roterende udstyr kan tage fat i dit tøj og trække udstyret ind mod din krop.
- **Rengør elværktøjets luftventiler regelmæssigt.** Motorens ventilator trækker støvet inde i huset, og overdreven ophobning af pulveriseret metal kan forårsage elektriske farer.
- **Brug ikke elværktøjet i nærheden af brandfarlige materialer.** Gnister kan antænde disse materialer.

Tilbageslag og relaterede advarsler

- Tilbageslag er en pludselig reaktion på et fastklemt eller fastsiddende roterende hjul. Fastklemning eller fastsidning forårsager hurtig standsning af den roterende skive, som igen får det ukontrollerede elværktøj til at blive tvunget i modsat retning af skivens rotation på bindingspunktet. For eksempel, hvis et slibeskive fastholdes eller klemmes af emnet, kan kanten af skiven, der kommer ind i knivpunktet, grave ind i overfladen af materialet, hvilket får skiven til at kravle ud eller slå ud. Skiven kan enten springe mod eller væk fra operatøren afhængigt af retningen af skivens bevægelse ved klemningspunktet. Slibeskiver kan også gå i stykker under disse forhold. Tilbageslag er et resultat af misbrug af elværktøj og/eller forkerte betjeningsprocedurer eller -betingelser og kan undgås ved at tage de nødvendige forholdsregler som angivet nedenfor.
- **Vedligehold et fast greb på elværktøjet og placer din krop og arm for at modstå tilbageslagskræfter. Brug altid hjælpehåndtaget, hvis til stede, for maksimal kontrol over tilbageslag eller drejningsmomentreaktion under opstart.** Operatøren kan styre drejningsmomentreaktioner eller tilbageslagskræfter, hvis der træffes passende forholdsregler.
- **Placer aldrig din hånd i nærheden af det roterende udstyr.** Udstyr kan slå tilbage over din hånd.
- **Placer ikke din krop på linje med den roterende skive.** Tilbageslag vil drive værktøjet i retning modsat skivens bevægelse ved blokeringsstedet.
- **Brug særlig omhu, når du arbejder med hjørner, skarpe kanter osv. Undgå at "hoppe" eller at**

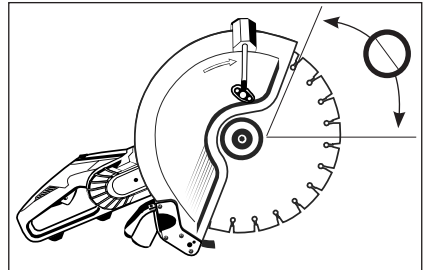
fastklemme udstyret. Hjørner, skarpe kanter eller "hop" har en tendens til at fastklemme det roterende udstyr og forårsage tab af kontrol eller tilbageslag.

- **Montér ikke en savkæde, træskærerblad, segmenteret diamanthjul med et perifert hul på mere end 10 mm eller tandet savklinge.** Sådanne klinger skaber hyppige tilbageslag og tab af kontrol.
- **Undlad at "fæstne" skæreklingen eller anvende overdrevent tryk. Forsøg ikke at lave et overdrevent dybt snit.** Overbelastning af skiven øger belastningen og følsomheden for at få skiven til at vride eller sidde fast under udskæringen og øge muligheden for tilbageslag eller skivebrud.
- **Når skiven sidder fast eller ved afbrydelse af et snit af en eller anden grund, skal du slukke for værktøjet og holde redskabet ubevægeligt, indtil skiven er stoppet helt. Forsøg aldrig at fjerne skæreklingen fra snittet, mens klingens er i bevægelse, ellers kan der ske tilbageslag.** Undersøg og lav afhjælpende foranstaltninger for at fjerne årsagen til fastsiddningen af skiven.
- **Genstart ikke skæreoperationen i emnet. Lad skiven nå fuld hastighed og genindfør forsigtigt igen.** Skiven kan sætte sig fast, gå op eller give tilbageslag, hvis elværktøjet genstartes i emnet.
- **Understøt paneler eller ethvert overdimensioneret emne for at minimere risikoen for at klemme skiven og tilbageslag.** Store emner har tendens til at hænge under deres egen vægt. Understøttelse skal placeres under emnet nær snitlinjen og nær kanten af emnet på begge sider af skiven.
- **Vær ekstra forsigtig, når du laver en "lomme-snit" i eksisterende vægge eller andre blinde områder.** Den fremspringende skive kan skære i gas- eller vandrør, elektriske ledninger eller genstande, der kan forårsage tilbageslag.

Skæremaskine sikkerhedsadvarsler - Yderligere sikkerhedsregler

ADVARSEL: Undgå at skære i klingens øvre kvadrant, især når man begynder snittet. Dette område vil højst sandsynligt føre til tilbageslag.

ADVARSEL: Når der skæres i plastik, må plastikken ikke smelte. Hvis plastikken smelter, kan den klæbe til klingens, hvilket fører til tilbageslag.

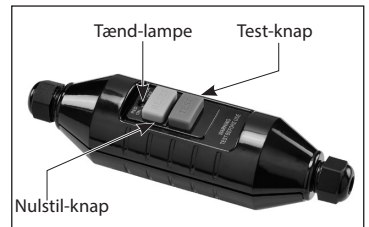


ELEKTRISK TILSLUTNING

Strømspændingen skal svare til den spænding, der er angivet på værktøjets navneskilt. Værktøjet skal under ingen omstændigheder bruges, når strømforsyningskabel er beskadiget. Et beskadiget kabel skal straks udskiftes af et autoriseret kundeservicecenter. Forsøg ikke selv at reparere det beskadigede kabel. Brugen af beskadigede strømkabler kan føre til elektrisk stød.

ADVARSEL: Brug aldrig en beskadiget maskine. Mærk altid en beskadiget maskine og tag den ud af brug, indtil reparationer kan foretages.

ADVARSEL: Disse maskiner er udstyret med en bærbar reststrømsenhed (PRCD), der også er kendt som en jordfejl kredsløbsafbryder (GFCI). Brug altid denne enhed, når du



Bemærk: PRCD (GFCI) optrædener variere i overensstemmelse med kravene i forskellige regioner. Billeder er kun til reference

bruger maskinen, for at reducere risikoen for stødrisiko. Placer altid PRCD'en så tæt som muligt på strømkilden. Test og nulstil PRCD-enhed for hver brug. Tryk på knappen "Test" for at teste. Tryk på knappen "Reset" for at aktivere kredsløbet til maskinen.

INTRODUKTION

Denne maskine er udstyret med to håndtag og en klingskærm. Motoren har beskyttelse med overbelastning og overophedning. Den har et integreret vandforsyningsystem som krævet til diamantskæring og har en bærbar reststrømsenhed (PRCD) til elektrisk sikkerhed. Den må kun bruges med en diamantklinge eller slibeskive. Den er beregnet til skæring af murværk, sten, beton, armeret beton og lignende materialer. Alle andre anvendelser er forbudt.

LISTE OVER INDHOLD

- Betonsav
- Styrrullemontering
- M17 Kombinationsnøgle
- Stænkskærm
- Glatskæringsæt

MONTAGE

- Monter klingen. (Se nedenfor "Montering af klingen")
- Monter styrrullemontering som ønsket (Se under "Styrrullemontering").
- Monter klingebeskyttelsesbørsten (Se under "Klingebeskyttelsesbørste" for monteringsvejledning)
- Monter stænkskærm (Se under "Stænkskærm" for monteringsvejledning)

DIAMANTKLINGER

Tilladte typer af klinger

Denne maskine må kun bruge diamantklinger eller slibeskiver

- Brug kun segmenterede eller kontinuerligt kantede diamantklinger.
- Hvis diamantklingen er segmenteret, er det maksimalt tilladte perifere mellemrum mellem segmenter 10 mm og skal være med en negativ rakevinkel.
- Kun diamantklinger på 405mm (16") eller derunder må anvendes.
- Klingetykkelsen skal være mindst 2,4mm og ikke større end 6,35mm

* Klingekernetykkelsen skal være mindst 2,2mm og ikke større end 3,5mm

Klinge-opbevaring og -transport

Opbevar eller transporter ikke maskinen med den monterede klinge. Fjern klingen og opbevar den på en sådan måde, at den er beskyttet mod at blive bøjet eller beskadiget, når maskinen ikke er i brug - dette forhindrer skader på klingen.

En beskadiget klinge kan forårsage uregelmæssige forhold, hvilket kan medføre ubalance og medføre fare. Undersøg altid nye klinger for opbevarings- eller transportskader.

Om Diamantklinger

Diamantklinger består af en stålkerne med diamantsegmenter tilføjet til dens periferi.

Diamantklinger er tilgængelige i forskellige hårdheder til murværk, sten, beton, armeret beton mv.

Nogle diamantklinger er designet til kun at blive brugt våde, mens andre er designet til at få lov til at blive brugt tørre. Se producentens anvisninger.

Generelt, selvom klingen er angivet som en tør klinge, fungerer diamantværktøjer altid bedre, når de er våde, og tørskæring bør begrænses til situationer, hvor vand ikke kan eller ikke bør anvendes. Vand forhindrer klingens i at blive overophedet, reducerer mængden af skadeligt støv, der skabes ved at skære, fjerner slammet fra snittet og forlænger klingens levetid. Tørskæring af meget hårde materialer som porcelæn eller armeret beton vil føre til hurtig nedslidning af værktøj og mulige svigt.

De diamantimpregnerede segmenter virker på et princip om kontrolleret erosion. Bindingsmatrixen, der holder diamanterne, bliver hele tiden slidt ned af slid mod emnet, og udsætter de hårdere diamanter for at stå stolte fra bindingsmatrixen. Klinger til skæring af hårdere materialer vil have en blødere binding, hvilket gør diamanterne mere aggressive (men vil ikke holde så længe). Klinger til skæring af blødere, slibende materialer vil have en hårdere binding, så de kan modstå materialets slidstyrke og holde længere. Med tilstrækkelig erosion af bindingsmatrixen (de ikke viste diamanter) og klingens bliver sløv. Dette kaldes glaserering. Hvis klingens lader til at nægte at skære længere, er den glaseret.

Se nedenfor: **”Slibning af en glaseret klinge”**

Brug aldrig en skarp bevægelse, eller klingens vil blive beskadiget. Omvendt må du ikke gøre det for forsigtigt, for så bliver diamantsegmenterne glaserede. Hold klingens støt i gang.

Vær meget omhyggelig med at holde klingens vinkelret på linje med savsnittet. Hvis klingens er skæv, vil den let binde. Ved opskæring af armeret beton skal der tages særligt hensyn til indlejret stål. Reducer fødestrykket med omkring 1/3, og lad klingens gå i sit eget tempo, hvis der er for meget vibration kan klingens blive ødelagt. Når stålet er passeret, fortsæt normalt.

BEMÆRK: Brug aldrig en våd-type diamantklinge uden vand. Det vil overophede og blive ødelagt.

BEMÆRK: Når du bruger tør-klinger, må du ikke lade dem overophede. Det er bedst ikke at skære længere end omkring 60 sekunder ad gangen, med 10 sekunders forløb af luftnedkøling imellem.

Monter altid klingens med pilen, der matcher maskinens rotationsretning (en retningspil er markeret på klingskærmen).

ADVARSEL: Brug aldrig klinger til at skære et andet materiale end det materiale, de var beregnet til.

SLIBNING AF EN GLASERET KLINGE

Diamantklinger kan blive glaserede (sløve). Når diamantsegmenterne er glaserede, vil klingens skæreevne nedbrydes, og segmenterne overophedes. For at slibe klingen, skal du skrue ned for vandtilførslen og lave et par snit i et meget blødt, slibende materiale som mursten eller en aluminaoxid eller siliciumcarbid-sten.

MONTER KLINGEN

Først skal du sørge for, at maskinen er taget ud af stikkontakten.

Brug derefter 17 mm kombinationsnøglen til at dreje i akselbolten og drej akslen, mens du trykker på aksellåsen. Når akslen når den rigtige position, vil aksellåsen få lov til at gå i indgreb. Derefter kan akselbolten løsnes, og den yderste flange kan fjernes.

Den indre flange af denne maskine er 1" (25,4mm). Kontroller den indre flange for at sikre, at størrelsen passer til klingens boring.

Undersøg klingen før brug. Den må ikke være revnet, skæv eller beskadiget på nogen måde, der ville medføre en fare i drift. Løse diamantsegmenter kan skubbes ud med høj hastighed, hvilket muligvis skader. Kontrollér altid, at diamantsegmenterne ikke er skåret. Hvis diamantsegmenterne er tyndere eller næsten tyndere end klinge-kernen, vil savsnittet være for stramt og kunne let føre til tilbageslag.

Sørg for, at flangerne og klinge-boringen er rene og ubeskadigede, og at alt passer ordentligt. Flangerne kan ikke anvendes, hvis de er bøjedede, overfladen er ujævn, snurrede eller hvis de er beskidte. Akselbolten og akseltrådene må ikke være beskadigede. Undersøg klingerne for segmentskader, skader på aksel eller andre skader, der kan forårsage farlig drift.

Den fremspringende kant af den indre flange skal vende mod klingens. Derefter monteres klingens til den indre flange og yderflangen tilføjes. Sæt akselbolten på og stram til 15-25 Nm.

ADVARSEL: Forsøg ikke at montere en klinge, der ikke passer til monteringsmaskinen. Det vil føre til excentrisk kørsel og vibrationer, som vil være ukontrollable.

JUSTERING AF KLINGESKÆRM

Klingen roterer med uret, når den ses fra enden af akslen. Derfor kastes det meste skæreaaffald, gnister og opslæmning bagud. Så klingskærmen skal justeres, så den bageste kant flugter med emnet.

FOR AT JUSTERE

Træk først låsearmen ud mod fjederspændingen, og drej klingskærmen til den ønskede position. Tillad låsegrebet at indgribe den nærmeste plads i skærmen for at låse den i position.



KLINGEBESKYTTELSBØRSTE

Der er en aftagelig børste bag på skærmen for at hjælpe med at holde gnister, støv, snavs og opslæmning. For

at installere skal du blot skubbe børsten ind i spalten i bunden af støvporten, indtil den klikker på plads. Denne børste kan nemt trækkes ud for at udskifte når den er slidt.

STÆNKSKÆRM

Den fjederbelastede stænkskærm er nyttig til at hjælpe med at holde opslæmning, der sprøjter bagud. For at installere, skal du blot klikke på plads på bagsiden af støvporten. For at fjerne, vip opad til den popper fri. Hvis stænkskærmen ikke er nødvendig, f.eks. når der skæres tørt, kan den nemt klikkes væk. Bare sæt hanklemmen på flappen med den hunklemmen på monteringen. Klip fri for at løsne.

VANDTILSLUTNING

Vand er et grundlæggende krav til diamantsave med diamantklinger af vådtype. Vandet tjener som kølevæske for at undgå diamantsegmentets arbejdsflade fra overophedning. Vand holder også støv nede og skyller slibende partikler væk.

ADVARSEL: Brug altid PRCD (GFCI), når du arbejder med vand

ADVARSEL: Lad aldrig vand komme ind i motoren. Det kan føre til elektrisk stød.

ADVARSEL: Kontroller alle tilslutninger af

vandforsyningsystemet for at sikre, at der ikke er lækager. Undersøg slanger og andre kritiske dele, som kan forringes.

ADVARSEL: Det maksimale vandtryk må ikke overstige 70 psi (4 bar).

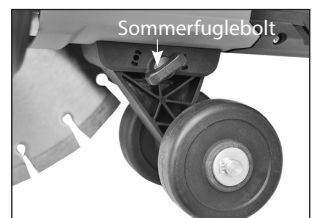
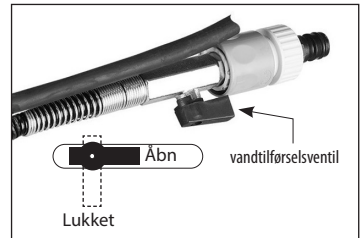
Brug en vandsamler med et vådt vakuum til at opsamle kølevand, hvis nærliggende genstande kan blive beskadiget af vand. Vandforsyningsystemet er indbygget i maskinen. At forbinde med vandforsyningen, fskal du først trække fastspændingskraven for at fjerne vandkølingens hunside. Derefter skrues møtrikken af og koblingen til vandslangen indsættes. Tilslut nu vandkoblingen til handelen af vandtilførselsventilen. Tryk på den, indtil den klikker.

Vandstrømmen styres af vandtilførselsventilen. Vandet til klingens kan finjusteres til den krævede mængde.

BEMÆRK: Forurenende stoffer i vandforsyningen kan let tilstoppe de fine vanddyser i klingskærmen. Sørg for, at vandet fra vandforsyningen er rent. Hvis du finder ud af, at der ikke er vandstrøm til klingens, skal du rense vandforsyningsystemet på maskinen.

STYRERULLEMONTERING

Styrrullerne gør det lettere at holde klingens vinkelret på emnet. For at installere, løsn sommerfuglbolten en smule og indsæt de fire klør med de fire øjenlåg på bunden af motorhuset, og stram derefter sommerfuglbolten.



VEJLEDNING TIL VANDSKÆRINGSSÆT

INDLEDNING

Vandskæringssættet gør det muligt at montere et vandskærebånd (ikke inkluderet) til maskinen, hvilket gør det muligt at vandskære, mens den yderste knivafskærmning er midlertidigt fjernet.

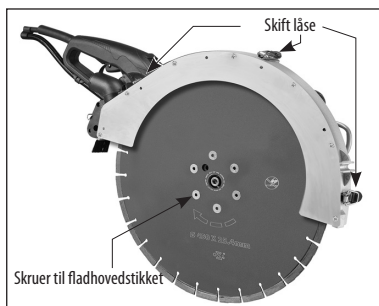
INDHOLDSLISTE

1. Vandskæreflange
2. Muffe til dornbolt og spændskive
3. 6 x undersænkede skruer
4. M5 L-sekskantnøgle
5. M8 L-sekskantnøgle
6. 7 x undersænkede skruer til vandskærefskærmning

SAMLING

For montering af vandskæresættet fjernes først dornbolten, flangerne og kniven i overensstemmelse med vejledningen.

1. Fjern vandslangen fra vanddysen på den yderste knivafskærmning og slut den til den anden vanddysse på den indvendige knivafskærmning.
2. Tag stænskærmen af og fjern de 7 skruer, der fastgør den ydre bladskærm.
3. Klips de 3 rigler op og tryk de løse hasper ind i plastikklipsen for at undgå, at de ryster.
4. Løft den yderste knivafskærmning af og opbevar den et sikkert sted.
5. Montér vandskæreflangeren på spindlen og fastgør den med spændskiven og dornbolten. Fastgør dornlåsen, og spænd boltene til ved hjælp af M8 L-sekskantnøglen.



ADVARSEL: Brug ikke afstandsstykker eller flanger under vandskæreflangeren!

6. Montér vandskærekniven på flangeren, og juster hullerne og gevindet i de undersænkede skruer. Brug M5-L-sekskantnøglen til at spænde skruerne jævnt og diagonalt.
7. Montér vandskærefskærmningen og fastspænd de 7 undersænkede skruer.

ADVARSEL: Må ikke betjenes, hvis ikke uden vandskærefskærmningen er monteret.

8. Når vandskæringen er færdig, skal saven øjeblikkeligt bringes tilbage i standardkonfigurationen.

BEMÆRK: Der er ca. 1 mm eller mindre effektivt afvigelse (afhængigt af, hvor tykke diamantsegmenterne er).

Men da knivafskærmningen har en vis fleksibilitet, vil et let tryk nedad resultere i fuld vandskæring. Ed faktisk skæring er det 100 % vandskåret. Der skal være en lille afvigelse, således at kniven ikke laver hvirvlemærker i

basismaterialet, når dette betyder noget. For at undgå disse mærker må man ikke trykke ned, og for at opnå 100 % vandskæring skal man trykke ned.

ADVARSEL: Skal altid betjenes uden yderst knivafskærmning ved almindelig skæring. Saven må aldrig betjenes uden den yderste knivafskærmning, med mindre det er ved vandskæring.

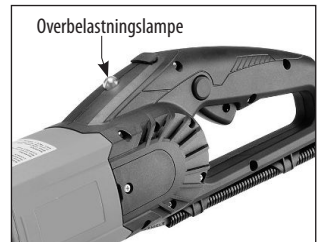
ADVARSEL: Kontroller tykkelsen af monteringskruerne og dornskruen regelmæssigt.

ADVARSEL: Hvis der føles usædvanlige vibrationer under driften, skal man øjeblikkeligt stoppe og finde årsagen, før man fortsætter.

OVERBELASTNINGSBESKYTTELSE, OVEROPHEDNINGSBESKYTTELSE

Overbelastnings- og belastnings advarselslampe

Når fuld belastning er nået, blinker advarselslampen rødt. Hvis fuld belastning overskrides og vedvarer for lang tid, slukker motoren, og belastningsadvarselslampen lyser fast rødt. I dette tilfælde skal motoren først lukkes og derefter genstartes.



Overophedning termisk beskyttelse

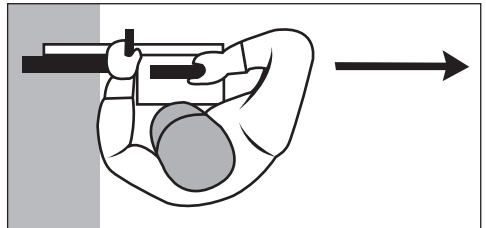
Hvis motorens temperatur bliver for høj, vil termisk beskyttelse slukke for motoren. Afbryderen skal først slukkes og derefter genstartes. Når dette sker, skal du ikke begynde at skære lige efter at du har startet motoren igen. Kør altid maskinen uden belastning i nogle minutter for at vende tilbage til en normal driftstemperatur, inden du fortsætter.

FORSIGTIG: Motoren vil blive beskadiget, hvis den gentagne gange overbelastes eller overophedes. Afkøl altid motoren ved at køre uden belastning i et par minutter, når den stopper fra overophedning eller overbelastning.

BETJENING

Sådan holder du maskinen

- Hold altid maskinen med begge hænder, med højre hånd på hovedhåndtaget og med venstre hånd på sidehåndtaget. (Dette gælder selvom operatøren er venstrehåndet)
- Stå ikke direkte på linje med klingens linje. Stå hellere på en sådan måde, at hvis der kommer tilbageslag, vil du ikke være i klingens linje.
- Læn dig aldrig over klingens linje. Det ville sætte din krop på linje med klingens linje, hvis der sker tilbageslag.
- Skær ikke over skulderhøjde.
- Skær aldrig, mens du står på en stige eller anden ustabil platform.

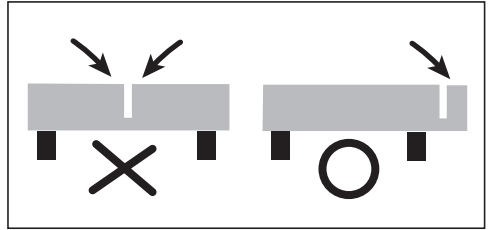


Før du slærer

- Kontroller det område, hvor snittet skal laves for at sikre, at det er ryddet for genstande, der kan få operatøren til at snuble.
- Før der skæres, er det nogle gange nyttigt at markere snitlinjen med kridt eller lignende. Til lige skæring er en træplanke også nyttig til styring af maskinen for at lave et lige snit.
- Sørg for, at alle omkringstående er i en sikker afstand.
- Sørg for, at alt sikkerhedsudstyr er på plads.

Korrekt understøttelse til emnet

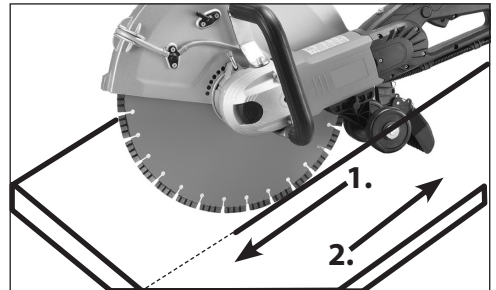
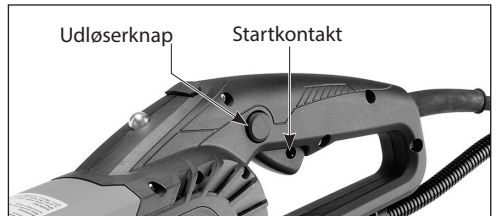
- Understøt emnet på en sådan måde, at snittet ikke vil klemme ned på klingens.
- Fastgør emnet, så det ikke ruller, glider væk eller bevæger sig på grund af vibrationer under skæring
- Skæringssekvensen er vigtig, når der laves udskæringer. Lav altid det sidste stykke på en måde, der forhindrer klingens i at blive klemt. Så



- lav den nederste vandrette snit først, så siderne og til sidst det øverste vandrette snit.
- Bemærk emnets vægt og retningen, som det vil falde, når det skæres igennem.
- Når der er en situation, hvor overskæring af emnet vil forårsage en farlig situation, efterlad en fane af materiale intakt og afslut operationen med en mejsel eller lignende.

Skæringsteknik

- Hold maskinen med begge hænder for at modstå startmomentet, tryk på udløserknappen og tryk derefter på afbryderknappen.
- Lad maskinen komme til fuld hastighed, før du kommer i kontakt med emnet.
- Juster vandstrømmen efter behov ved at dreje vandtilførselsventilen.
- Begynd derefter forsigtigt snittet med den bageste del af klingens, indtil savsnittet er etableret. Lav det første snit i fremadgående retning (så du kan se snitlinjen). Derefter foretages efterfølgende nedskæringer i baglæns retning.
- Forsøg ikke at skære for meget dybde i én arbejdsgang. Overskrid aldrig ca. 50mm (2") pr. arbejdsgang.
- Det er en god ide at først skære et overfladisk rillespor, inden du fortsætter med at lave hovedskæringen. Hvis der er behov for rettelser. Løft klingens og skær lidt fremad og derefter tilbage i den



eksisterende snitlinje Pas på at undgå at klingen klemmes.

- I runde emner er den bedste teknik at bruge en langsom, ensartet bevægelse frem og tilbage under skæring med klingens nederste kvadrant.
- Lad ikke maskinen falde ned. Begræns dit fødetryk for at holde klingens roteren i høj hastighed.
- Sidebelastning aldrig klingens i savsnittet.
- Skæring i beton er meget stressende for motoren: Efter at snittet er færdigt, er det god praksis at køre maskinen uden belastning i en kort periode for at sænke motorens temperatur før den stoppes.

For at stoppe

Slip udløseren for at stoppe maskinen. Når udløseren er frigivet, fortsætter bladet med at rotere i et stykke tid.

ADVARSEL: Sæt ikke maskinen ned, før klingens er helt stoppet.

Bemærk: Sørg altid for at støvsugerens støvpose ikke er for fuld. En overfyldt støvpose vil have reduceret støvsamlings effektivitet, hvilket kan resultere i dårlig støvkontrol.

VEDLIGEHOLDELSE OG RENGØRING

Denne maskine bruges i et meget hårdt miljø. Opslæmningen skabt ved vådskæring og støv dannet ved tørskæring suges ind i motorens køleslidser og kommer ind i motoren. Opslæmningen af mursten og beton indeholder salte og andre ætsende stoffer, der vil forkorte motorens levetid eller forårsage elektriske kortslutninger, hvis det tillades at akkumulere.

Derfor er det afgørende for værktøjets lange levetid, at det bliver grundigt rengjort efter hver brug. Trykluft skal blæses gennem maskinens køleslidser bag på maskinen, mens motoren kører.

Daglig vedligeholdelse

1. Hold maskinen ren
2. Kontroller, at strømforsyningskabel er i god stand.
3. Sørg for, at alle skruer er stramme.
4. Kontroller tilstanden af alt sikkerhedsudstyr, som f.eks. klingeskærmen
5. Kontroller klingens for skader.

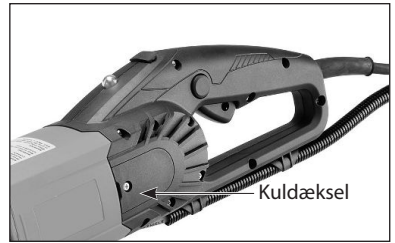
Kulbørster

Kulbørsterne er en normal sliddele og skal udskiftes, når de når deres slidgrænse. Denne maskine er udstyret med auto-stop kulbørster. Hvis maskinen stopper uventet, bør børsterne kontrolleres. Auto-stop børste-design beskytter motoren ved at stoppe maskinen, før kulbørsterne er helt slidte.

Forsigtig: Udskift altid børsterne parvis.

For at udskifte

1. Fjern skruen og fjern kuldækslet.
2. Brug tænger og drej børstefjederen ud og skub den gamle kulbørste ud af børsteholderen.
3. Skru skruen af for at fjerne børstehovedet. Den gamle kulbørste kan nu løftes væk.
4. Installer en ny børste. Installation er omvendt af fjernelse.
5. Sæt kuldækslet på igen.



Hvis udskiftning af strømkabel er nødvendig, skal dette udføres af fabrikanten eller deres agent for at undgå en sikkerhedsrisiko.

ADVARSEL: Alle reparationer skal overlades til et autoriseret servicecenter. Forkert udførte reparationer kan medføre skade eller død.

Smid ikke elværktøj i husholdningsaffaldet!

I overensstemmelse med det europæiske direktiv 2002/96/EF om affald af elektrisk og elektronisk udstyr og gennemførelse i national ret skal brugte elværktøjer opsamles separat og genanvendes på en miljøvenlig måde.

Information om støj/vibration

Målt i henhold til EN 60745-2-22

Model nr.: C16

Støjniveau: Lydtryksniveau(L_{pA}): 105,0 dB(A) Lydniveau(L_{wA}): 116,0 dB(A) K= 3,0 dB

Vibrationsniveau: $a_h = 3,9 \text{ m/s}^2$ K = 1,5 m/s^2

Vibrationsniveauet er målt i overensstemmelse med en standardiseret test angivet i EN 60745; Det kan bruges til at sammenligne et værktøj med et andet og som en foreløbig vurdering af eksponering for vibrationer, når værktøjet bruges til de nævnte applikationer

- ved hjælp af forskellige applikationer, eller med forskelligt eller dårligt vedligeholdt udstyr, kan øge eksponeringsniveauet betydeligt
- de gange, hvor værktøjet er slukket eller når det kører, men ikke rent faktisk gør arbejdet, kan sænke eksponeringsniveauet betydeligt

beskyt dig selv mod virkningerne af vibrationer ved at vedligeholde værktøjet og dets udstyr, holde dine hænder varme, og organisere dine arbejdsmønstre

CE-overensstemmelseserklæring

• Vi erklærer under eget ansvar at dette produkt er i overensstemmelse med følgende standarder eller standardiserede dokumenter: EN 60745-1: 2009 + A11: 2010 & EN 60745-2-22: 2011 + A11: 2013, EN 61000, EN 55014 i overensstemmelse med forskrifterne 2006/42/EF, 2014/30/EU, 2011/65/EU

• Teknisk fil hos: LEE YEONG INDUSTRIAL CO., LTD., NO.2, KEJIA RD., DOULIU CITY, YUNLIN COUNTY 64057, TAIWAN

You-Chun, Liu
Operation & Engineering

You Chun Liu

Chih-Hao, Lai
Approval Manager

chih hao lai

LEE YEONG INDUSTRIAL CO., LTD.,
NO.2, KEJIA RD., DOULIU CITY, YUNLIN COUNTY 64057, TAIWAN 12.30.2016

LEE YEONG INDUSTRIAL CO., LTD.

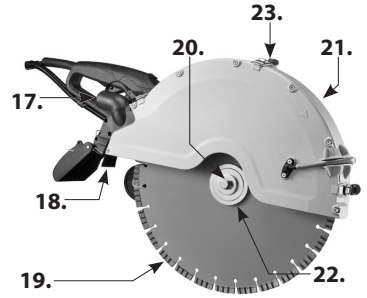
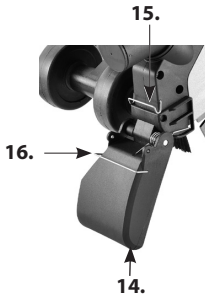
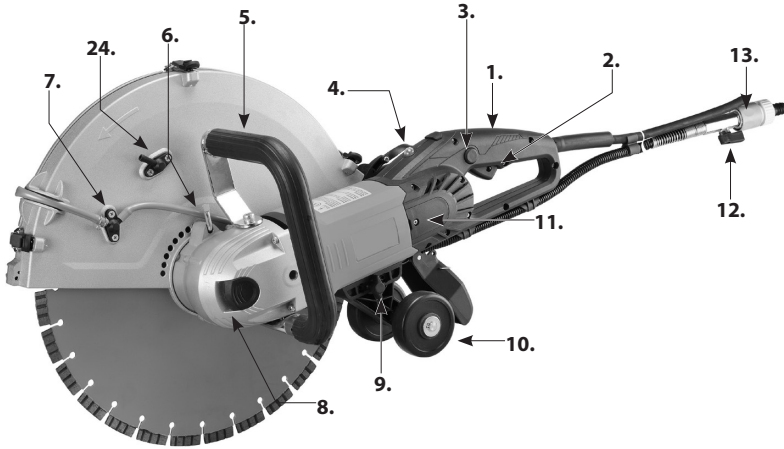
NO.2, KEJIA RD., DOULIU CITY,
YUNLIN COUNTY 64057, TAIWAN

TEL: 886-5-5518689 (REP)

Fax: 886-5-5518635

SPESIFIKASJONER

Modell	C16
Strøminngang	230 V: 2700 W (3200 W aktuell), 115 V: 2300 W (3000 W aktuell)
Spenning	220-240 V~ 50/60 Hz 110-120 V~ 50/60 Hz (Se maskinens navneplate)
Nominell hastighet	n=3900 min ⁻¹
Bladets diameter	405 mm (16")
Aksel	25,4 mm (1")
Maks. skjæredybde	150 mm (6")
Vekt	9,6 kg (21,1 Lbs) (10 kg (22,2 Lbs) med styreruller)



- 1. Hovedhåndtak
- 2. Avtrekkerbryter
- 3. Utløserknapp
- 4. Varsellampe for belastning
- 5. Sidehåndtak
- 6. Låsespak for bladvernet
- 7. Dyse for vannforsyning
- 8. Låseknapp for aksel
- 9. Vingebolt
- 10. Montering styrerulle
- 11. Børstedeksel
- 12. Vannforsyningsventil

- 13. Vanntilkobling
- 14. Sprutvern
- 15. Hunnklips
- 16. Hannklips
- 17. Støvsugetilkobling
- 18. Børste for bladvernet
- 19. Diamantblad
- 20. Akselbolt
- 21. Bladvern

- 22. Utvendig flens
- 23. Veksellåser
- 24. Alternativ vanddyse

GENERELLE SIKKERHETSREGLER



ADVARSEL! Les alle sikkerhetsadvarsler og -instruksjoner! Unnlattelse av å følge advarslene og instruksjonene kan føre til elektrisk støt, brann og/eller alvorlige personskader.

Ta vare på alle varsler og instruksjoner for senere referanse.

Begrepet “el-verktøy” i advarslene refererer til strømmett-drevet (med ledning) el-verktøy eller batteridrevet (trådløst) verktøy.

1. SIKKERHET PÅ ARBEIDSPLASSEN

- A. Hold arbeidsplassen ren og godt opplyst.** Rotete og mørke områder inviterer til ulykker.
- B. Bruk aldri el-verktøy i eksplosive atmosfærer, som for eksempel i nærheten av brennbare væsker, gasser eller støv.** El-verktøy skaper gnister som kan antenne støv eller damp.
- C. Hold barn og tilskuere unna når du bruker et el-verktøy.** Distraksjoner kan føre til at du mister kontrollen.
- D. La aldri el-verktøyet være uten tilsyn.** Sett bare maskinen fra deg når verktøyet som er i bruk har stoppet helt opp.

2. ELEKTRISK SIKKERHET

- a. Støpselet til el-verktøyet må passe til stikkkontakten. Støpselet må ikke endres på noen måte. Bruk aldri adapterstøpsler med jordforbundet (jordet) verktøy.** Støpsler som ikke er endret og samsvarende stikkontakter vil redusere faren for elektrisk støt.
- b. Unngå kroppskontakt med jordforbundne eller jordede overflater, som rør, radiatorer, stekeovner og kjøleskap.** Det er økt fare for elektrisk støt dersom kroppen din er forbundet til jord eller jordet.
- c. Ikke utsett el-verktøy for regn eller våte forhold.** Vann som trenger inn u et el-verktøy vil øke faren for elektrisk støt.
- d. Ikke mishandle ledningen. Ikke ta tak i ledningen for å bære, trekke eller koble fra et el-verktøy. Hold ledningen vekk fra varme, olje, skarpe kanter eller bevegelige deler.** Skadede eller viklede ledninger øker faren for elektrisk støt.
- e. Bruk en skjøteledning som er egnet for utendørs bruk når du bruker et el-verktøy utendørs.** Bruk av en skjøteledning som er egnet for utendørs bruk reduserer faren for elektrisk støt.
- f. Hvis det er uunngåelig å bruke et el-verktøy på et fuktig sted, må du bruke en beskyttet strømforsyning (RCD).** Bruk av en RCD reduserer faren for elektrisk støt.

3. PERSONLIG SIKKERHET

- a. Vær på vakt, se hva du gjør og bruk fornuft når du bruker et el-verktøy. Ikke bruk et el-verktøy dersom du er sliten eller under påvirkning av stoffer, alkohol eller medisiner.** Et lite uoppmerksomt øyeblikk under bruken av el-verktøy kan føre til alvorlige personskader.
- b. Bruk personlig verneutstyr. Bruk alltid øyebeskyttelse.** Verneutstyr som støvmaske, sklisikre sko, hjelm eller hørselsvern som brukes under passende forhold, vil redusere personskader.
- c. Unngå utilsiktet oppstart. Kontroller at bryteren er i Av-posisjon før du kobler til strømkilden og/eller batteripakken, løfter opp eller bærer verktøyet.** Å bære et el-verktøy med fingeren på bryteren eller sette inn kontakten på el-verktøy med bryteren på øker muligheten for ulykker.

- d. **Fjern ethvert justeringsverktøy før du slår på el-verktøyet.** En skiftnøkkel eller annen nøkkel som er festet til en roterende del av el-verktøyet kan føre til personskader.
- e. **Ikke strekk deg for mye. Hold riktig fotstilling og balanse til enhver tid.** Dette gir deg en bedre kontroll over el-verktøyet i uventede situasjoner.
- f. **Kle deg riktig. Ikke bruk løshengende klær eller smykker. Hold håret og klærne dine borte fra bevegelige deler.** Løshengende klær, smykker eller langt hår kan fanges i de bevegelige delene.
- g. **Dersom apparatet er levert med støvsuger- og støvoppfangertilkobling, skal disse være koblet til og brukt på en riktig måte.** Bruk av støvoppfanger kan redusere støvrelaterte farer.
- h. **Ikke la kjennskap som du har fått ved å bruke verktøy ofte gjøre at du blir selvtillfreds og ignorerer sikkerhetsprinsippene for verktøy.** En uoppmerksom handling kan forårsake alvorlige personskader i løpet av under ett sekund.

4. BRUK OG STELL AV EL-VERKTØY

- a. **Ikke overbelast el-verktøyet. Bruk et riktig el-verktøy for den jobben du skal gjøre.** Et riktig el-verktøy vil gjøre jobben bedre og sikrere i den hastigheten som det er konstruert for.
- b. **Ikke bruk el-verktøyet dersom bryteren ikke slår det på eller av.** Ethvert el-verktøy som ikke kan styres av bryteren er farlig og må repareres.
- c. **Koble støpselet fra strømkilden og/eller batteripakken fra el-verktøyet før du foretar justeringer, bytter tilbehør eller lagrer el-verktøyet.** Slike forebyggende sikkerhetstiltak reduserer risikoen for at el-verktøyet starter ved et uhell.
- d. **Oppbevar el-verktøy som ikke brukes utenfor barns rekkevidde, og ikke la personer som er ukjente med el-verktøyet eller disse instruksjonene bruke dette.** El-verktøy er farlige i hendene på uopplærte brukere.
- e. **Vedlikehold el-verktøyet Kontroller for feiljustering eller bevegelige deler som sitter fast, brudd på deler og enhver annen tilstand som kan påvirke el-verktøyets drift. El-verktøyet må repareres før bruk dersom det er skadet.** Mange ulykker er forårsaket fordi el-verktøyet er dårlig vedlikeholdt.
- f. **Hold skjæreverktøy skarpe og rene.** Skikkelig vedlikeholdte el-verktøy med skarp skjæreegg vil ikke sette seg fast så lett og er lettere å kontrollere.
- g. **Bruk el-verktøyet, dets tilbehør og verktøydeler osv. i henhold til disse instruksjonene, og ta hensyn til arbeidsforholdene og arbeidet som skal utføres.** Bruk av el-verktøyet for oppgaver som det ikke er beregnet for kan føre til farlige situasjoner.
- h. **Hold håndtakene tørre, rene og frie for olje og fett.** Glatte håndtak vil ikke gi en sikker håndtering og kontroll av verktøyet i uventede situasjoner.

5. SERVICE

- a. **Få servicen på el-verktøyet ditt utført av en kvalifisert fagmann, og bruk kun identiske reservedeler.** Dette vil sikre at sikkerheten til el-verktøyet opprettholdes.
- b. **Bruk kun originale deler for reparasjoner og vedlikehold.** Enhver bruk av inkompatibelt tilbehør eller reservedeler kan føre til elektriske støt eller andre personskader.

Symboler som brukes i denne veiledningen

V..... volt

A..... ampere

Hz..... hertz

W..... watt

~..... Vekselstrøm

n_0 nominell hastighet

min^{-1} omdreininger eller stempeltakt
per minutt



.....verktøy klasse II



.....advarsel om generell fare



.....les disse instruksjonene



.....bruk alltid øyebeskyttelse



.....bruk alltid støvmaske.



.....Bruk alltid hørselsvern



.....Bruk sikkerhetsgodkjent hjelm



.....FARE! Hold hendene unna skjæreområdet og bladet.



Ikke avhend elektrisk verktøy, tilbehør eller emballasje sammen med husholdningsavfall

Sikkerhetsvarsler for maskinavbrudd

- **Beskyttelsen som er levert med verktøyet må være sikkert festet til el-verktøyet og plassert slik at den gir maksimal sikkerhet, slik at minst mulig av skiven er eksponert mot operatøren. Su og tilskuerne må holde dere vekk fra planet til den roterende skiven.** Beskyttelsen beskytter operatøren mot løse fragmenter fra skiven, samt mot utilsiktet kontakt med skiven.
- **Bruk kun diamantskjæreskiver på el-verktøyet.** Bare fordi et tilbehør kan kobles til el-verktøyet, garanterer ikke det en sikker drift.
- **Tilbehørets nominelle hastighet må være minst lik den maksimale hastigheten som er merket på el-verktøyet.** Tilbehør som går raskere enn deres nominelle hastighet, kan ødelegges og fly fra hverandre.
- **Skivene må kun brukes til anbefalte bruksområdene. For eksempel: Ikke slip med siden på skjæringskiver.** Slipende avskjæringsskiver er beregnet for perifer sliping, sidekrefter som påføres disse kan føre til at de ødelegges.
- **Bruk alltid uskadede skiveflenser som har riktig diameter for den valgte skiven.** Riktige skiveflenser støtter skiven og reduserer dermed muligheten for skivebrudd.
- **Ikke bruk utslitte forsterkede skiver fra større el-verktøy.** Skiver som er beregnet for større el-verktøy er ikke egnet for den store hastigheten som et mindre verktøy har og kan ødelegges.
- **Utvendig diameter og tykkelsen på tilbehøret må være innenfor kapasitetshastigheten for ditt el-verktøy.** Man kan ikke beskytte seg mot eller kontrollere tilbehør med feil størrelse på en tilstrekkelig måte.
- **Akselstørrelsen på skiver og flenser må passe til spindelen på el-verktøyet.** Skiver og flenser med akselhull som ikke samsvarer med maskinvaren som monteres på el-verktøyet, vil miste balansen, vibrere for mye og kan føre til tap av kontroll.
- **Bikke bruk skadede skiver. Kontroller at skivene ikke har hakk og sprekker før hver bruk. Dersom**

el-verktøyet eller skiven faller ned, må det undersøkes at de ikke er skadet, eller montere en uskadet skive. Etter å ha inspisert og montert skiven, plasser deg selv og evt. tilskuere vekk fra den roterende skivens plan og kjør el-verktøyet med maksimal hastighet uten belastning i ett minutt.

Skadede skiver vil normalt dele seg i løpet av denne prøvetiden.

- **Bruk personlig verneutstyr. Avhengig av bruken, bruk ansiktsskjold, beskyttelsesbriller eller vernebriller. Ved behov, bruk støvmaske, hørselsvern, hansker og forkle som kan stoppe små slipe- eller arbeidsstykkefragmenter.** Øyevernet må kunne stoppe flygende rusk som genereres under de ulike arbeidsoppgavene. Støvmasken eller åndedrettsvernet må kunne filtrere partikler som genereres av arbeidet ditt. Langvarig eksponering for støy med høy intensitet kan medføre hørselstap.
- **Hold tilskuere på trygg avstand fra arbeidsområdet. Alle som beveger seg inn i arbeidsområdet må bruke personlig verneutstyr.** Fragmenter av arbeidsstykker eller ødelagt tilbehør kan slynges ut og forårsake personskader utover det umiddelbare driftsområdet.
- **Hold kun el-verktøyet i de isolerte gripeflatene når du utfører en arbeidsoppgave der skjæreutstyret kan få kontakt med skjulte ledninger eller med sin egen ledning.** Skjæreutstyr som kommer i kontakt med en "levende" ledning, kan føre til at metalldelene på el-verktøyet blir "levende" og kan gi brukeren et elektrisk støt.
- **Plasser ledningen unna det roterende tilbehøret.** Hvis du mister kontrollen kan ledningen kuttes eller hakkes, og hånden eller armen kan bli trukket inn i den roterende skiven.
- **Legg aldri fra deg el-verktøyet før tilbehøret har stoppet helt opp.** Den roterende skiven kan ta tak i underlaget, som gjør at du kan miste kontrollen.
- **Ikke la el-verktøyet gå mens du bærer det.** Ved utilsiktet kontakt med det roterende tilbehøret, kan det ta tak i klærne dine og dra tilbehøret mot i kroppen.
- **Rengjør el-verktøyets luftventilasjon regelmessig.** Motorens vifte vil trekke støvet inn i huset, og en overdreven opphopning av pulverisert metall kan innebære elektriske farer.
- **Ikke bruk el-verktøyet i nærheten av brennbare materialer.** Gnistene kan antenne disse materialene.

Rekyl og relaterte advarsler

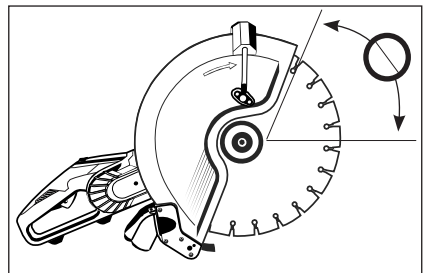
- Rekyl er en plutselig reaksjon på en skive som er klemt fast eller som hakker. Når den roterende skiven setter seg fast eller hakker vil det i sin tur forårsake at el-verktøyet blir dratt i den motsatte retningen av skivens rotasjon på tidspunktet når det setter seg fast. For eksempel, hvis en slipeskive hakker eller klemmes fast av arbeidsstykket, kan kanten av skiven som kommer inn i klemmepunktet grave seg inn i overflaten på materialet og kan føre til at skiven hopper ut. Skiven kan enten hoppe mot eller bort fra brukeren, avhengig av retningen for skivens bevegelse ved klemmepunktet. Slipeskiver kan også ødelegges i disse tilfellene. Rekyl er et resultat av misbruk av el-verktøyet og/eller feil bruksprosedyrer eller arbeidsforhold, og kan unngås ved å ta de riktige forholdsregler som angitt nedenfor.
- **Oppretthold et fast grep på el-verktøyet og plasser kroppen og armen slik at du kan motstå rekylkrefter. Bruk alltid hjelpehåndtaket dersom det finnes. Det vil gi maksimal kontroll over rekylen eller momentreaksjonen under oppstart.** Brukeren kan kontrollere momentreaksjonene eller rekylkreftene dersom de riktige forholdsreglene tas.
- **Ha aldri hånden i nærheten av roterende tilbehør.** Tilbehøret kan slå tilbake over hånden.
- **Ikke plasser kroppen din i linje med den roterende skiven.** Rekylen vil rotere verktøyet i den motsatte retningen til skivens bevegelse på hakkepunktet.
- **Utvis spesiell forsiktighet når du arbeider med hjørner, skarpe kanter, osv. Unngå at tilbehøret hopper eller hakker.** Hjørner, skarpe kanter eller hoppende bevegelser har en tendens til å lage hakk i det roterende tilbehøret og forårsake tap av kontroll eller rekyl.

- **Ikke fest et sagkjede, snekkerblad, eller en segmentert diamantskive med en perifer klaring over 10 mm eller tannet sagblad.** Slike blad gir hyppige rekyl og tap av kontroll.
- **Ikke sett fast skjæreskiven eller påfør for mye trykk. Ikke forsøk å utføre et overdreven dypt kutt.** Overbelastning av skiven øker muligheten for at skiven for å vrir seg eller setter seg fast i kuttet, samt muligheten for tilbakeslag eller skivebrudd.
- **Dersom skiven har satt seg fast eller hvis du avbryter et kutt av en eller annen grunn, må du slå av el-verktøyet og holde det helt rolig til skiven har stoppet helt opp. Forsøk aldri å fjerne avskjæringskiven fra kuttet mens skiven er i bevegelse, da det kan medføre rekyl.** Finn årsaken til at skiven satte seg fast og foreta korrigerende tiltak for å eliminere den.
- **Ikke start opp igjen skjærearbeidet i arbeidsstykket. La skiven komme opp i maksimal hastighet og deretter la det forsiktig gå inn i kuttet igjen.** Skiven kan sette seg fast, gå opp eller rekylere dersom el-verktøyet startes opp igjen i arbeidsstykket.
- Bruk støttebord eller ethvert overdimensjonert arbeidsstykke for å minimere risiko for klemming og rekyl av skiven. Store arbeidsstykker har en tendens til å synke under egen vekt. Det må plasseres støtter **under arbeidsstykket nær kuttlinjen og nær kanten av arbeidsstykket på begge sider av skiven.**
- **Bruk ekstra forsiktighet når du gjør en "utskjæring" i eksisterende vegger eller andre tette områder.** Den gjennomtrengende skiven kan kutte av gass- eller vannrør, elektriske ledninger eller gjenstander som kan forårsake rekyl.

Avskjæringsmaskin sikkerhetsadvarsler - Ytterligere sikkerhetsregler

ADVARSEL: Unngå å skjære i bladets øvre kvadrant, spesielt når du begynner skjæringen. Det er overhengende sannsynlig at dette området vil føre til rekyl.

ADVARSEL: Ved skjæring av plast, må du ikke la plasten smelte. Dersom plast smelter, kan den feste seg til bladet og føre til rekyl.

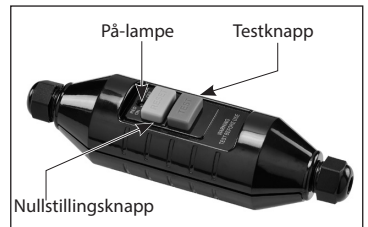


ELEKTRISK TILKOBLING

Nettspenningen må samsvare med spenningen som er angitt på verktøyet navneskilt. Verktøyet må ikke under noen omstendigheter brukes dersom strømledningen er skadet. En skadet ledning må straks skiftes ut av et autorisert servicesenter. Ikke forsøk å reparere ledningen selv. Bruk av skadede strømledninger kan føre til elektrisk støt.

ADVARSEL: Bruk aldri en skadet maskin. Merk alltid en skadet maskin og ta den ut av bruk til den er reparert.

ADVARSEL: Disse maskinene er utstyrt med en bærbar reststrømsenhet (PRCD), også kjent som en jordfeilbryterbryter (GFCI). Bruk alltid denne enheten når du bruker maskinen for å redusere risikoen for støtfarer. Plasser alltid PRCD så nære som mulig opp til strømkilden. Test og nullstill PRCD-en før hver



Merk: PRCD (GFCI)-utseende varierer i henhold til kravene i ulike regioner. Bilder kun for referanse.

bruk. Trykk på “Test”-knappen for å teste. Trykk på “Tilbakestilling”-knappen for å aktivere kretsen til maskinen.

INTRODUKSJON

Denne maskinen er utstyrt med to håndtak og et bladvern. Motoren har beskyttelse mot overbelastning og overoppheting. Den har et integrert vanntilførselssystem som er påkrevd for diamantskjæring og har en bærbar reststrømsenhet (PRCD) for elektrisk sikkerhet. Den må kun brukes med et diamantblad eller slipeskive. Den er beregnet for skjæring i mur, stein, betong, armert betong og lignende materialer. All annen bruk er forbudt.

INNHOLDSFORTEGNELSE

- Betongsag
- Montering styrerulle
- M17 kombinasjonsnøkkel
- Sprutvern
- Sett for skjæring i flukt

MONTERING

- Monter på bladet (Se under “Montering av bladet”)
- Monter styrerullemonteringen hvis ønskelig (Se under “Montering av styrerulle”)
- Monter bladvernsbørsten (Se under “Bladvernsbørste” for monteringsanvisninger)
- Monter sprutvernet (Se under “Bladvernsbørste” for monteringsanvisninger)

Diamantblad

Tillatte bladtyper

Denne maskinen kan kun benytte diamantblad eller slipeskiver

- Bruk kun enten diamantblad med segmentert eller kontinuerlig omkrets
- Hvis diamantbladene er segmenterte, er den maksimale tillatte perifere klaringen mellom segmentene 10 mm og må ha en negativ rakevinkel.
- Det kan kun benyttes diamantsagblad på 405 mm (16”) eller mindre.
- Tykkelsen på bladet må være minst 2,4 mm og ikke mer enn 6,35 mm.

* Tykkelsen på bladets kjerne må være minst 2,2mm og ikke mer enn 3,5mm.

Lagring og transport av blad

Ikke lagre eller transporter maskinen med bladet montert. Fjern bladet og oppbevar det på en slik måte at de er beskyttet mot å bli bøyd eller skadet når maskinen ikke er i bruk.

Et skadet blad kan forårsake feil driftstilstand, dette kan forårsake ubalanse og føre til en risikosituasjon. Sjekk

alltid om nye blad er blitt skadet under lagring eller transport.

Om diamantblad

Diamantblader består av en kjerne av stål med diamantsegmenter lagt til omkretsen

Diamantblad er tilgjengelige for forskjellige hardheter av murverk, stein, betong, armert betong, osv.

Noen diamantblad er kun beregnet for våtbruk, mens andre er beregnet for å brukes tørre. Se bladprodusentens anvisninger.

Generelt, selv om bladet er spesifisert som type tørt blad, virker diamantverktøy alltid bedre når de er våte, og tørr skjæring skal begrenses til situasjoner der vann ikke kan eller ikke bør brukes. Vann vil forhindre bladet fra overoppheting, betraktelig redusere mengden skadelig støv som oppstår under skjæringen, fjerne slammet fra kuttet og forlenge bladets levetid. Tørrskjæring av svært harde materialer som porselen eller armert betong vil føre til rask slitasje av verktøyet og mulige feil.

De diamantimpregnerte segmentene opererer på prinsippet om kontrollert erosjon. Bindemiddelet som holder diamantene blir kontinuerlig slitt av ved slitasjen mot arbeidsstykket, og gjør at de hardere diamantene står ut av bindemiddelet. Blader som er laget for å skjære hardere materialer vil ha en mykere binding, slik at diamantene vises mer aggressivt (men vil ikke vare like lenge). Blader laget for å skjære i mykere, slipende materialer vil ha en hardere binding, slik at de kan motstå slitasje av materialet og dermed vare lenger. Med nok erosjon av bindemiddelet (diamantene ikke eksponert) og bladet blir dødt. Dette kalles "glazing". Dersom det virker som om bladet nekter å skjære mer er det "glazed".

Se under: "Slipe et "glazed" blad"

Bruk aldri brå bevegelser. De vil skade bladet. På den annen side må du ikke være for forsiktig, da diamantsegmentene kan bli "glazed". La bladet arbeide jevnt.

Pass nøye på å holde bladet vinkelrett på kuttet. Hvis bladet er bøyd. Vil det sette seg fast lettere. Vær ekstra forsiktig når du treffer på stål i armert betong. Reduser trykket med omtrent 1/3 og la bladet gå av seg selv. Dersom det oppstår for mye vibrasjon kan bladet ødelegges. Fortsett som normalt etter at du har passert stålet.

MERK: Bruk aldri en våt type diamantblad uten vann. Det vil overopphetes og ødelegges.

MERK: Ikke la blad for tørr bruk overopphetes under bruk. Det er best å ikke skjære lenger enn i 60 sekunder om gangen, med 10 sekunders kjølings nedkjølingstid i luften i mellom.

Monter alltid bladet med pilen i samme retning som maskinens rotasjon. (En retningspil er markert på bladvernet).

ADVARSEL: Bruk aldri bladene for å skjære i materiale som er forskjellig fra materialet som de er beregnet for.

SLIPE ET "GLAZED" BLAD

Diamantblad kan bli "glazed" (døde). Når diamantsegmentene er "glazed", vil bladets skjæreevne minskes og segmentene vil overopphetes. For å slipe bladet, skru ned vanntilførselen og gjør noen kutt i et veldig mykt, slipemateriale som murstein eller slipestein av aluminiumoksid eller silisiumkarbid.

MONTERING AV BLADET

Sjekk først at maskinen ikke er tilkoblet strøm.

Deretter sett på en 17 mm kombinasjonsnøkkel på akselbolten og skru akslene mens du trykker på aksellåsen. Når akselen når den riktige posisjonen vil aksellåsen kunne slå inn. Deretter kan akselbolten løsnes og den ytre flatflensen fjernes.

Den indre flensen på denne maskinen er 1", (254 mm). Sjekk den indre flensen for å være sikker på at størrelsen passer til hullet i bladet.

Inspiser bladet før bruk. Det må ikke være sprukket, skjevt eller skadet på noen måte som kan forårsake risiko under bruk. Løse diamantsegmenter kan bli slynget ut med stor hastighet og forårsake mulige personskader. Kontroller alltid at diamantsegmentene ikke er for små. Hvis diamantsegmentene er tynnere eller nesten tynnere enn bladkjernen, vil kuttet bli for smalt og kan lett føre til rekyl.

Kontroller at flensene og bladhullet er rene og uskadede, og at de passer riktig sammen. Flensene må ikke brukes hvis de er vridd, overflaten er ujevn, med hakk eller hvis de er skitne. Akselbolten og Akselgjengene må være uskadet. Sjekk at bladene ikke har skader på segmentene, skader på akselhullet eller annen skade som kan gjøre dem farlige å bruke.

Den utstående kanten av den indre flensen skal vende mot bladet. Deretter sett på bladet på den indre flensen og legg til den ytre flensen. Sett på akselbolten og stram til 15 - 25 Nm.

ADVARSEL: Ikke prøv å feste et blad som ikke stemmer overens med maskinvaren som det skal festes til. Det vil føre til eksentrisk kjøring og vibrasjoner som vil være ukontrollerbare.

JUSTERING AV BLADVERNET

Bladet roterer med urviseren sett fra akselenden. Derfor vil det meste av skjærestøvet, gnister og slam bli kastet bakover. Derfor må bladvernet justeres slik at dens bakre ende er i flukt med arbeidsstykket.

FOR Å JUSTERE

Trekk først ut låsespaken mot fjærspenningen, deretter drei bladvernet til den ønskede posisjonen. Tillat låsespaken å gå inn i nærmeste spor i vernet for å låse den på plass.



BØRSTE FOR BLADVERNET

Det er plassert en avtakbar børste bakerst på vernet for å stoppe gnister, støv, rester og slam. Den monteres ved bare å skyve børsten inn i sporet i bunnen av støvportbraketten til den klikker på plass. Denne børsten kan trekkes rett ut for utbytting når den er utslitt.

SPRUTVERN

Det fjærbelastede sprutvernet er nyttig for å bidra til å stoppe slam som spruter ut på baksiden.

Den monteres ved å klikke den på plass på baksiden av støvportbraketten. For å fjerne den, bøyer den oppover til den løsner.

Dersom sprutvernet ikke er nødvendig å bruke, for eksempel ved tørrskjæring, kan den klikkes oppover og ute av veien. Bare sett hannklemmen på klaffen med hunnklemmen på festet. Løs opp klemmen for å løsne den.

TILKOBLING AV VANN

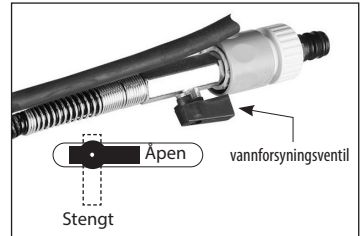
Bruk av vann er et grunnleggende krav for diamantsaging med diamantblad av våt type. Vannet virker som en kjølevæske for å unngå at arbeidsflaten for diamantsegmentene overoppheves.

Vann holder også støvet nede og spyles bort avslippte partikler.

ADVARSEL: Bruk alltid PRCD (GFCI) når du skjærer med vann

ADVARSEL: La aldri vann komme inn i motoren. Det kan føre til elektrisk støt.

ADVARSEL: Kontroller alle tilkoblingene i vanntilførselsystemet for å sikre at det ikke finnes lekkasjer. Sjekk slanger og andre kritiske deler som kan slites ned.



ADVARSEL: Maksimalt vanntrykk skal ikke overstige 70 psi (4 bar).

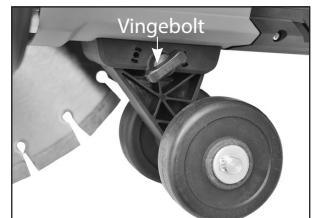
Bruk en vannopsamler med en våtstøvsuger for å samle opp kjølevannet hvis nærliggende gjenstander kan bli vannskadet. Vannforsyningssystemet er innebygget i maskinen. For å koble til vannforsyningen, trekk først i kragen til hurtigutløsningen for å fjerne vanntilkoblingens hunnside. Skru deretter ut mutteren og sett på koblingen til vannslangen. Koble deretter til vannkoblingen igjen til vannforsyningsventilen. Trykk til den klikker på plass.

Vannstrømmen kontrolleres av vannforsyningsventilen. Vannet som tilføres bladet må justeres nøye til den riktige mengden.

MERK: Forurensninger i vannforsyningen kan lett føre til forstoppelse i de små munnstykkene i bladvernet. Sørg for at vannet som forsynes er rent. Hvis du oppdager at det ikke er noen vannstrøm til bladet, må du rengjøre vannforsyningssystemet på maskinen.

MONTERING STYRERULLE

Styrerullene gjør det lettere å holde bladets plan vinkelrett på arbeidsstykket. For montering må du løsne vingebolten litt og feste de fire klørne med de fire festeøyene på bunnen av motorhuset. Stram deretter vingebolten.



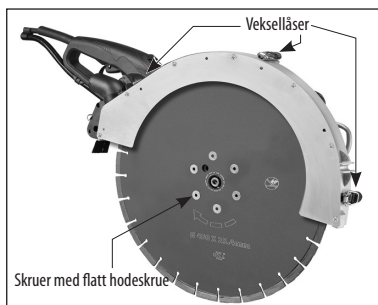
SETT FOR SAGING I FLUKT, INSTRUKSJONER

INNLEDNING

Settet for saging i flukt gjør det mulig å montere et blad for saging i flukt (følger ikke med) på maskinen. Dette tillater saging i flukt mens det ytre bladvernet er midlertidig fjernet.

INNHALDSFORTEGNELSE

1. Flens for saging i flukt
2. Akselbolt og skive
3. 6 flathodede skruer
4. M5 L-sekskantnøkkel
5. M8 L-sekskantnøkkel
6. Deksel for saging i flukt og 7 flathodeskruer



MONTERING

For å montere settet for saging i flukt, fjern først standard akselbolt, flens og blad i henhold til brukerhåndboken.

1. Fjern vannslangen fra vanddysen på det ytre bladvernet og koble den til den alternative vanddysen på det indre bladvernet.
2. Ta av sprutebeskyttelsen og fjern de 7 skruene som holder det ytre bladvernet på plass.
3. Løsne de 3 klemmene og putt de løse haspene i plastklemmene for å unngå rasling.
4. Løft av det ytre bladvernet og oppbevar det på et trygt sted.
5. Monter flensen for saging i flukt på spindelen og sikre med skiven og akselbolten. Stram akselbolten med M8 L-sekskantnøkkel.



ADVARSEL: Ikke bruk avstandsstykker eller flens under flensen for jevn saging!

6. Monter bladet for saging i flukt på flensen, innrett hullene til gjengene på de flathodede skruene. Stram skruene jevnt og diagonalt med M5 L-sekskantnøkkel.
7. Monter dekselet for saging i flukt og stram de 7 flathodede skruene.

ADVARSEL: Må ikke brukes uten at dekselet for saging i flukt er montert.

8. Når sagingen i flukt er fullført må sagen umiddelbart returneres til sin originale konfigurasjon.

MERK: Det er omtrent 1 mm eller mindre effektiv forskyvning (avhengig av hvor tykke diamantsegmentene er).

Men ettersom bladvernet har noe fleksibilitet vil det bli helt flatt hvis man trykker lett ned. Ved faktisk kutting blir det 100% i flukt. Det må være en liten grad av forskyvning så bladet ikke lager virvlermerker på underlaget i tilfeller hvor dette har betydning. Så for å unngå virvlermerker, ikke bruk makt, og for å oppnå 100% flukt, bruk

litt makt.

ADVARSEL: Bruk alltid med det ytre bladvernet på plass ved standard saging. Aldri bruk sagen med det ytre bladvernet fjernet, unntatt ved operasjoner for saging i flukt.

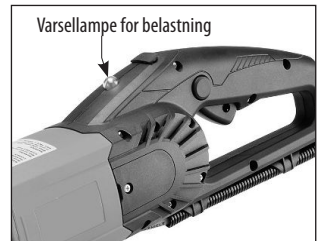
ADVARSEL: Sjekk jevnlig at monteringskruene og akselskruen er stramme.

ADVARSEL: Hvis det oppstår uvanlig vibrasjon under bruk, avbryt umiddelbart og finn årsaken før du fortsetter.

OVERBELASTNINGSVERN, OVEROPPHETINGSVERN

Varsellampe for overbelastning og belastning

Når full belastning er nådd vil varsellampen for belastning blinke rødt. Dersom full belastning er overskredet og opprettholdt for lenge, vil motoren slå seg av og varsellampen for belastning vil lyse kontinuerlig rødt. I dette tilfelle må motoren først slås av og deretter startes på nytt.



Termisk vern mot overoppheting.

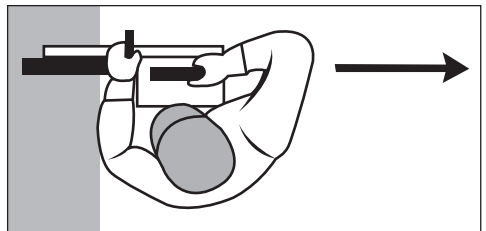
Dersom motorens temperatur blir for høy, vil det termiske vernet slå av motoren. Bryteren må først slås av og deretter startes på nytt. Hvis dette skjer, ikke begynn skjæringen med én gang etter å ha startet opp igjen motoren. Kjør alltid maskinen uten belastning i noen minutter for å gjenvinne normal temperatur før du fortsetter.

FORSIKTIG: Motoren vil bli skadet dersom den overbelastes eller overopphetes gjentatte ganger. Kjør alltid motoren uten belastning i noen minutter for å kjøle den ned dersom den har stoppet på grunn av enten overoppheting eller overbelastning.

DRIFT

Hvordan holde i maskinen

- Hold alltid maskinen med begge hender, med høyre hånd på hovedhåndtaket og venstre hånd på sidehåndtaket. (Dette gjelder også selv om brukeren er venstrehendt)
- Stå aldri på linje med bladet. Rettere sagt, stå slik du ikke vil være i bladets bane dersom det rekylerer.
- Len det aldri over bladets bane. Det vil føre til at kroppen din vil befinne seg i bladets bane.
- Skjær aldri over skulderhøyde.
- Skjær aldri mens du står på en stige eller på en ustabil plattform.

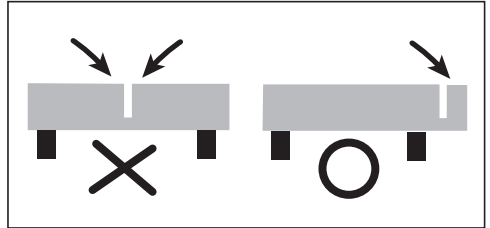


Før skjæring

- Sjekk området der skjæringen skal utføres for å sikre at det ikke finnes gjenstander som gjør at brukeren kan snuble.
- Det kan ofte være lurt å merke skjærelinjen med kritt eller lignende før du begynner. En treplanke også være nyttig for å styre maskinen slik at den skjærer rett.
- Sørg for at alle tilskuere befinner seg på sikker avstand.
- Sørg for at alt sikkerhetsutstyr er på plass.

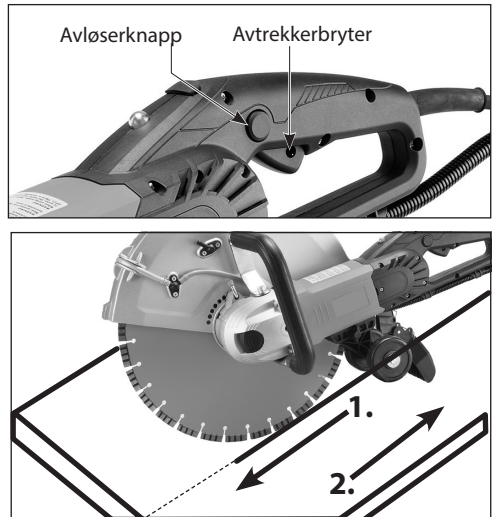
Egen støtte for arbeidsstykket

- Støtt opp arbeidsstykket på en slik måte at kutet ikke vil klemme fast bladet.
- Sørg for at arbeidsstykket ikke vil rulle, gli unna eller forflytte seg på grunn av vibrasjoner under skjæringen.
- Skjæresekvensen er viktig når man lager utskjæringer. Lag alltid det siste skjæret slik at bladet ikke blir klemt. Lag derfor det nedre horisontale skjæret først, deretter sidene og til slutt det øvre horisontale skjæret.
- Ta hensyn til vekten av arbeidsstykket og retningen som det faller i når skjæringen er ferdig.
- Når det finnes en situasjon der delingen av arbeidsstykket vil føre til en farlig situasjon, la det være igjen litt helt materiale og gjør ferdig arbeidet med en meisel eller lignende.



Skjæreteknikk

- Trykk på avløserknappen og deretter avtrekkerbryteren mens du holder maskinen med begge hendene for å motstå oppstartmomentet.
- La maskinen komme opp i full hastighet før kontakten med arbeidsstykket.
- Kontroller vannstrømmen ved å dreie på vannforsyningsventilen.
- Dette begynner skjæringen med den bakre delen av bladet til skjæret er etablert. Gjør det første skjæret i retning framover (slik at du kan se skjærelinjen). Deretter utfør de følgende skjærene bakover.
- Ikke prøv å skjære for dypt i én passering. Overskrid aldri omtrent 50 mm (2") per passering.
- Det er en god idé å først lage et grunt styrespor før du går i gang med hovedskjæringen. Dersom det er nødvendig med korreksjoner. Løft bladet og skjær litt fremover og deretter tilbake i det eksisterende kuttet. Pass på å unngå at bladet klemmes.
- På runde arbeidsstykker er den beste teknikken å bruke en langsom, jevn bevegelse frem og tilbake mens



du skjærer med bladets nedre kvadrant.

- Ikke la maskinen falle nedover. Begrens trykket på maskinen for å holde bladrotasjonen på en høy hastighet.
- Påfør aldri sidebelastning på bladet i skjæret.
- Betongskjæring er meget belastende på motoren: Det er god praksis å la maskinen gå uten belastning en liten stund etter at skjæringen er ferdig, for å senke motortemperaturen.

Å stoppe

Slipp avtrekkeren for å stoppe maskinen. Etter at avtrekkeren er sluppet vil bladet fortsette å gå rundt i en tid.

ADVARSEL: Ikke sett ned maskinen før bladet har stoppet å rotere.

Merk: Sørg alltid for at støvsugerens støvpose ikke er for full. En overfylt støvpose til ha redusert støvoppsamlereffektivitet som kan resultere i svak støvkontroll.

VEDLIKEHOLD OG RENGJØRING

Maskinen brukes under svært tøffe forhold. Slammet som oppstår ved våtskjæring og støv som oppstår ved tørrskjæring, suges inn i motorens kjøleåpninger og går inn i motoren. Slammet fra murstein og betong inneholder salter og andre korroderende stoffer som vil forkorte levetiden til motoren eller forårsake elektriske kortslutninger hvis det tillates akkumulert.

Derfor er det meget viktig for verktøyets levetid at det blir skikkelig rengjort etter hver bruk. Trykkluft skal blåses gjennom maskinens kjøleåpninger på baksiden av maskinen mens motoren går.

Daglig vedlikehold

1. Hold maskinen ren
2. Forsikre deg om at strømledningen er i god stand.
3. Forsikre deg om at alle skruer er festet.
4. Sjekk tilstanden for alt sikkerhetsutstyr som bladvernet.
5. Sjekk at bladet ikke er skadet.

Karbonbørster

Karbonbørstene er en vanlig slitasjedel og må byttes når de når slitasjegrensen. Denne maskinen er utstyrt med autostopp karbonbørster. Hvis maskinen stopper uventet, bør børstene sjekkes. Autostopp-børsteteknologien beskytter motoren ved å stoppe maskinen før karbonbørstene er helt utslitt.

Forsiktig: Skift alltid ut børstene parvis.

For å erstatte

1. Fjern skruen og fjern børstedekselet.

—NO—

2. Drei børstefjæren vekk ved hjelp av en tang, og skyv den gamle karbonbørsten ut av børsteholderen.
3. Fjern skruen og fjern børsteledningen. Den gamle karbonbørsten kan nå løftes opp.
4. Monter innen ny børste. Monteringen er omvendt prosedyre til fjerningen.
5. Sett på børstedekselet igjen.



Dersom det er behov for å bytte ut strømledningen, må dette utføres av produsenten eller dennes forhandler for å unngå sikkerhetsrisiko.

ADVARSEL: Alle reparasjoner må utføres av et autorisert servicesenter. Feil utførte reparasjoner kan føre til personskader eller død.

Ikke kast el-verktøy sammen med husholdningsavfall!

I henhold til EU-direktivet 2002/96/EG om avhending av elektrisk og elektronisk utstyr samt samsvar med nasjonal lovgivning, må brukt elektrisk drevet verktøy oppsamles separat og resirkuleres på en miljøvennlig måte.

Informasjon om støy/vibrasjoner

Målt i henhold til EN 60745-2-22

Modell nr. : C16

Støynivå: Lydtrykknivå(L_{pA}): 105,0 dB(A) Lydeffektnivå(L_{WA}): 116,0 dB(A) K= 3,0 dB

Vibrasjonsnivå: $a_h = 3,9 \text{ m/s}^2$ $K = 1,5 \text{ m/s}^2$

Vibrasjonsutslippsnivået er målt i samsvar med en standardisert test gitt i EN 60745; Det kan brukes til å sammenligne ett verktøy med et annet, og som en foreløpig vurdering av eksponering for vibrasjon når du bruker verktøyet for de nevnte bruksområdene

- under bruk av verktøyet for forskjellige bruksområder, eller med annet eller dårlig vedlikeholdt tilbehør, kan øke eksponeringsnivået betydelig
- når verktøyet er slått av eller når det går, men egentlig ikke gjør jobben, kan senke eksponeringsnivået betydelig

Beskytt deg mot virkningen av vibrasjon ved å vedlikeholde verktøyet og dets tilbehør, holde hendene varme og organiser arbeidsmåten din

CE-Samsvarserklæring

•Vi erklærer på eget ansvar at dette produktet er i samsvar med følgende standarder eller standardiserte dokumenter: EN 60745-1: 2009 + A11: 2010 & EN 60745-2-22: 2011 + A11: 2013, EN 61000, EN 55014 i samsvar med forskriftene 2006/42/EC, 2014/30/EU, 2011/65/EU

•Teknisk fil finnes hos: LEE YEONG INDUSTRIAL CO., LTD., NO.2, KEJIA RD., DOULIU CITY, YUNLIN COUNTY 64057, TAIWAN

You-Chun, Liu
Operation & Engineering

You Chun Liu

Chih-Hao, Lai
Approval Manager

chih hao lai

LEE YEONG INDUSTRIAL CO., LTD.,
NO.2, KEJIA RD., DOULIU CITY, YUNLIN COUNTY 64057, TAIWAN 12.30.2016

LEE YEONG INDUSTRIAL CO., LTD.

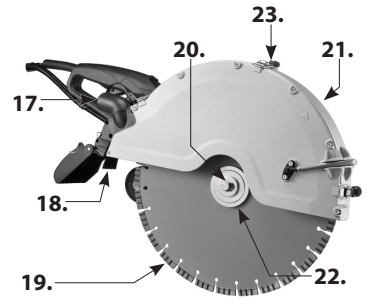
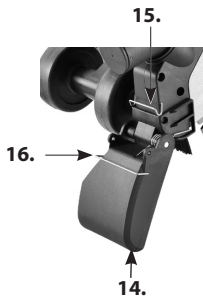
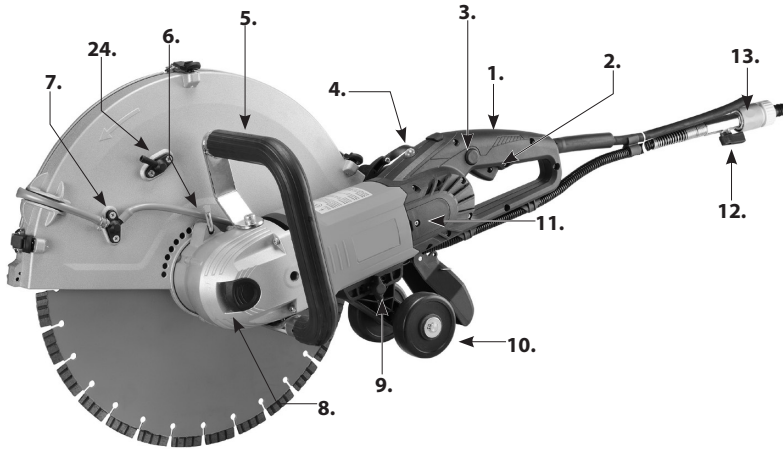
NO.2, KEJIA RD., DOULIU CITY,
YUNLIN COUNTY 64057, TAIWAN

TEL: 886-5-5518689 (REP)

Fax: 886-5-5518635

SPECIFIKATIONER

Modell	C16
Ineffekt	230 V: 2700 W (verklig 3200 W), 115 V: 2300 W (verklig 3000 W)
Spänning	220-240 V~50/60 Hz, 110-120 V~50/60 Hz (se typskylten)
Nominell hastighet	n=3900 min ⁻¹
Klingans diameter	405 mm (16 tum)
Spindel	25,4 mm (1")
Max. sågdjup	150 mm (6 tum)
Vikt	9,6 kg (21,1 lb.) (10 kg (22,2 lb.) med styrhjul)



- 1. Huvudhandtag
- 2. Avtryckare
- 3. Spärrknapp
- 4. Belastningsvarningslampa
- 5. Sidohandtag
- 6. Låsspak för klingskydd
- 7. Vattenmunstycke
- 8. Spindellåsknapp
- 9. Vingskruv
- 10. Hjulfäste
- 11. Motorskydd
- 12. Vattenventil

- 13. Vattenkoppling
- 14. Stänkskydd
- 15. Honclip
- 16. Handclip
- 17. Vakuumport
- 18. Klingskyddsborste
- 19. Diamantklinga
- 20. Spindelbult
- 21. Klingskydd

- 22. Ytterfläns
- 23. Spänne
- 24. Alternativt vattenmunstycke

Allmänna säkerhetsföreskrifter



VARNING! Läs alla varningar och instruktioner. Underlåtenhet att följa alla varningar och instruktioner kan orsaka elolyckor, brand och/eller allvarliga personskador.

Spara alla varningar och instruktioner för framtida bruk.

Ordet "elverktyg" i varningarna avser ditt nätdrivna (sladdförsedda) elverktyg eller batteridrivna (sladdlösa) elverktyg.

1. SÄKERHET PÅ ARBETSOMRÅDET

- a. **Håll arbetsytan ren och väl upplyst.** Stökiga eller mörka områden ökar risken för olyckor.
- b. **Använd inte elverktyg i explosiva miljöer, t.ex. i närheten av lättantändliga vätskor, gaser eller damm.** Elverktyg orsakar gnistor som kan antända damm eller ångor.
- c. **Håll barn och kringstående på avstånd vid arbete med elverktyg.** Distractioner kan göra att du tappar kontrollen över verktyget.
- d. **Lämna aldrig elverktyg utan uppsikt.** Lämna först maskinen när verktyget har stannat helt.

2. ELSÄKERHET

- a. **Elverktygets kontakt måste överensstämma med eluttaget. Modifiera inte kontakten på något sätt. Använd inte kontaktadapter med jordade elverktyg.** Omodifierade kontakter och motsvarande uttag minskar risken för elektriska stötar.
- b. **Undvik kroppskontakt med jordade ytor som rör, värmeelement, spisar och kylskåp.** Risken för elolyckor ökar om din kropp är jordad.
- c. **Utsätt inte elverktyg för regn eller fukt.** Tränger vatten in i ett motordrivet verktyg ökar risken för elolyckor.
- d. **Var försiktig med sladden. Använd aldrig sladden för att bära, dra i eller koppla ur elverktyget. Håll sladden borta från värme, olja, vassa kanter eller rörliga delar.** Skadade eller snärjda elkablar ökar risken för elolyckor.
- e. **Om du använder ett elverktyg utomhus kan du använda en lämplig skarvsladd för utomhusbruk.** En skarvsladd för utomhusbruk minskar risken för elektriska stötar.
- f. **Om elverktyget måste användas på en fuktig plats ska jordfelsbrytare användas.** En jordfelsbrytare minskar risken för elolyckor.

3. PERSONLIG SÄKERHET

- a. **Var uppmärksam, kontrollera vad du gör och använd sunt förnuft när du använder ett elverktyg. Använd inte elverktyg om du är trött eller påverkad av droger, alkohol eller läkemedel.** Ett ögonblick av ouppmärksamhet medan du arbetar med elverktyg kan orsaka allvarliga personskador.
- b. **Använd personlig skyddsutrustning. Bär alltid ögonskydd.** Lämplig skyddsutrustning såsom dammfilterskydd, halkfria säkerhetsskor, hjälm eller hörselskydd minskar risken för personskador under normala omständigheter.
- c. **Förhindra oavsiktlig start. Kontrollera att strömbrytaren är frånslagen innan du ansluter verktyget till strömkällan och/eller batteriet, eller lyfter upp och bär verktyget.** Att bära elverktyget med fingret på strömbrytaren eller att strömsätta elverktyg som är påslagna kan orsaka en olycka.

- d. **Avlägsna alla nycklar innan du sätter på elverktyget.** Om nycklar lämnas anslutna till en roterande del på elverktyget kan detta orsaka personskador.
- e. **Sträck dig inte för långt. Stå stadigt och se till att ha ordentligt fotfäste.** Detta hjälper dig att ha bättre kontroll över elverktyget i oväntade situationer.
- f. **Klä dig rätt. Bär inte löst sittande kläder eller smycken. Håll hår och kläder borta från rörliga delar.** Lösa kläder, smycken eller långt hår kan fastna i rörliga delar.
- g. **Om tillbehör ingår som ska anslutas för dammsugning och dammuppsamling, ser du till att dessa är anslutna och används på rätt sätt.** Att använda dammsugning minskar risken för dammfaror.
- h. **Även om du använder ett verktyg ofta får du inte låta gammal vana göra att du ignorerar dess säkerhetsregler.** Bara ett ögonblicks vårdslöshet kan orsaka allvarliga personskador.

4. ANVÄNDNING OCH SKÖTSEL AV ELVERKTYG

- a. **Forcera inte elverktyget. Använd rätt elverktyg för ditt syfte.** Rätt elverktyg kommer att utföra jobbet på ett bättre och säkrare sätt, och i den takt för vilken det är konstruerat.
- b. **Använd inte elverktyget om strömbrytaren inte fungerar.** Elverktyg som inte kan kontrolleras med strömbrytaren är farliga och måste repareras.
- c. **Koppla bort elverktyget från strömkällan och/eller batteriet innan du gör några justeringar, byter tillbehör eller placerar elverktyget i förvaring.** Dessa säkerhetsåtgärder minskar risken för att elverktyget startas av misstag.
- d. **Förvara strömsatta elverktyg utom räckhåll för barn och låt inte personer som inte är bekanta med elverktyget och dess instruktioner använda det.** Elverktyg är farliga i händerna på utbildade användare.
- e. **Underhåll av elverktyg. Kontrollera verktyget för att upptäcka eventuell felaktig inriktning eller kärvning av rörliga delar, trasiga delar och alla andra förhållanden som kan negativt påverka elverktygets funktion. Om det är skadat måste elverktyget repareras innan det används.** Många olyckor orsakas av dåligt underhållna elverktyg.
- f. **Håll kapverktyg vassa och rena.** Ordentligt underhållna kapverktyg med vassa skärkanter kärvar i allmänhet inte och är lättare att styra.
- g. **Använd elverktyget, tillbehör och verktygsinsatser i enlighet med dessa anvisningar med hänsyn till arbetsförhållanden och arbetet som ska utföras.** Att använda elverktyg i annat än dess avsedda syfte kan vara farligt.
- h. **Håll handtagen rena och fria från olja och fett.** Hala handtag innebär att verktyget inte är säkert hantera och kan hanteras precis i oföväntade situationer.

5. SKÖTSEL

- a. **Se till att verktyget underhålls av en kvalificerad reparatör som enbart använder identiska reservdelar.** Detta säkerställer att elverktyget förblir säkert att använda.
- b. **Använd enbart originaldelar för reparationer och underhåll.** Inkompatibla tillbehör eller reservdelar kan orsaka olyckor eller personskador.

Symboler som används i den här manualen

V..... volt

A..... ampere

Hz.....hertz

W..... watt

~..... växelström

n_0 nominellt varvtal

min^{-1} varv eller reciproka rörelser
per minut



..... klass-II-verktyg



.....allmän fara



.....läs dessa instruktioner



.....bär alltid ögonskydd



.....bär alltid dammfilterskydd.



.....bär alltid öronskydd



.....bär alltid en godkänd skyddshjälm



.....FARA! Håll händerna borta från arbetsområdet
och klingan.



kasta inte elverktyg, tillbehör eller
förpackningsmaterial som hushållsavfall

Säkerhetsvarningar för kapverktyg

- **Skyddet som kommer med verktyget måste sitta säkert i elverktyget och måste placeras så att de ger största möjliga skydd och så lite som möjligt av klingan är blottad mot användaren. Se till att varken du eller någon kringstående står framför den roterande klingan.** Skyddet förhindrar att användaren träffas av bitar av klingan eller kommer i kontakt med klingan.
- **Använd enbart diamantringor med ditt elverktyg.** Bara för att ett tillbehör passar ditt elverktyg, innebär det inte att det är säkert att använda.
- **Tillbehörets nominella varvtal måste vara minst lika med elverktygets nominella varvtal.** Tillbehör som körs snabbare än sin nominella hastighet kan gå sönder och slungas iväg.
- **Klingorna får enbart användas i avsett syfte. Till exempel får du inte slipa med sidan av en sågklinga.** Slipklingor är avsedda för kantslipning, och om man lägger kraft på sidan av dem kan det orsaka att de spricker.
- **Använd alltid hela flänsar med rätt diameter för klingan.** Flänsar av rätt storlek håller fast klingan och minskar risken för att den går sönder.
- **Använd inte nedslitna klingor från större elverktyg.** Dessa klingor är avsedda för större elverktyg och är inte lämpliga för mindre elverktygs höga hastigheter, och riskerar att gå sönder.
- **Tillbehörets ytterdiameter och tjocklek måste överensstämma med ditt elverktygs specifikationer.** Tillbehör av fel storlek är inte säkra och kan vara svåra att kontrollera.
- **Klingorna och flänsarnas hål måste passa elverktygets spindel.** Klingor och flänsar med hål som inte passar elverktygets spindel kommer att vara felbalanserade, vibrera kraftigt och kan orsaka att användaren tappar kontrollen över verktyget.
- **Använd inte skadade klingor. Innan du använder verktyget, måste du kontrollera om klingan är trasig eller sprucken. Om du tappar elverktyget eller klingan, måste du kontrollera att den är**

oskadd eller installera en hel klinga. Efter att du har kontrollerat elverktyget eller installerat en ny klinga, ser du till att varken du eller någon kringstående står framför klingan och kör sedan elverktyget fritt på dess högsta hastighet i en minut. Skadade hjul faller normalt isär under en sådan testkörning.

- **Använd personlig skyddsutrustning. Beroendes på arbetet som utförs, bör du använda visir eller skyddsglasögon. Vid behov bör du även använda dammskyddsfiltre, öronskydd, skyddshandskar och förkläden kraftiga nog att stoppa partiklar från klingan eller arbetsstycket.** Skyddsglasögonen måste kunna stoppa flygande fragment från arbetet. Dammfilterskyddet eller andningsmasken måste kunna filtrera bort partiklarna som orsakas av arbetet. Att utsättas för höga ljud under längre tid kan orsaka hörselskador.
- **Håll kringstående på ett säkert avstånd från arbetsområdet. Alla som beträder arbetsområdet måste bära skyddsutrustning.** Fragment från arbetsstycket eller trasiga tillbehör kan slungas iväg och skada personer som befinner sig bortom det omedelbara arbetsområdet.
- **Håll alltid enbart elverktyget i de isolerade greppytorna om klingan kan komma i kontakt med dolda ledningar eller sin egen sladd.** Klingor som kommer i kontakt med en strömförande ledning kan göra exponerade metalldelar ledande och ge användaren en elektrisk stöt.
- **Håll sladden borta från tillbehör i rörelse.** Om du tappar kontrollen över verktyget, riskerar sladden att kapas eller fastna och din hand eller arm kan dras in i den roterande klingan.
- **Lägg aldrig ner elverktyget tills insatsen har stannat helt.** Klingan kan fastna i underlaget och göra att du tappar kontrollen över verktyget.
- **Låt inte elverktyget gå medan du bär det vid sidan av dig.** Insatsen riskerar att fastna i dina kläder och komma i kontakt med kroppen.
- **Rengör elverktygets ventiler regelbundet** Motorfläkten drar in dammet i huset, och om metallpulver ackumulerar kan det orsaka en elfara.
- **Använd inte elverktyget nära brandfarliga material.** Materialet riskerar att antändas av gnistor.

Kast och andra varningar

- Kast riskerar att uppstå om klingan fastnar eller kläms. Detta orsakar att klingan stoppas plötsligt och att elverktyget kastas i motsatt riktning från klingans rotationsriktning. Om en slipl klinga till exempel fastnar i eller kläms fast av arbetsstycket, kan kanten på hjulet gräva sig in i materialet och klättra eller kastas ut. Hjulet kan antingen kastas mot eller bort från användaren, beroendes på hjulets rotationsriktning. Slipl klingan riskerar också att gå sönder. Kast uppstår på grund av felaktig användning och/eller felaktiga metoder och förhållanden, och kan undvikas genom att vidta nedanstående försiktighetsåtgärder.
- **Håll elverktyget stadig och se till att kroppen och armens ställning låter dig stå emot plötsliga kast. Använd alltid extrahandtaget, om det ingår, för att behålla kontrollen i händelse av kast eller vridmomentstryck.** Operatören kan behålla kontrollen i händelse av kast eller vridmomentstryck om rätt försiktighetsåtgärder har vidtagits.
- **Håll aldrig handen nära verktygsinsatsen medan den roterar.** Tillbehöret kan kasta bakåt över handen.
- **Stå inte med kroppen direkt bakom klingan.** I händelse av kast slungas verktyget i motsatt riktning från klingans rörelseriktning.
- **Var särskilt försiktig när du arbetar med hörn, skarpa kanter etc., och undvik att låta verktygsinsatsen studsas och fastna.** Hörn, skarpa kanter och studsande innebär att verktygsinsatsen riskerar att fastna och kastas bakåt eller göra att du tappar kontrollen över verktyget.
- **Fäst inte sågkedjor, träkarvningsklingor, segmenterade diamanatklingor med ett avstånd på 10 mm eller mer, eller tandade sågklingor.** Sådana klingor orsakar ofta kast och gör att användaren tappar

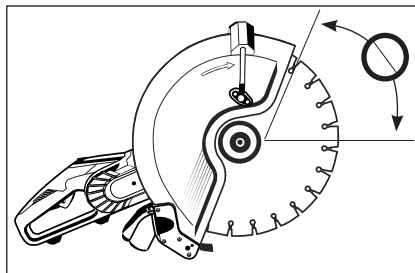
kontrollen.

- **Försök inte blockera klingan eller applicera för stor kraft på den. Försök inte att såga för djupt.** Om du överbelastar klingan ökar det risken för att klingan fastnar i snittet, vilket kan orsaka kast eller att klingan går sönder.
- **Om hjulet fastnar eller om kapningen av någon anledning störs, stänger du av elverktyget och håller det stilla tills klingan har stannat helt. Försök inte ta ut klingan från snittet medan den rör sig då detta riskerar att orsaka kast.** Kontrollera och åtgärda anledningen till att klingan fastnade.
- **Fortsätt inte att såga i arbetsstycket. Låt klingan nå full hastighet och fortsätt försiktigt med kapningen.** Klingan kan fastna, klättra eller kasta om elverktyget startas om medan det ligger i arbetsstycket.
- **Använd bockar på stora arbetsstycken för att minska risken för kast och att hjulet kläms.** Stora arbetsstycken sviktar ofta under sin egen vikt. Bockarna placeras under arbetsstycket nära kaplinjen och nära kanten på arbetsstycket på båda sidorna av klingan.
- **Var särskilt försiktig om du gör en ficksågning i befintliga väggar eller andra osynliga områden.** Den utskjutande klingan riskerar att kapa gasledningar, vattenledningar, elledningar eller föremål som kan orsaka kast.

Säkerhetsvarningar för kapverktyg – Ytterligare säkerhetsregler

WARNING: Undvik att såga med den övre delen av klingan, särskilt när du börjar såga. Denna del av klingan har en särskilt stor risk att orsaka kast.

WARNING: Om du sågar i plast får plasten inte smälta. Om plasten smälter kan den fastna i klingan och orsaka kast.

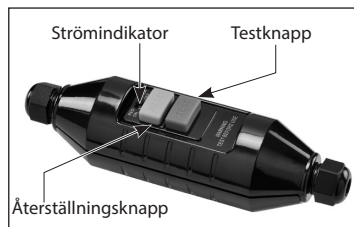


ELANSLUTNINGAR

Nätspänningen måste motsvara spänningen på elverktygets typskylt. Elverktyget får under inga omständigheter användas om dess elkabel är skadad. Den skadade kabeln måste omgående bytas ut hos ett behörigt kundcenter. Försök inte reparera den skadade kabeln själv. Skadade elkablar kan orsaka elolyckor.

WARNING: Försök inte använda maskinen om den är skadad. Märk alltid skadade maskiner och använd dem inte tills de har reparerats.

WARNING: Dessa maskiner är försedda med en jordfelsbrytare. Använd alltid maskinen med jordfelsbrytaren för att minska risken för elolyckor. Placera alltid jordfelsbrytaren så nära strömkällan som möjligt. Testa och återställ jordfelsbrytaren varje gång den ska användas. Tryck på testknappen för att testa jordfelsbrytaren. Tryck på återställningsknappen för att strömsätta maskinen.



Obs: Jordfelsbrytarens utseende skiljer sig åt beroende på de respektive regionernas krav. Bilderna är enbart avsedda som exempel

INLEDNING

Maskinen har två handtag och ett klingskydd. Motorn har överbelastningskydd och överhettningsskydd. Den har ett inbyggt vattenmatningssystem, vilket krävs för att såga med diamantklingor, och den har en jordfelsbrytare. Maskinen får enbart användas med diamantklingor eller slipklingor. Maskinen är avsedd för att såga murverk, sten, betong, armerad betong och liknande material. All annan användning är förbjuden.

INNEHÅLLSFÖRTECKNING

- Betongsåg
- Hjulfäste
- M17 Kombinationsnyckel
- Stänkskydd
- Plankapningssats

MONTERING

- Montera klingan (Se avsnittet Montera klingan nedan)
- Montera hjulfästet om så önskas (Se avsnittet Hjulfästet nedan)
- Montera klingskyddet (Se avsnittet Klingskyddet nedan)
- Montera stänkskyddet (Se avsnittet Stänkskyddet nedan)

Diamantklingor

Tillåtna klingor

Denna maskin får enbart användas med diamantklingor eller slipklingor

- Enbart segmenterade eller kontinuerliga diamantklingor får användas.
- Om diamantklingan är segmenterad, är det högsta tillåtna avståndet mellan segmenten 10 mm, och spånvinkeln måste vara negativ.
- Enbart diamantklingor på 405 mm (16 tum) eller mindre får användas.
- Klingan måste vara minst 2,4 mm tjock, och får inte vara tjockare än 6,35 mm

* Klingans kärna måste vara minst 2,2 mm bred och får inte vara bredare än 3,5 mm

Förvara och transportera klingan

Maskinen får inte transporteras eller förvaras medan klingan är monterad. Ta av klingan och förvara den så att den inte riskerar att böjas eller skadas medan maskinen inte används.

Om klingan är skadad kan den bli obalanserad och utgöra en fara. Kontrollera alltid att nya klingor inte har skadats medan de har transporterats eller förvarats.

Om diamantklingor

Diamantklingor består av en stålkärna omgiven av diamantsegment.

Diamantklingor finns med olika hårdheter för murverk, sten, betong, armerad betong etc.

Vissa diamantklingor är konstruerade för att enbart användas med vatten, medan andra är konstruerade för att användas i torrt tillstånd. Se tillverkarens instruktioner för den respektive klingan.

Även om klingan är konstruerad för att användas utan vatten, fungerar diamantklingor som regel bäst med vatten. Torrkapning bör enbart användas i situationer där vatten inte kan eller inte bör användas. Vattnet förhindrar att klingan överhettas, minskar mängden skadligt damm som uppstår under kapningen, avlägsnar slam från arbetsområdet och förlänger klingans livslängd. Torrkapning av väldigt hårda material som porslin eller armerad betong kan snabbt slita ut klingan och orsaka fel.

De diamantimpregnerade segmenten använder kontrollerad erosion. Bindningen som håller fast diamanterna slits kontinuerligt ner vid kontakt med arbetsstycket, vilket blottar de hårdare diamanterna i bindningen.

Klingor som är gjorda för att kapa hårdare material har en mjukare bindning, vilket gör att diamanterna sticker ut snabbare. I gengäld varar de inte lika länge. Klingor som är gjorda för att kapa mjukare, nötande material har en hårdare bindning, vilket hjälper dem att stå emot materialets nötningsförmåga och gör att de varar längre.

När bindningen har slitits ner nog och inga fler diamanter blottas blir klingan slö. Detta kallas glasering. Om klingan slutar såga har den glaserats.

Se avsnittet **”Vässa en glaserad klinga”** nedan

Undvik plötsliga rörelser då dessa kan skada klingan. Om du å andra sidan är för försiktig riskerar diamantsegmenten att glaseras. Såga i stadig takt.

Var noga med att hålla klingan rätvinklig mot sågsnittet. Om klingan är böjd kommer den enkelt att fastna. Om du kapar armerad betong och stöter på armeringsjärn måste du vara särskilt försiktig. Minska matartrycket med cirka en tredjedel och låt klingan gå i sin egen takt. Om den vibrerar för mycket riskerar klingan att gå sönder.

När klingan har kommit igenom stålet, fortsätter du som vanligt.

OBS: Använd aldrig en fuktig diamantklinga utan vatten. Klingan kommer att överhettas och gå sönder.

OBS: Om du använder en torr klinga får den inte överhettas. Undvik att såga längre än 60 sekunder åt gången, och kör klingan 10 sekunder i luften för att kyla ned den mellan varje pass.

Montera alltid klingan så att pilen överensstämmer med maskinens rotationsriktning. Rotationsriktningen anges alltid med en pil på klingskyddet.

WARNING: Använd aldrig en klinga för att kapa något annat än dess avsedda material.

VÄSSA EN GLASERAD KLINGA

Diamantklingor kan bli glaserade (slöa). När diamantsegmenten har blivit glaserade, kommer klingans skärförmåga att försämras och segmenten överhettas. För att vässa klingan, minskar du vattenflödet och gör några snitt i ett väldigt mjukt, nötande material som tegelsten eller en slipsten av aluminiumoxid eller silikonkarbid.

MONTERA KLINGAN

Börja med att kontrollera att maskinen är urkopplad.

Använd sedan 17 mm kombinationsnyckeln för att vrida spindelbulten samtidigt som du trycker in spindellåset. När spindeln når rätt position, låter du spindellåset låsa sig. Du kan sedan lossa spindelbulten och avlägsna ytterflänsen.

Maskinens innerfläns är 25,4 mm (1 tum). Kontrollera att storleken på klingans hål överensstämmer med innerflänsen.

Kontrollera klingan innan du använder den. Klingan får inte var sprucken, böjd eller skadad på något vis då detta kan orsaka en olycka om den används. Lösa diamantsegment kan slungas iväg vid höga hastigheter och orsaka personskador. Kontrollera alltid att diamantsegmenten inte har eroderat. Om diamantsegmenten är tunnare eller nästan tunnare än klingans kärna, kommer sågsnittet att vara för smalt och kan enkelt orsaka kast.

Se till att flänsarna och klingans hål är rena och hela, och att alla delar passar. Flänsarna får inte användas om de är böjda, ojämna, smutsiga eller om de har gradning. Spindelbulten och spindelgängorna måste vara hela. Kontrollera om segmenten, spindelhålet eller någon annan del av klingan är skadad.

Den utskjutande kanten på innerflänsen ska vara riktad mot klingan. Montera klingan mot innerfästet och lägg till ytterflänsen. Sätt i spindelbulten och dra åt den till 15–25 Nm.

WARNING: Försök inte montera klingor som inte passar maskinen. Belastningen kommer att bli excentrisk och orsaka vibrationer som gör maskinen omöjlig att kontrollera.

JUSTERA KLINGSKYDDET

Klingan roterar medurs som sett från spindeländan. Det innebär att större delen av spånen, gnistorna och slammet kastas bakåt. Klingskyddet måste justeras så att dess bakre kant ligger mot arbetsstycket.

JUSTERA

Dra först ut låsspaken mot fjäderspänningen, och vrid sedan klingskyddet till önskat läge. Lägg låsspaken i närmaste öppning på skyddet för att låsa det på plats.



KLINGSKYDDSBORSTE

Det finns en avtagbar borste längst bak på klingskyddet som håller borta gnistor, damm, spån och slam. Borsten installeras genom att skjuta in den i öppningen på undersidan av dammportsfästet tills den klickar till. När borsten behöver bytas ut är det bara att dra ut den.

STÄNKSKYDD

Det fjäderbelastade stänkskyddet hjälper till att hålla borta slam som kastas bakåt.

För att installera stänkskyddet, trycker du det på plats på baksidan av dammportsfästet. För att ta bort det, lutar du det uppåt tills det lossnar.

Om stänkskyddet inte behövs, till exempel vid torrkapning, kan du lyfta det ur vägen. Koppla helt enkelt hankopplingen på skyddet i honklippet på fästet. Koppla loss dem för att frigöra skyddet.

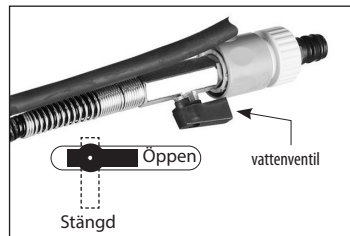
VATTENANSLUTNING

Vatten är ett grundläggande krav för att såga med våta diamantklingor. Vattnet kyler ned diamantsegmentens arbetsyta och förhindrar att de överhettas.

Vattnet håller också borta damm och spolar bort nötande partiklar.

VARNING: Använd alltid jordfelsbrytaren om du sågar med vatten

VARNING: Låt aldrig vatten tränga in i motorn. Detta kan orsaka en olycka.



VARNING: Kontrollera alla vattensystemets anslutningar så att de inte läcker. Kontrollera slangarna och alla andra viktiga delar som kan försämrats.

VARNING: Vattentrycket får inte överstiga 4 bar (70 psi).

Använd en vattenuppsamlare med en våtdammsugare för att samla upp kylvattnet om närliggande föremål riskerar att skadas av vattnet. Vattensystemet är inbyggt i maskinen. För att ansluta maskinen till vattenförsörjningen, drar du först i snabbkopplingen för att avlägsna honändan av vattenkopplingen. Skruva loss muttern och anslut kopplingen till vattenslangen. Anslut sedan vattenkopplingen till hanvattenventilen. Tryck in den tills du hör ett klick.

Vattenflödet styrs av vattenventilen. Mängden vatten som leds till klingan kan finjusteras för att uppnå den nödvändiga volymen.

OBS: Föroreningar i vattnet kan enkelt täppa till de små vattenmunstyckena i klingskyddet. Se till att vattnet är rent. Om inget vatten når klingan, rengör du maskinens vattensystem.

HJULFÄSTET

Styrhjulen gör det enkelt att hålla klingan rätvinklig mot arbetsstycket. För att installera hjulen lossar du vingskruven något och fäster de fyra klorna i öglorna på undersidan av motorhuset. Sedan drar du åt vingskruven igen.



ANVISNINGAR FÖR AVJÄMNINGSSATS

INLEDNING

Avjämningsssatsen gör det möjligt att montera ett avjämningsblad (medföljer inte) på maskinen. Det här gör att man kan utföra avjämnningar när det yttre bladskyddet har tagits bort tillfälligt.

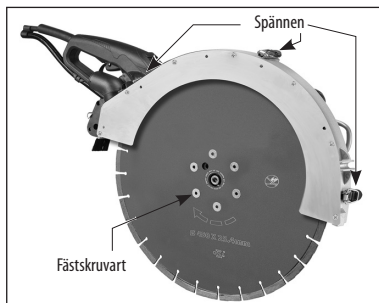
INNEHÅLLSFÖRTECKNING

1. Avjämningsfläns
2. Fästbult med invändig sexkant och bricka
3. Skruvar med invändig sexkant och platt huvud x 6
4. M5 L-insexnyckel
5. M8 L-insexnyckel
6. Avjämningsskydd & försänkta skruvar x 7

MONTERING

För att montera avjämningsssatsen avlägsnar du först standardfästbulten, flänsar och blad enligt bruksanvisningen.

1. Koppla bort vattenslangen från vattenmunstycket på det yttre bladskyddet och anslut den till det alternativa vattenmunstycket på det inre bladskyddet.
2. Lossa stänkskyddet och avlägsna de 7 skruvarna som håller fast det yttre bladskyddet.
3. Lossa de 3 excenterlåsen och knäpp fast de lösa hasparna i plastklämmorna för att förhindra att det skramlar.
4. Lyft bort det yttre bladskyddet och förvara det på en säker plats.
5. Montera avjämningsflänsen på spindeln och fäst dem med brickan och fästbulten med invändig sexkant. Aktivera fästlåset och dra åt fästkraven ordentligt med M8 L-insexnyckeln.



WARNING: Använd inte distanshållare eller flänsar under avjämningsflänsen!

6. Montera avjämningsbladet på flänsen, rikta upp hålen och skruva in de försänkta skruvarna med invändig sexkant. Använd M5 L-insexnyckeln för att dra åt skruvarna jämnt och diagonalt.
7. Montera avjämningsskyddet och fäst de 7 försänkta skruvarna.

WARNING: Använd inte om inte avjämningskyddet har monterats.

8. När avjämningsarbetet är klart ska sågen omedelbart återställas till sin standardskonfiguration.

OBS: Det finns ungefär 1 mm eller mindre effektiv förskjutning (beroende på hur tjocka diamantsegmenten är).

Men eftersom bladskyddet har en viss grad av flexibilitet, kan man trycka ner det en aning för att avjämna materialet helt. Vi faktiskt kapningen resulterar det i 100 % avjämnning. Det måste finnas en liten grad av förskjutning så att bladet inte gör virvelmärken i basmaterialet när detta är viktigt. Använd inte någon

nedåtkraft för att undvika virvelmärken, och använd lätt nedåtkraft för att få 100 % avjämning.

WARNING: Använd alltid maskinen med det yttre bladskyddet på plats när du utför standardskärning. Använd aldrig maskinen om det yttre bladskyddet avlägsnats, förutom när du utför avjämning.

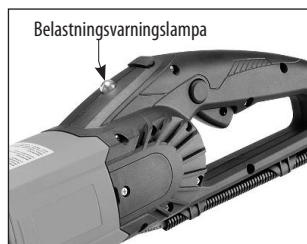
WARNING: Kontrollera regelbundet att monteringskruvarna och fästskruven är åtdragna.

WARNING: Stanna maskinen omedelbart om du känner onormala vibrationer under drift och åtgärda orsaken innan du fortsätter.

ÖVERBELASTNINGSSKYDD, ÖVERHETTNINGSSKYDD

Överbelastning och belastningslampa

När den högsta belastningen uppnås kommer belastningslampan att blinka rött. Om den högsta belastningen överstigs och behålls för länge, kommer motorn att stängas av och belastningslampan kommer att lysa rött. I sådana fall måste motorn stängas av och startas om.



Överhettningsskydd

Om motorns temperatur blir för hög, kommer överhettningsskyddet att stänga av motorn. I sådana fall måste brytaren stängas av och startas om.

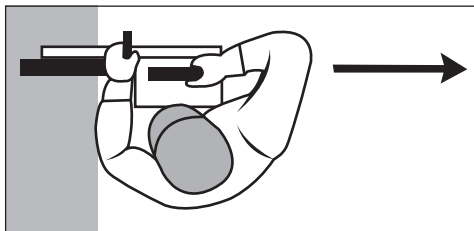
Om detta händer, börja inte omedelbart kapa efter att motorn har startats om. Kör maskinen utan belastning i några minuter tills den återgår till normal drifttemperatur innan du fortsätter.

WARNING: Motorn kommer att skadas om den överbelastas eller överhettas upprepade gånger. Låt alltid motorn svalna genom att köra den utan belastning i några minuter närhelst den stoppar på grund av att den överhettas eller överbelastas.

ANVÄNDNING

Hur du håller maskinen

- Håll alltid maskinen med båda händerna, med höger hand på huvudhandtaget och vänster hand på sidohandtaget. (Detta gäller även om användaren är vänsterhänt.)
- Stå inte rakt bakom eller framför klingan. Stå istället så att du inte är i vägen för klingan även om den kastar.
- Luta dig aldrig i vägen för klingan. Det skulle innebära att din kropp hamnar i vägen för klingan om den kastar.
- Kapa aldrig ovanför axelhöjd.
- Kapa aldrig om du står på en stege eller annat ostadigt underlag.

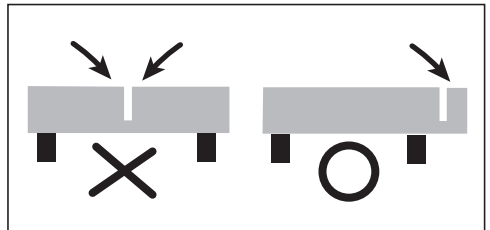


Innan du kapar

- Kontrollera området runt arbetsstycket och se till att det är fritt från föremål som kan orsaka att användaren snubblar.
- Innan du kapar kan det vara praktiskt att markera snittet med en krita eller liknande. För raka snitt kan du använda en träplanka för att styra maskinen så att snittet blir rakt.
- Se till att alla kringstående står på ett säkert avstånd.
- Se till att all säkerhetsutrustning är på plats.

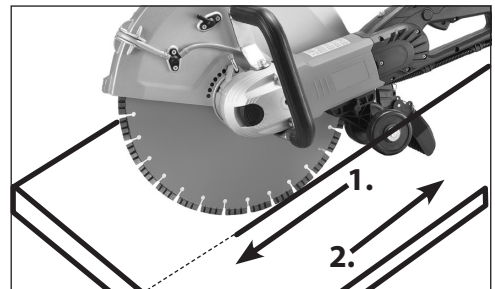
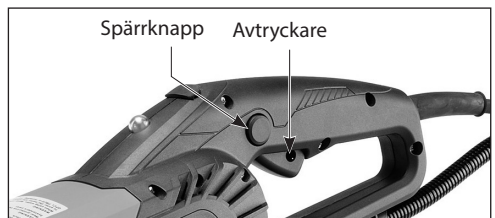
Stötta arbetsstycket

- Arbetsstycket måste stöttas så att klingan inte kläms i snittet.
- Säkra arbetsstycket så att det inte riskerar att rulla, glida eller röra sig på grund av vibrationerna när du sågar.
- Ordningen i vilken du sågar är viktig om gör utskärningar. Se alltid till att det sista snittet görs så att klingan inte kläms. Börja med det nedre horisontella snittet, sedan sidorna och slutligen det övre horisontella snittet.
- Tänk på arbetsstyckets vikt och i vilken riktning det kan falla när det har kapats.
- Om en farlig situation riskerar att uppstå när arbetsstycket har kapats, lämnar du en bit av materialet och slutför kapningen med en kisel eller liknande.



Kapningsmetod

- Håll maskinen med båda händerna för att stå emot startkraften, lossa säkringen och tryck sedan på strömbrytaren.
- Låt maskinen nå sin fulla hastighet innan den kommer i kontakt med arbetsstycket.
- Justera vattenflödet efter behov med vattenventilen.
- Börja sedan kapa försiktigt med den bakre delen av klingan tills du har ett första snitt. Gör det första snittet framåt (så att du kan se snittet). Gör de efterföljande snitten bakåt.
- Försök inte såga för djupt på samma gång. Såga aldrig mer än 50 mm (2 tum) per gång.
- Det är en bra idé att börja med ett grunt första snitt innan du går vidare och sågar huvudsnittet. Det underlättar om du behöver korrigera snittet. Lyft klingan och såga strax framför och sedan tillbaka in i det befintliga snittet. Var noga med att undvika att klingan kläms.
- På runda arbetsstycken använder du en långsam,



jämn fram- och bakåtgående rörelse och kapar med klingans nedre kvadrant.

- Låt inte maskinen fastna. Håll nere vattentrycket så att klingan fortsätter att rotera snabbt.
- Belasta inte klingan från sidan när den ligger i snittet.
- Att såga i betong utgör en väldigt stor belastning på motorn: Efter att snittet är klart, bör maskinen köras utan belastning en kort stund för att motorn ska svalna innan den stoppas.

Stoppa

Släpp strömbrytaren för att stoppa maskinen. Efter att du har släppt strömbrytaren kommer klingan att fortsätta att rotera en stund.

VARNING: Sätt inte ner maskinen tills klingan har slutat röra sig.

Obs: Se alltid till att dammsugarpåsen inte är för full. Om dammsugarpåsen blir full påverkar det dess förmåga att effektivt samla upp damm, vilket kan orsaka dålig kontroll över dammet.

UNDERHÅLL OCH RENGÖRING

Maskinen är konstruerad för att användas under svåra förhållanden. Slammet som uppstår vid våtkapning och dammet som uppstår vid torrkapning sugs in i motorns ventilationsöppningar och tränger in i motorn. Slam från tegel och betong innehåller salter och andra korrosiva ämnen som kraftigt förkortar motorns livslängd eller som orsakar kortslutningar om det ackumulerar.

För att verktyget ska fortsätta att fungera länge är det viktigt att det rengörs varje gång det har använts. Blås tryckluft genom ventilationsöppningarna på baksidan av maskinen medan motorn är igång.

Dagligt underhåll

1. Håll maskinen ren
2. Se till att nätkabeln är i gott skick.
3. Se till att alla skruvarna är åtdragna.
4. Kontrollera all säkerhetsutrustning, såsom klingskyddet
5. Kontrollera att klingan är hel.

Kolborstar

Kolborstar är en normal slitdel och måste bytas ut när de börjar slitas ut. Maskinens kolborstar har en automatisk Om maskinen plötsligt stoppar, bör du kontrollera borstarna. Den automatiska stoppfunktionen är avsedd att skydda motorn genom att stoppa maskinen innan kolborstarna är helt utslitna.

Varning: Byt alltid ut båda borstarna.

Byta ut kolborstarna

1. Ta bort skruvarna och ta av motorskyddet.
2. Använd tångerna för att flytta borstfjäders ur vägen och skjut ut den gamla kolborsten ur borsthållaren.
3. Lossa skruven för att ta bort borstledningen. Du kan nu lyfta bort den gamla kolborsten.
4. Installera en ny borste. Följ stegen för att ta ut borsten i omvänd riktning för att installera en ny borste.
5. Sätt tillbaka motorskyddet.



Om nätkabeln behöver bytas ut, måste detta göras av tillverkaren eller dennes representant för att undvika säkerhetsrisker.

WARNING: Alla reparationer måste utföras av ett behörigt servicecenter. Felaktigt utförda reparationer kan orsaka personskador eller dödsfall.

Kasta inte elverktyg som hushållsavfall!

Enligt Europaparlamentet och rådets direktiv 2002/96/EG om avfall som utgörs av elektriska eller elektriska produkter samt alla tillämpliga nationella lagar, måste elverktyg bortskaffas separat och återvinnas på ett miljövänligt sätt.

Information om buller

Uppmätt i enlighet med EN 60745-2-22

Modellnr: C16

Ljudnivå: Ljudtrycksnivå(L_{pA}): 105,0 dB(A) Ljudeffektnivå(L_{WA}): 116,0 dB(A) $K= 3,0$ dB(A)

Vibrationsnivå: $a_h = 3,9$ m/s² $K = 1,5$ m/s²

Vibrationsnivåerna har uppmätts i enlighet med ett standardiserat test i EN 60745. Det kan användas för att jämföra olika verktyg, och som en preliminär bedömning av exponeringen mot vibrationer när verktyget används i sitt avsedda syfte.

- Att använda verktyget i andra syften, eller med andra eller dåligt underhållna tillbehör, kan innebära en betydande ökning av exponeringsnivån
- när verktyget är avstängt eller om det körs utan att användas, kan innebära en betydande ökning av exponeringsnivån

För att skydda dig mot effekterna av vibrationen, bör du underhålla verktyget och dess tillbehör, hålla händerna varma, och organisera dina arbetsvanor

EU-försäkran om överensstämmelse

•Vi intygar att denna produkt överensstämmer med följande standarder eller standarddokument: EN 60745-1: 2009 + A11: 2010 & EN 60745-2-22: 2011 + A11: 2013, EN 61000, EN 55014 i enlighet med förordning 2006/42/EG, 2014/30/EU, 2011/65/EU

•Teknisk dokumentation finns hos: LEE YEONG INDUSTRIAL CO., LTD., NO.2, KEJIA RD., DOULIU CITY, YUNLIN COUNTY 64057, TAIWAN

You-Chun, Liu
Operation & Engineering

You chun Liu

Chih-Hao, Lai
Approval Manager

chih hao lai

LEE YEONG INDUSTRIAL CO., LTD.,
NO.2, KEJIA RD., DOULIU CITY, YUNLIN COUNTY 64057, TAIWAN 12.30.2016

LEE YEONG INDUSTRIAL CO., LTD.

NO.2, KEJIA RD., DOULIU CITY,
YUNLIN COUNTY 64057, TAIWAN

TEL: 886-5-5518689 (REP)

Fax: 886-5-5518635

