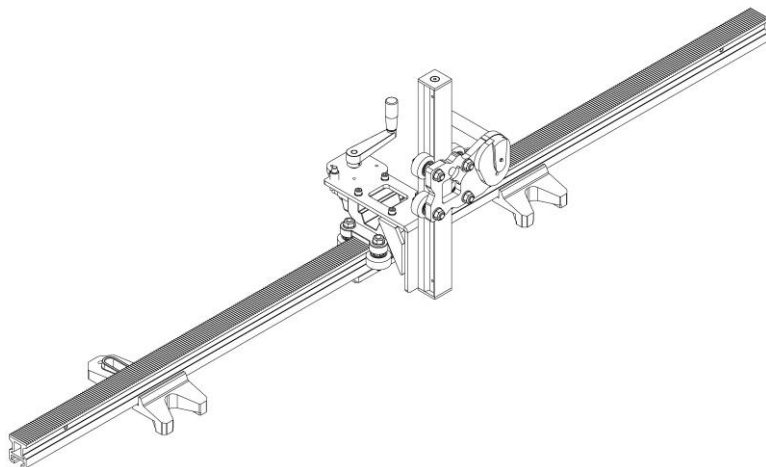


# Operating Manual



## HYCON SawEZ

Revised 01.05.2020

HYCON A/S  
Juelstrupparken 11  
DK-9530 Støvring  
Denmark

Tel: +45 9647 5200

Fax: +45 9647 5201

Mail [hycon@hycon.dk](mailto:hycon@hycon.dk)

[www.hycon.dk](http://www.hycon.dk)





## **Prior to Operation**

We thank you for choosing a HYCON SawEZ Guide Rail.

To ensure smooth operation and long-lasting performance of your new guide rail, we recommend you to study this operating manual carefully and pay special attention to the chapters about

### **Safety and Operating instructions**

We hope you will be satisfied with your new HYCON SawEZ Guide rail

Best regards  
**HYCON A/S**

## **Content**

Prior to Operation.....	1
Content .....	2
Safety Precautions .....	3
Useful Information reg. the use of the guide rail .....	4
Operating Instructions .....	6
Technical Data .....	7
Dimensions .....	8
Service and Maintenance .....	8
Wheel adjustment .....	9
Warranty Terms.....	10
Spare parts list .....	11

## Safety Precautions

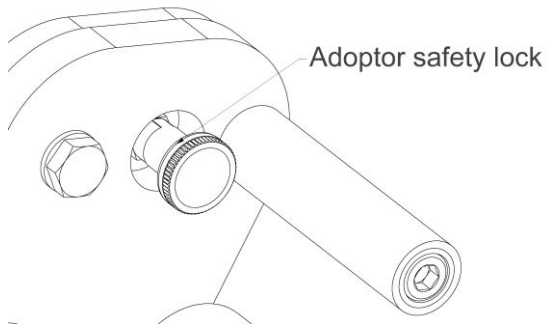
The operator must be properly trained in using the saw and guide rail or under supervision of a qualified instructor.

The operator must always use protective goggles, earplugs, hard hat and shoes when operating the saw and guide rail.

Never wear loose clothing as it may get entangled in the moving parts of the saw or guide rail.

Read the cut-off saw and power source operating manuals prior to use. Following the safety precautions of these products at all time.

Check that the adaptor lock is engaged fully to ensure a safe connection between guide rail and saw. Do not operate the saw unless the lock is engaged.



Do never mount the remote trigger system before the saw is mounted safely in the guide rail.

Start the saw just before you start cutting and stop it again once the cutting is done.

**Continues on next page**

In case of horizontal cutting or cutting above the head, always be aware of material falling.

The saw has an automatic integrated security that makes the saw stop if the diamond disc jams. However, in case of jamming, always loosen the disc from the material, before you start cutting again.

Never leave the cut-off saw when connected to the powerpack.

The operator must pay extra attention and show caution when working in difficult working areas, such as slopes and other dangerous nature of the ground. Do not reach too far with the cut-off saw, but always maintain a good footing and keep your balance.

Never use the saw close to electric cables. Prior to operation, check whether there are hidden or buried cables.

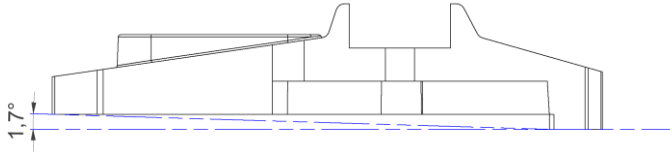
Inspection or cleaning of the saw and guide rail may never be done while the saw is connected to the powerpack, as unintentional activation of the saw can cause severe damage.

## **Useful Information reg. the use of the guide rail**

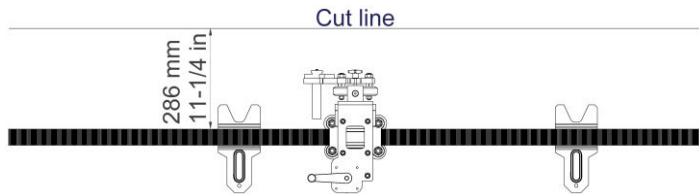
The HYCON SawEZ Guide rail combined with a HCS16/HCS18/HRS400 is a compact tool set with great performance, stability and cutting depth.

It is the perfect setup for cutting in all types of concrete, brick wall etc.

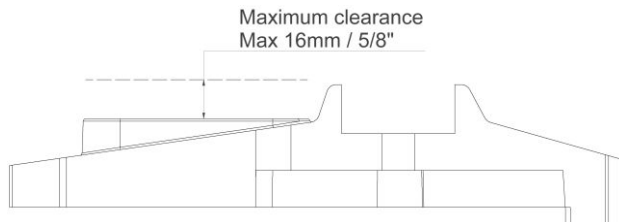
The feet on the guide rail is slightly angled to allow for minor adjustments. The angle is **1,7 degree** as seen on the picture below. Use the screw at the end of the foot to adjust the angle.



The distance from the rail to the cut is **286 mm / 11-1/4 in**, if the correct adapter is installed on the saw, all the saws will be aligned and fit that measurement. Making it ideal for precutting with our cut-off saws and finings off with our ringsaw.



Always use anchor bolts that fits the material the guide rail is installed on. To ensure free movement past the guide rail feet the maximum allowed space for anchor bolts is **16mm / 5/8in** above the feet. See the illustration below.



## Operating Instructions

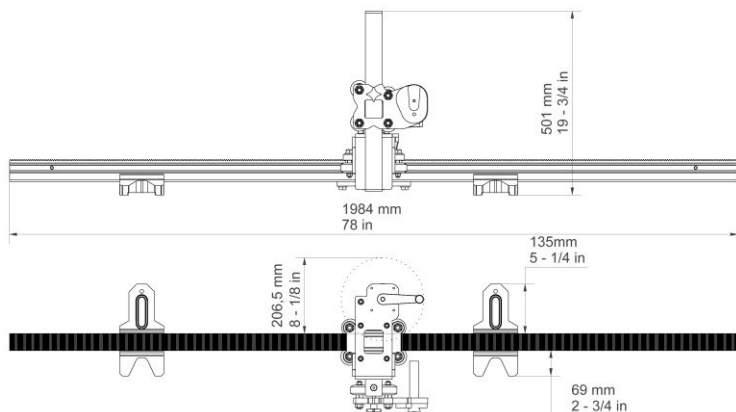
- Install the guide rail to the wall. Ensuring a correct and secure fit.
- Onto the guide rail install the feed sleigh, ensuring the sleigh runs freely. When in a good position activate the feed lock.
- Install the saw onto the guide rail, the saw is only installed correctly if the lock pin is fully engaged.
- Mount the remote triggering system to the saw if wanted.
- Connect the saw to the power source and water supply, activating both.
- Making sure that the depth lock is not engaged the saw can now be started.
- Gently cut until the required depth is reached. Stop the saw and engage the depth lock.
- Start the saw again and disengage the feed lock. Rotate the feed handle to start the cut.
- The feed lock can at any time be engaged by lightly pushing the lever.
- When finished stop the saw, loosen the depth lock and pull out the saw, finishing off by engaging the depth lock again.



## Technical Data

HYCON SawEZ	
Weight without saw	24 kg
Effective cutting length	177 cm
Cutting depth	300 mm w/HRS400

## Dimensions



## Service and Maintenance

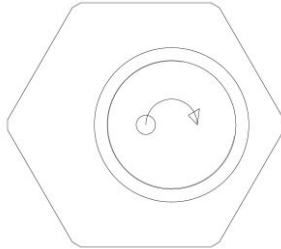
To ensure safe operation and long life the following service/maintenance is required.

Service/Maintenance	<i>Daily</i>	<i>Weekly</i>	<i>Yearly</i>
Clean gear system and wheels	X		
Clean depth rail and wheels	X		
Clean dovetail on rail and saw	X		
Check and adjust wheels		X	

If the guide rail is used in fresh water, rinse it of after every use and use a protecting agent like WD40 to avoid corrosion. If used in seawater please consult your local HYCON dealer.

## Wheel adjustment

2 of the 4 wheels on both the primary and secondary guide rail is eccentric and allows for adjustment of the guide wheels when worn. The larger M12 nut is loosened with a No19 metric spanner while the eccentrically bolt is hold with a No19 metric spanner.



Now the bolt is free to adjust, with the hole in the end of the bolt (see picture above) facing away from the guide rail the wheel is loose, turning it towards the guide rail tightens it. When the preferred feed resistance is received tighten the bolt and nut.

## **Warranty Terms**

We grant 12 months warranty from the first date of operation – however, not more than 18 months from the date of delivery.

The warranty applies to faults that can be related to construction and production errors.

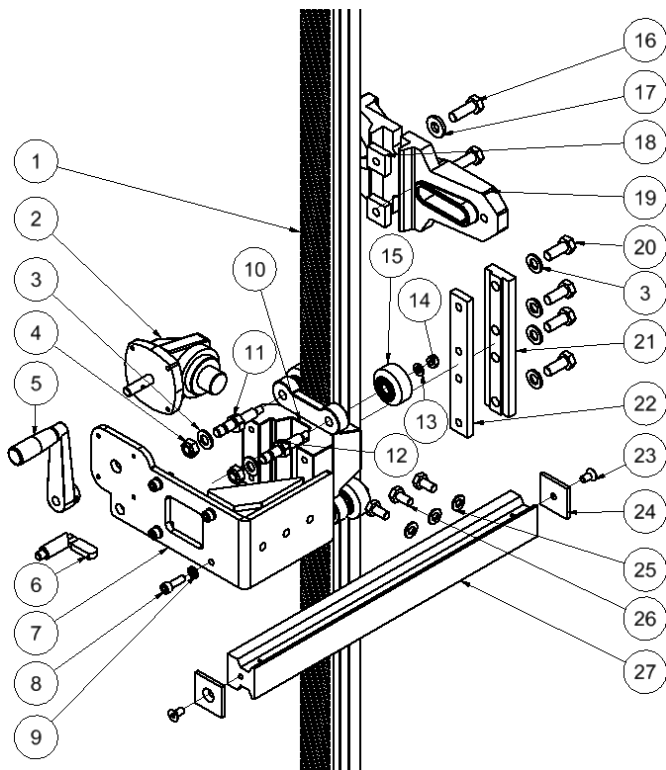
Faults caused by incorrect operation, incorrect handling, lack of maintenance or the like, will not be accepted as warranty.

The warranty covers the parts necessary for repair and the suggested average time needed for repair.

For further warranty details, please contact your local dealer.

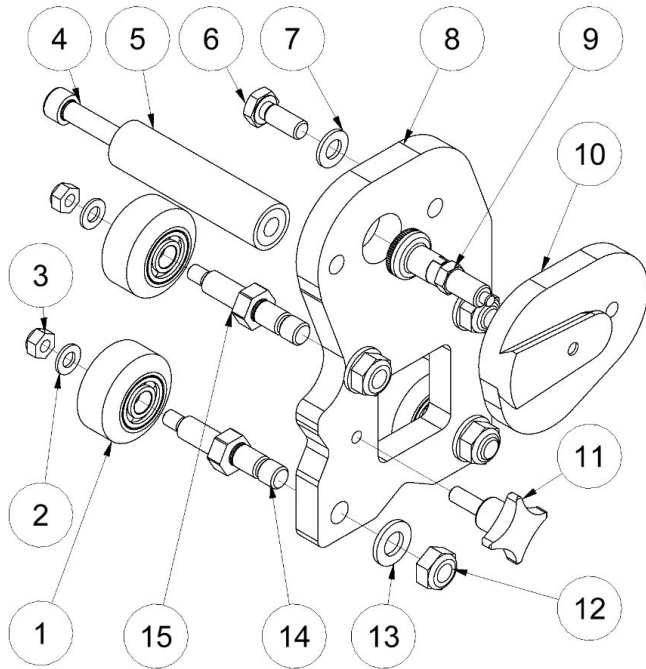
## Spare parts list

Fig. 1 - Main slead



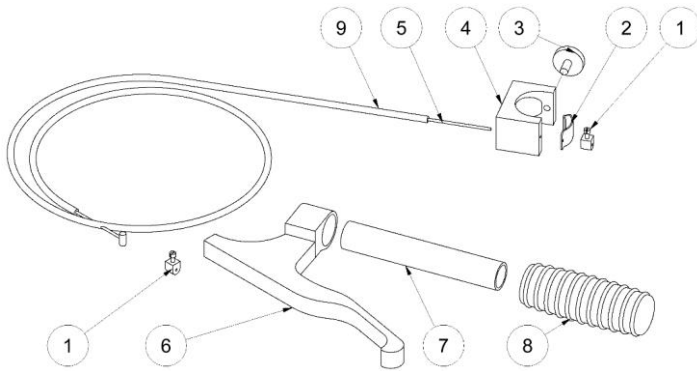
Pos	Item no	Part name	Qty
1	9943465	Tooth rack	2
2	9943466	Gearbox	1
3	7621331	Washer M12	8
4	7631990	Lock nut M12	4
5	9943467	Handle	1
6	7643443	Feed lock	1
7	-	Bracket (Contact HYCON)	1
8	7631496	Screw M8x25	4
9	7632618	Lock washer M8	4
10	9943468	Guide cart	1
11	8243457	Shaft excentric	2
12	8243456	Shaft	2
13	7621171	Washer M8	4
14	7621010	Lock nut M8	4
15	4143448	Wheel	4
16	7621330	Screw M12x35	4
17	9943469	Washer M12	4
18	9943470	Square washer	4
19	9943471	Feet	2
20	7621330	Screw M12x35	4
21	9943472	Extension piece 1	1
22	9943473	Extension piece 2	1
23	7632539	Screw M8x16	2
24	8243442	End piece	2
25	7621172	Washer M10	3
26	7621334	Screw M10x20	3
27	8243441	Guide rail short	1

Fig. 2 – Secondary slead



Pos	Item no	Part name	Qty
1	4143448	Wheel	4
2	7621171	Washer M8	4
3	7621010	Locknut M8	4
4	7643462	Screw M10x120	1
5	9033447	Handle	1
6	7643463	Screw M10x25	1
7	7621172	Washer M10	1
8	8243445	Baseplate	1
9	8643452	Lock	1
10	8243458	Adaptor	1
11	8643451	Lobe knob	1
12	7631990	Lock nut M12	4
13	7621331	Washer M12	4
14	8243457	Shaft ekcentric	2
15	8243456	Shaft	2

Fig.3 – Remote control



Pos	Item no	Part name	Qty
1	7731704	Cable clamp	2
2	8231678	Bracket f/trigger lever	1
3	7631717	Thumb screw M6	1
4	8231672	Cable retainer	1
5	7621805	Throttle wire	1,2
6	7731702	Brake lever	1
7	8143464	Remote handle base	1
8	7721199	Handle grip	1
9	7721659	Cable	

