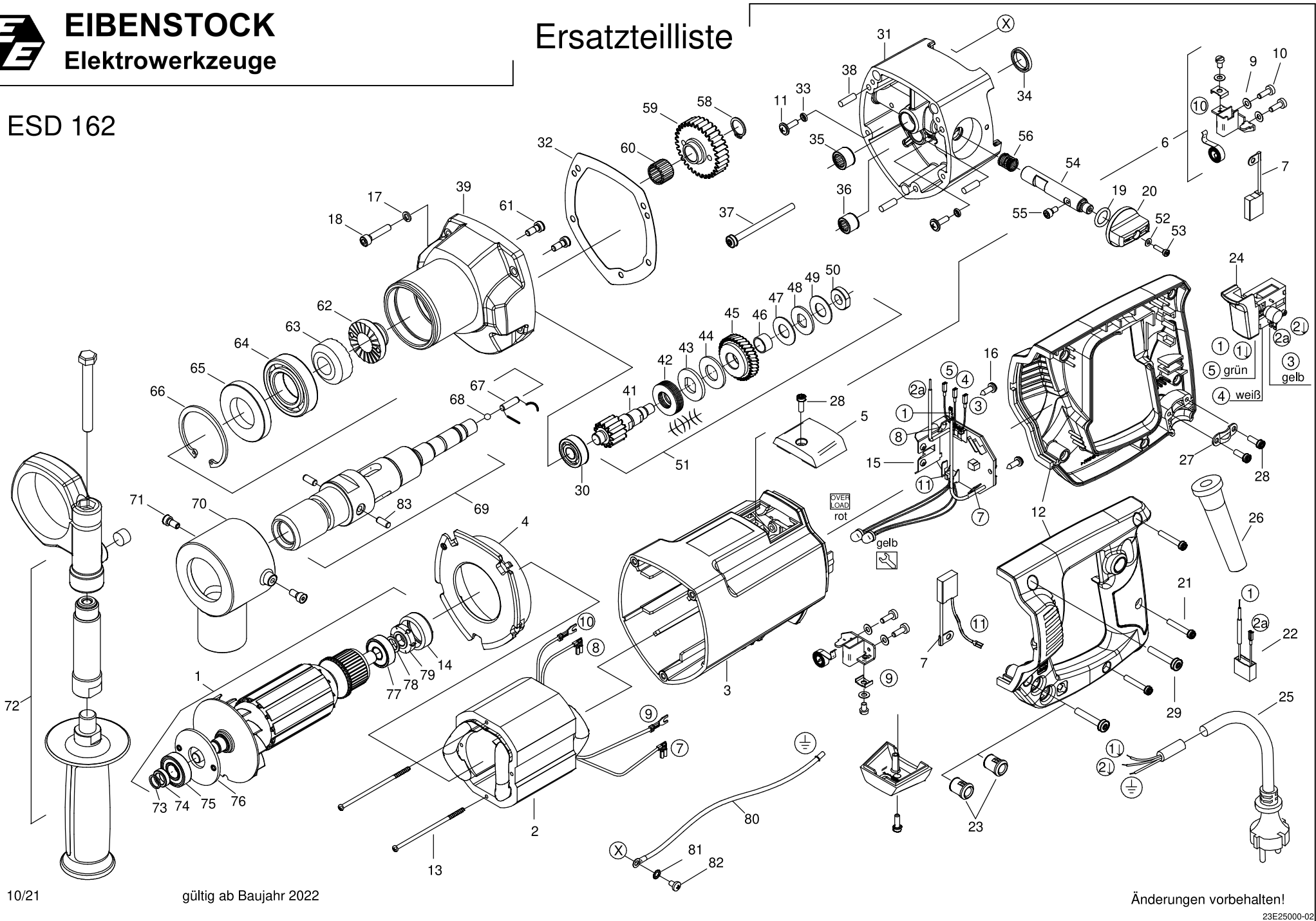




Ersatzteilliste

ESD 162



03E25000 - ESD 162 - 230V Version: 02

Pos.	Description	Item No.	pc.	Pos.	Description	Item No.	pc.
1	Rotor, compl. 230V	73E25100	1	44	Brass washer 28,5x14,1x2	85000084	1
2	Stator, compl. 230V	73E25150	1	45	Clutch wheel	73E25550	1
3	Motor housing	73E31200	1	46	Cylinder bearing 1208 T	80420240	1
4	Air guiding ring	73E31145	1	47	Bronze disc 25x12,1x1	85000083	1
5	Cover pair	73E3121U	1	48	Driving washer	73116496	1
6	Brush holder, compl.	7321722S	2	49	Disc spring 25x12,2x0,9	80200710	1
7	Carbon brush set	73E31220	1	50	Nut M10x1	73211497	1
9	Spring washer 4	80201385	4	51	Clutch, compl.	73E25493	1
10	Screw M4x12	80201180	4	52	Washer 3,2	80201370	1
11	Screw M4x14	80201457	2	53	Screw M3x12	80201149	1
12	Handle pair	73E3126U	1	54	Shaft	73E25527	1
13	Screw 3x78	80201234	2	55	Screw M4x8	80201550	1
14	Bearing cap	83000031	1	56	Compression spring	80200719	1
15	Printed circuit board 230V	73E25280	1	58	Retaining ring 14x1	80201318	1
16	Screw 4,2x13	80201270	2	59	Spindle wheel	73E25430	1
17	Spring lock washer 5	80201302	4	60	Needle cage K14x18x13	80420161	1
18	Screw M5x25	80201127	4	61	Screw M5x12	80201230	2
19	O-ring 12x2,5	83000176	1	62	Ring gear 1	73E25570	1
20	Switch button	73E25540	1	63	Ring gear 2	73E25560	1
21	Screw 4x25	80201412	3	64	Grooved ball bearing 60/28 2RS	80410155	1
22	Capacitor	73E31305	1	65	Sealing washer	73E25426	1
23	LED holder	80601153	2	66	Retaining ring J52x2	80201392	1
24	Switch	80600512	1	67	Parallel pin 5x18	80200619	1
25	Connecting cable 3x1,5mm ² 5m	80600464	1	68	Ball	80410081	1
26	Cable grommet	83000004	1	69	Work spindle	73E25420	1
27	Wire locking flange	85000020	1	70	Suction	73E25980	1
28	Screw 4x12	80201413	4	71	Spring loaded thrust pad	85000331	2
29	Screw 5x30	80201411	2	72	Side handle, compl.	73E31695	1
30	Grooved ball bearing 6000	80410020	1	73	Circlip SW10	80200742	1
31	End shield of gearing	73E2561A	1	74	Sealing bush 10x15x5	73334435	1
32	Gearbox seal	82000444	1	75	Grooved ball bearing 6001 2RS	80410032	1
33	O-ring 3,68x1,78	83000019	2	76	Bearing disc	85000027	1
34	Shaft seal 15x21x3	83000179	1	77	Grooved ball bearing 6000 2Z	80410021	1
35	Needle sleeve HK1210B	80420131	1	78	Seal ring 10x14x1	83000507	1
36	Needle sleeve DL0810	80420111	1	79	Magnetic ring 24x10x6	73641325	1
37	Screw 5x60	80201484	3	80	Ground wire	73E25185	1
38	Parallel pin 5x12	80200574	3	81	Tooth lock washer 4,3	80200752	1
39	Gearbox housing	73E25400	1	82	Screw M4x5	80201448	1
41	Clutch shaft	73E25490	1	83	Parallel pin 5x12	80200574	2
42	Disc spring 28x14,2x1,25	80200715	6				
43	Driving washer	73430499	1				